

COVERT SPY TANK!

BUILDING STEPS

When Dr. Inferno's henchmen want to sneak around without detection, they roll out in the Covert Spy Tank! With anti-radar armor plating, all-terrain wheels and independent rear tires, this open-topped, two-man infiltration and espionage vehicle can slip past all but the most hi-tech Agents scanners both on and off the road. Even when discovered, its side-mounted missile cannons mean that this spy tank is no pushover!

agents.LEGO.com



LEGO AGENTS 2.0

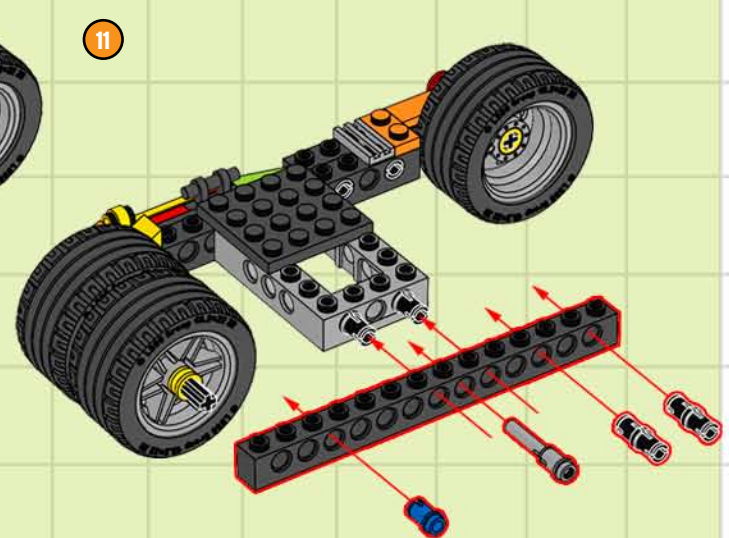
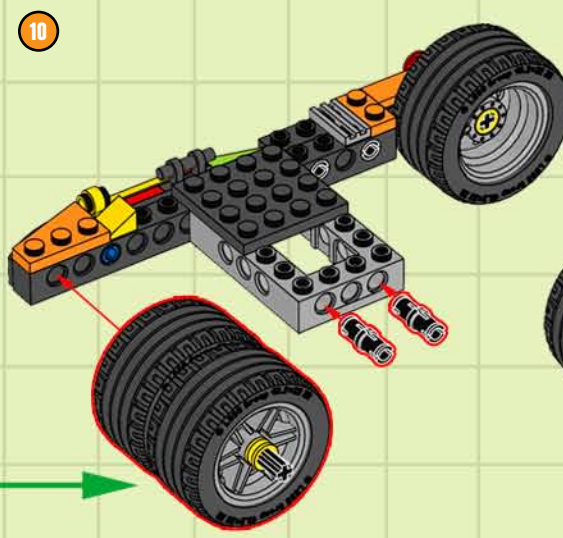
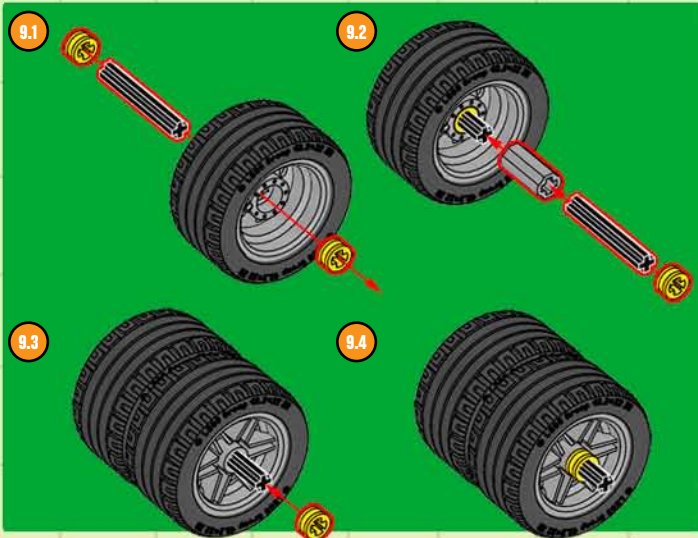
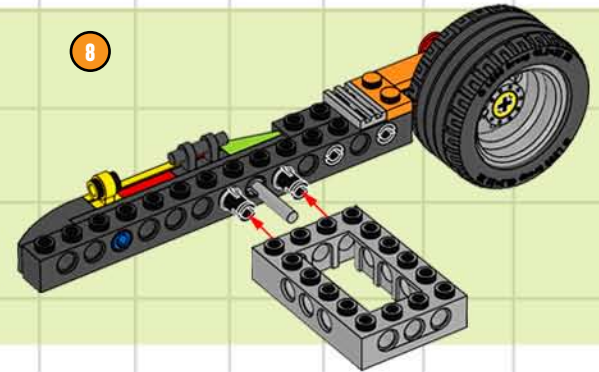
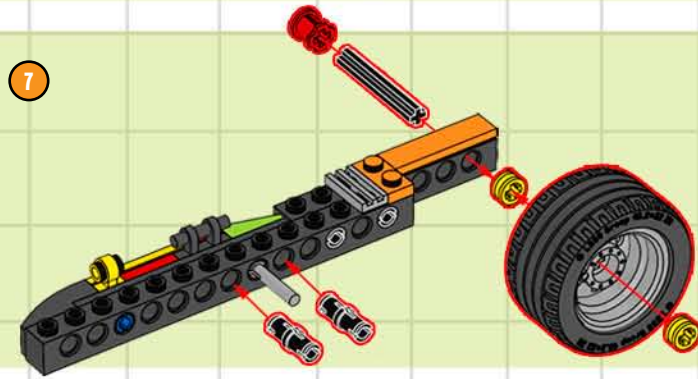
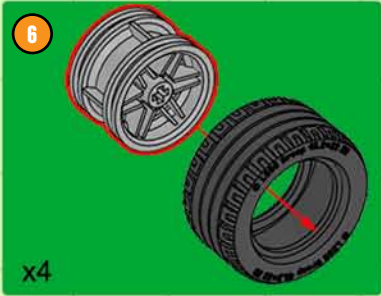
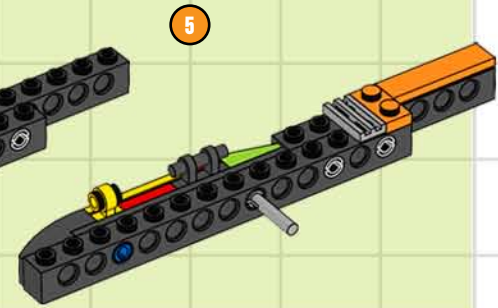
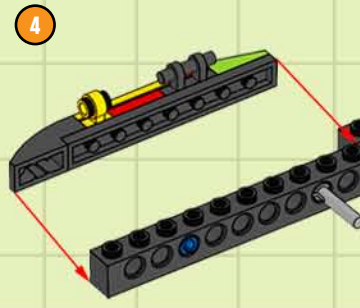
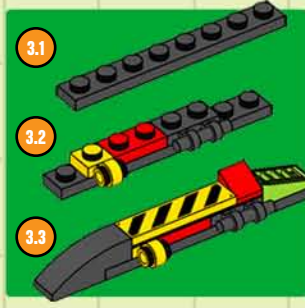
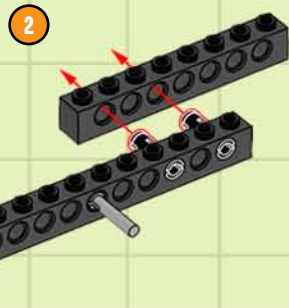
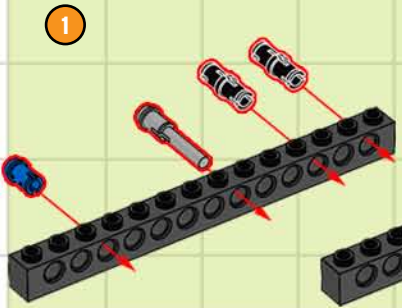
You can build the Covert Spy Tank using pieces From 8968 River Heist and 8969 4-Wheeling Pursuit!



LEGO club

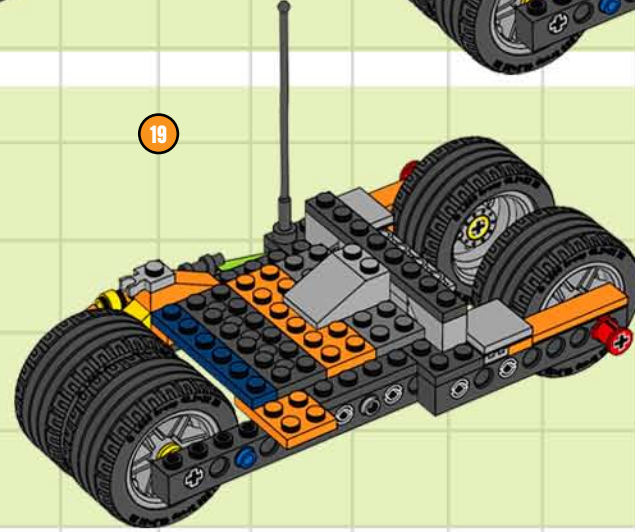
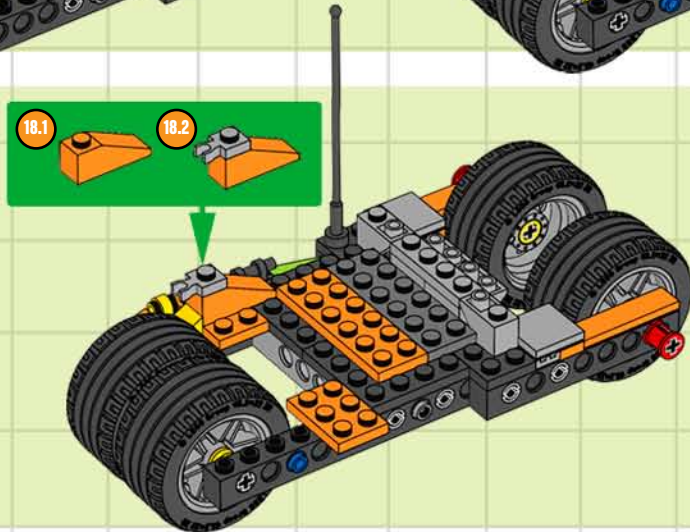
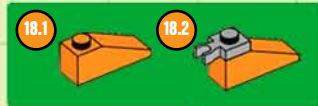
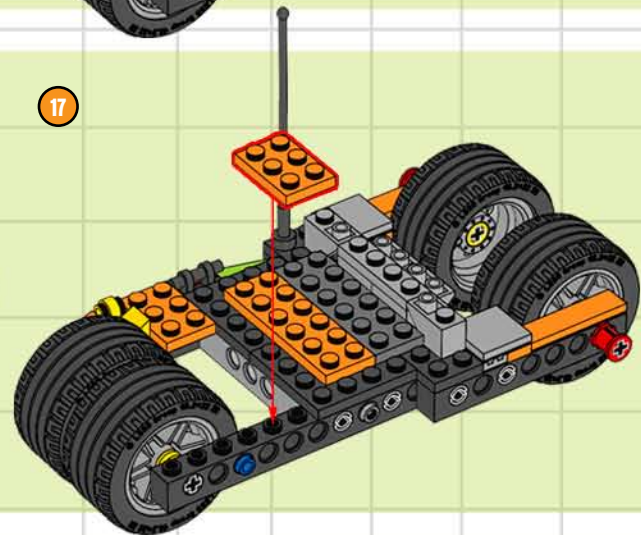
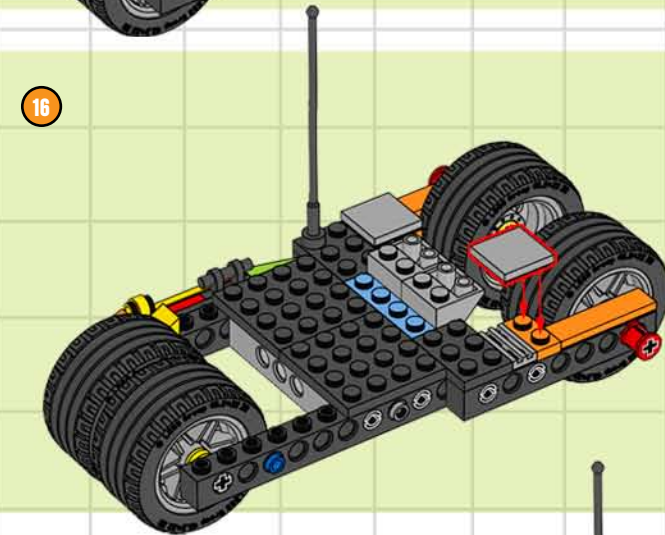
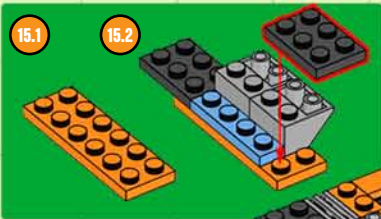
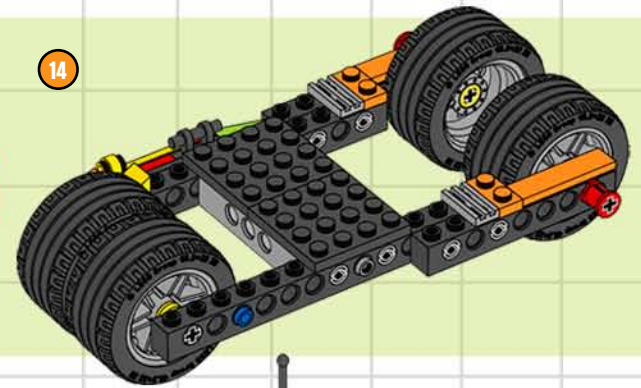
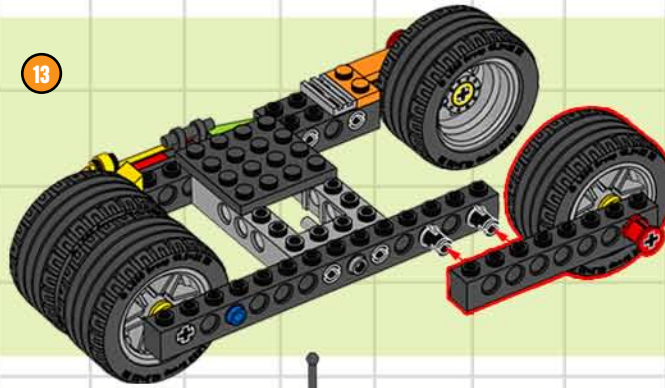
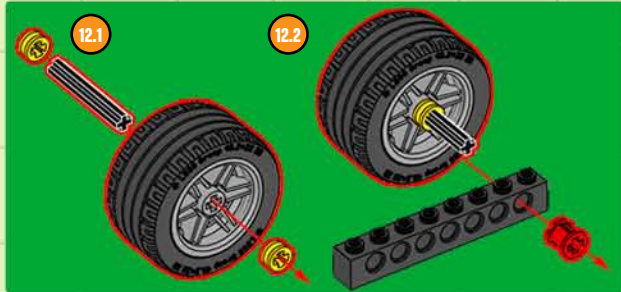
COVERT SPY TANK!

BUILDING STEPS



COVERT SPY TANK!

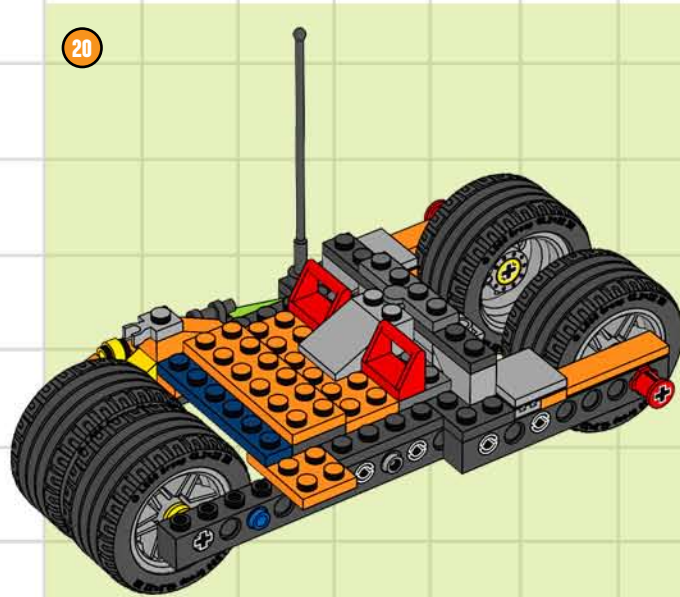
BUILDING STEPS



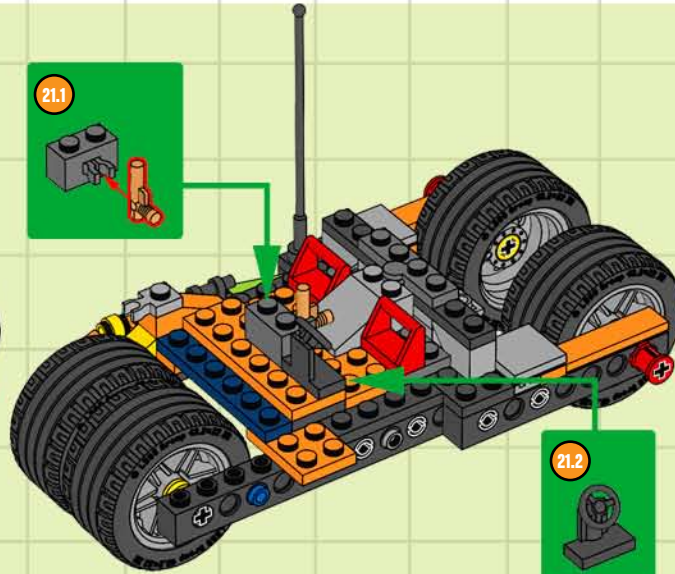
COVERT SPY TANK!

BUILDING STEPS

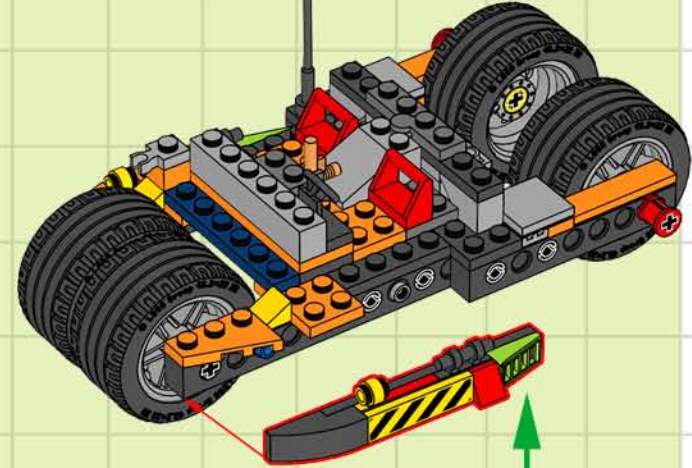
20



21.1



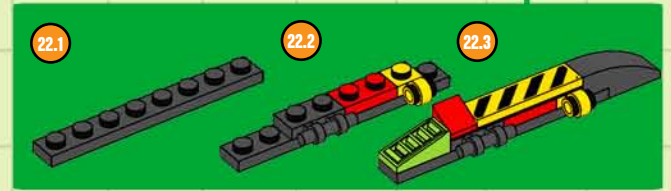
21.2



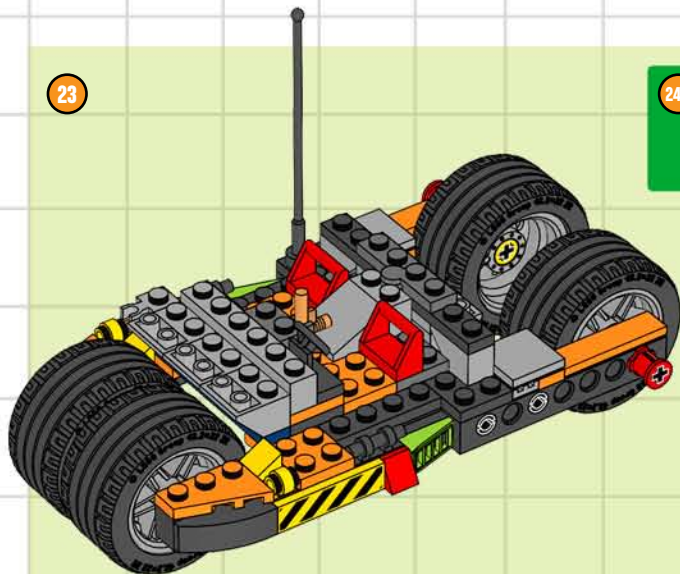
22.1

22.2

22.3

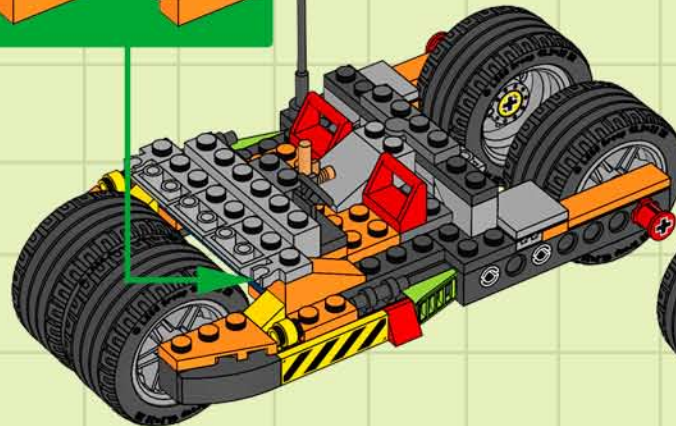
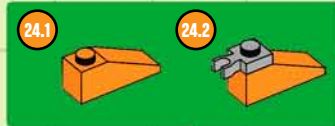


23

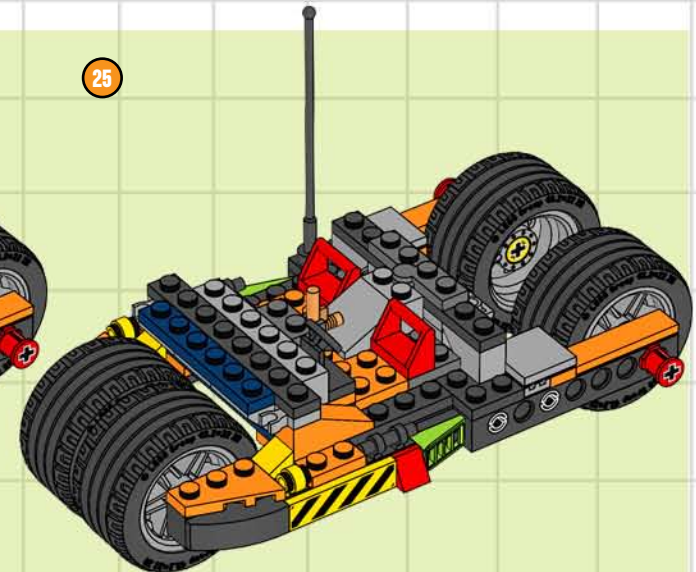


24.1

24.2

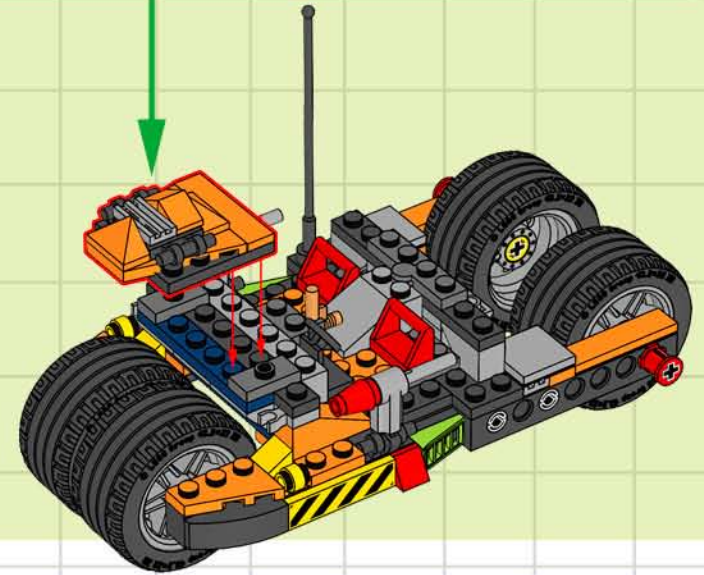
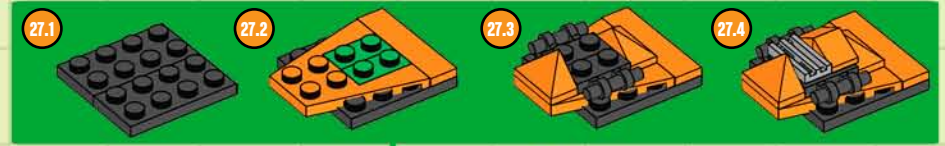
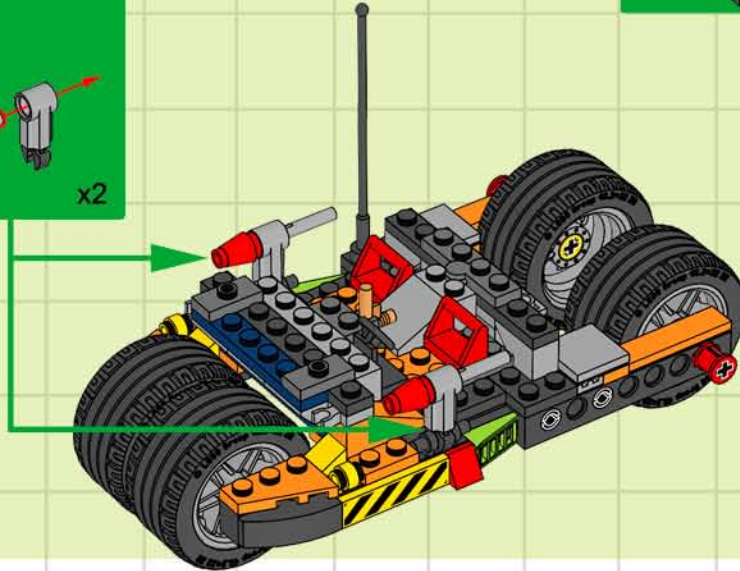
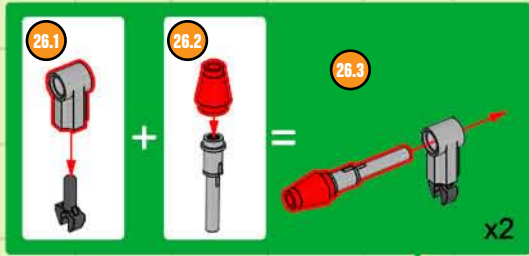


25

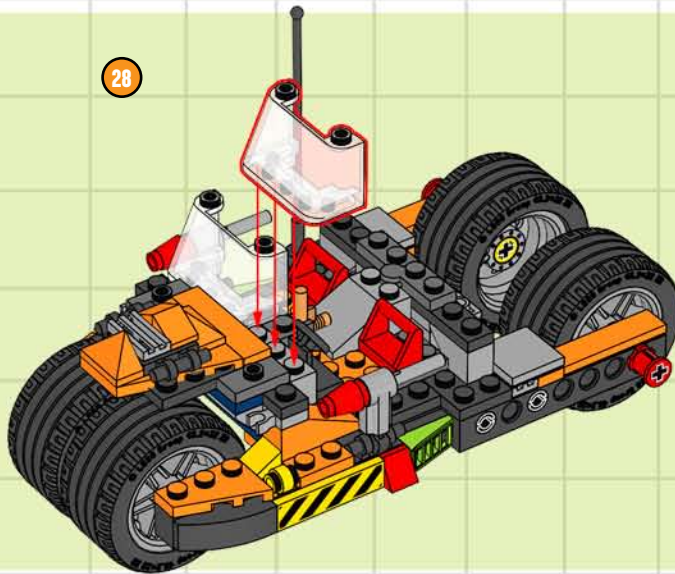


COVERT SPY TANK!

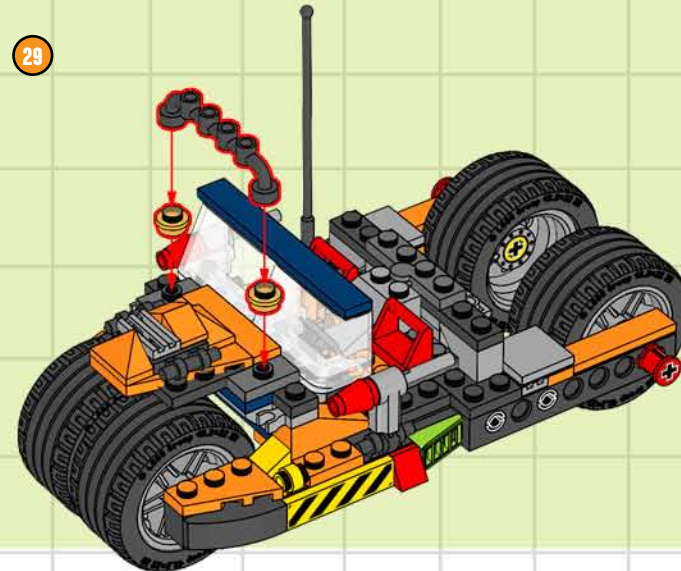
BUILDING STEPS



28



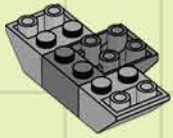
29



COVERT SPY TANK!

BUILDING STEPS

30

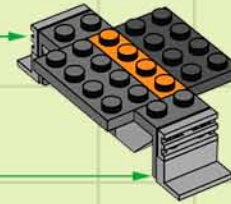
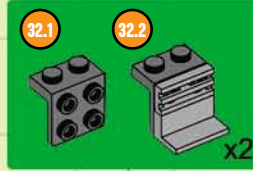


31

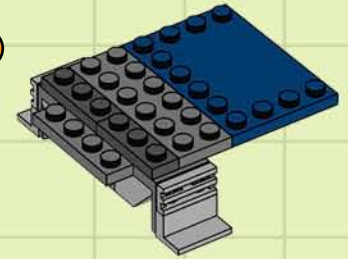


32.1

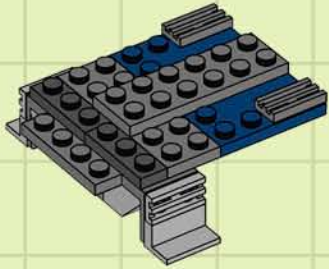
32.2



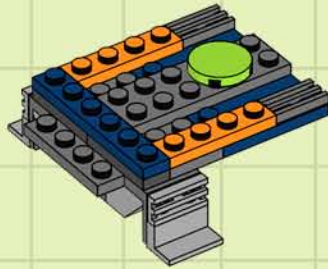
33



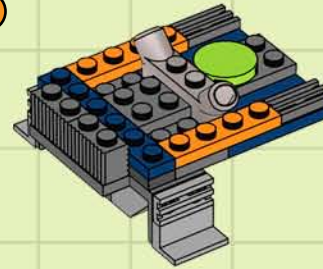
34



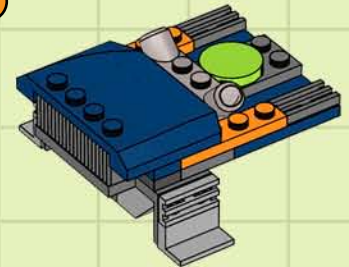
35



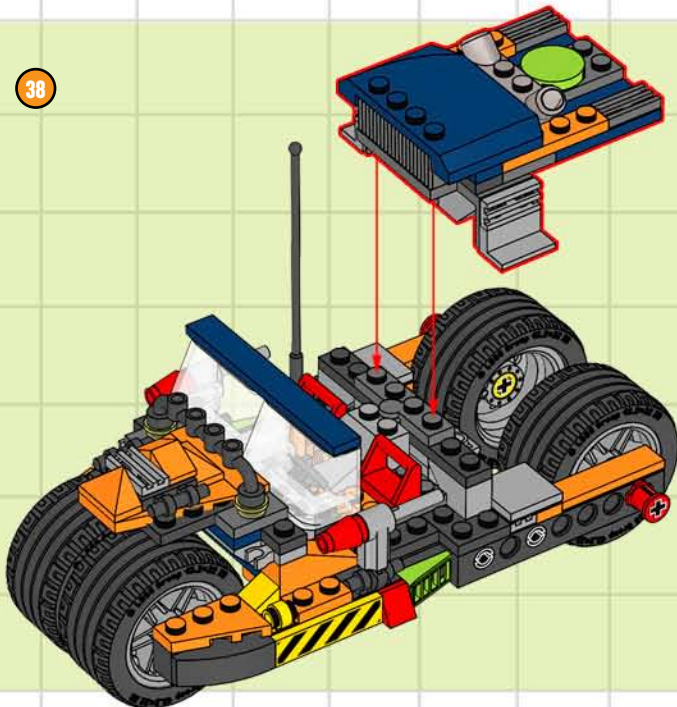
36



37



38



Final

