

COMET

BUILDING STEPS!

LEGO RACERS

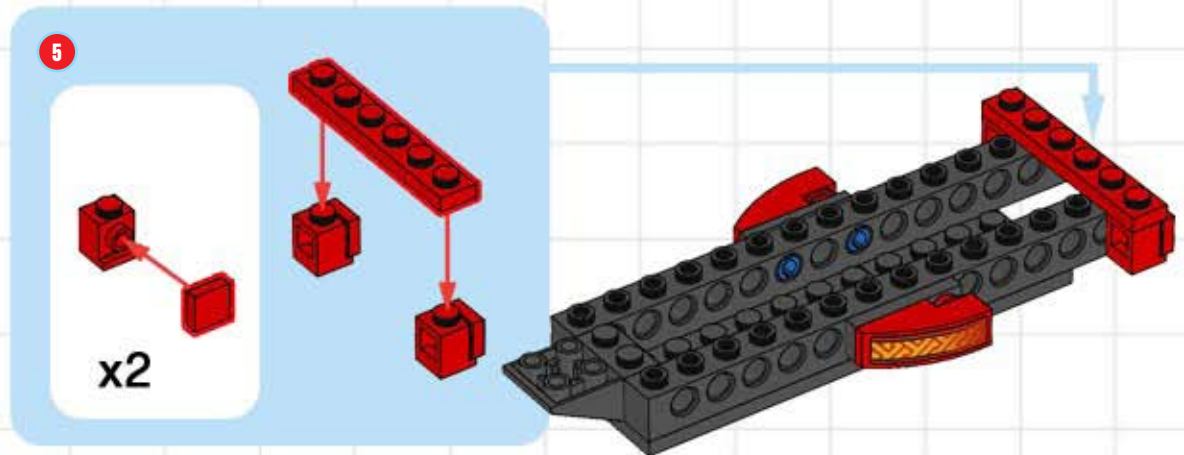
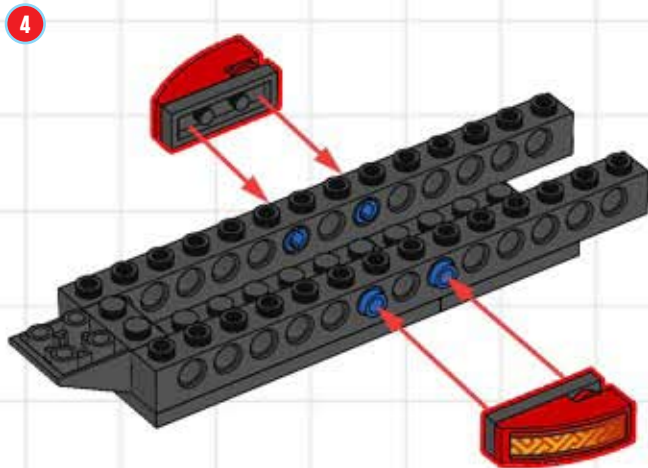
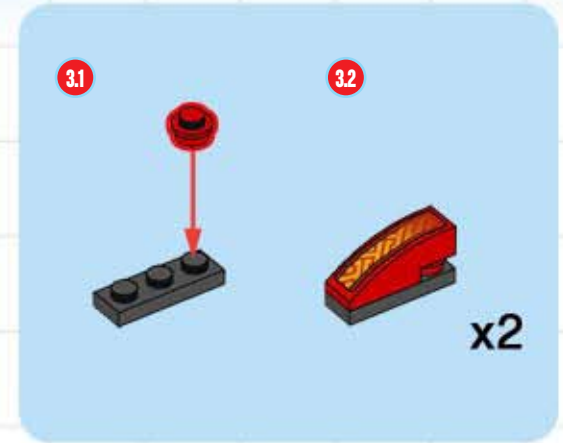
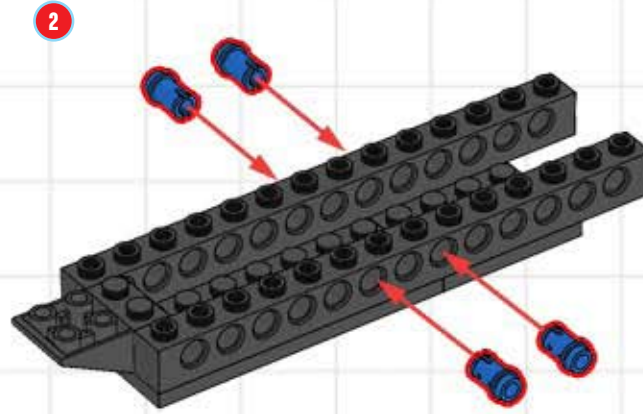
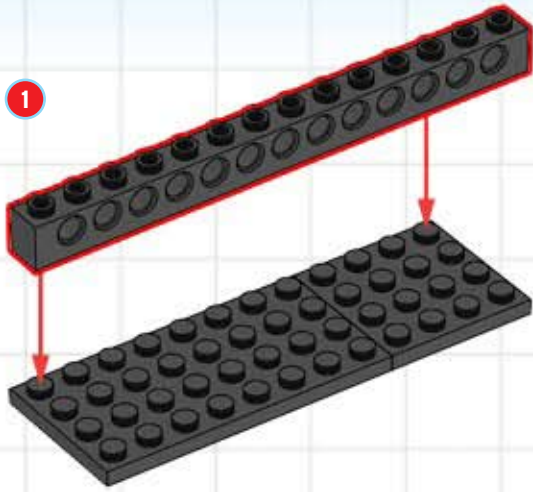
These awesome racers are ready to take on the track! But there is an even more powerful version, built out of the two racers above. The red racers ultra-powerful engine means it's faster than anything on wheels. With five Power Racers champions trophies already won, the Comet is on its way to breaking all records of victories.



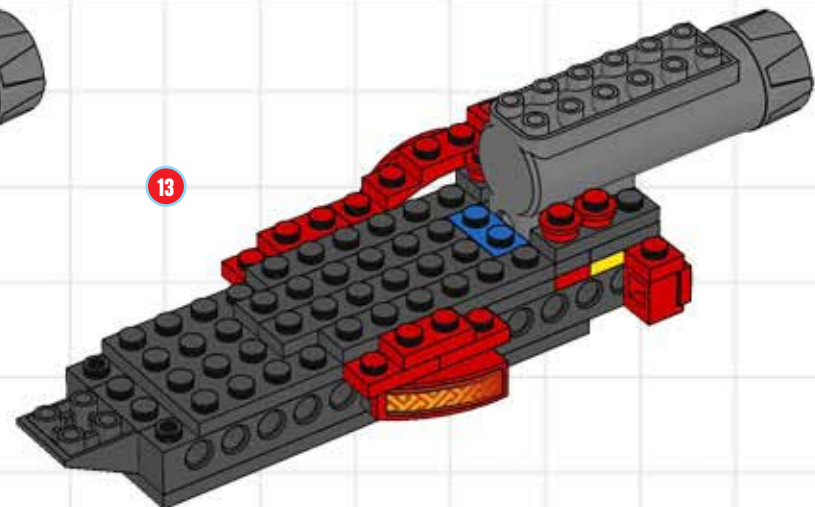
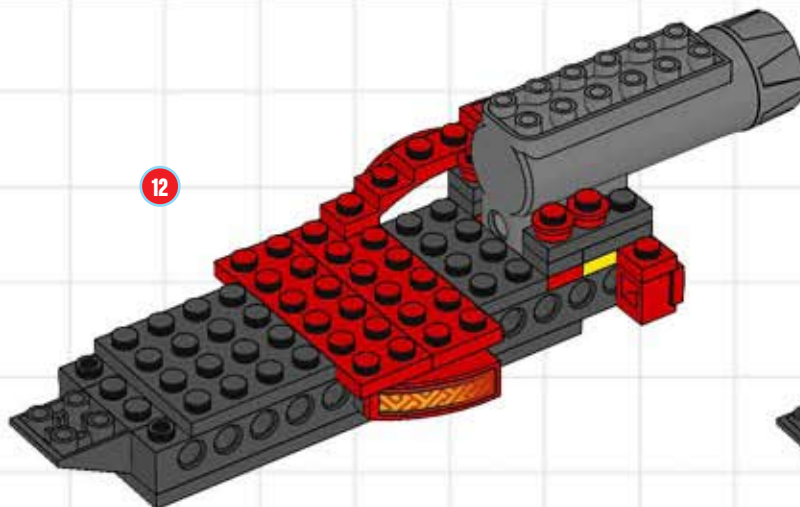
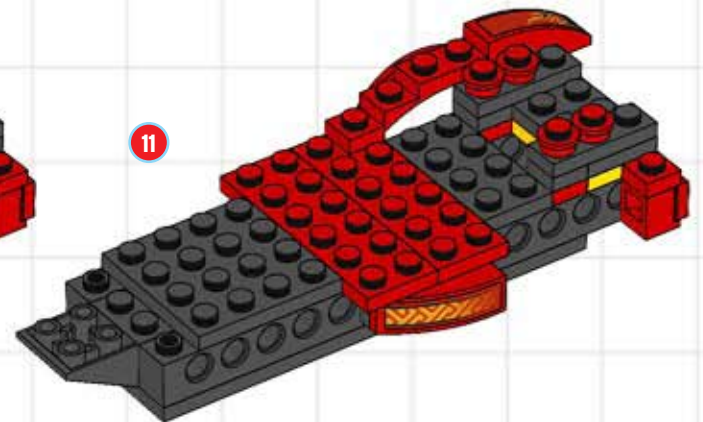
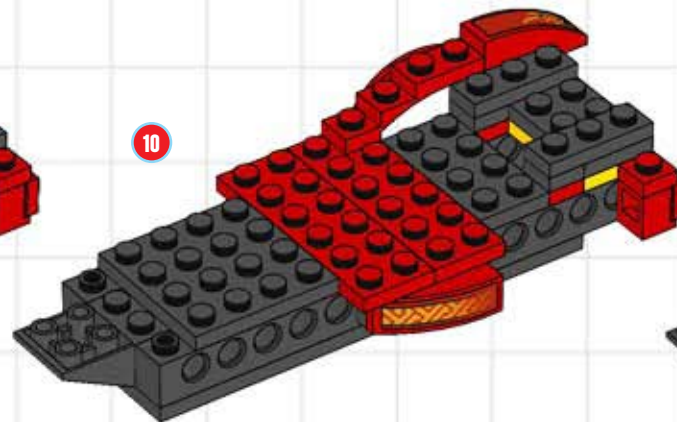
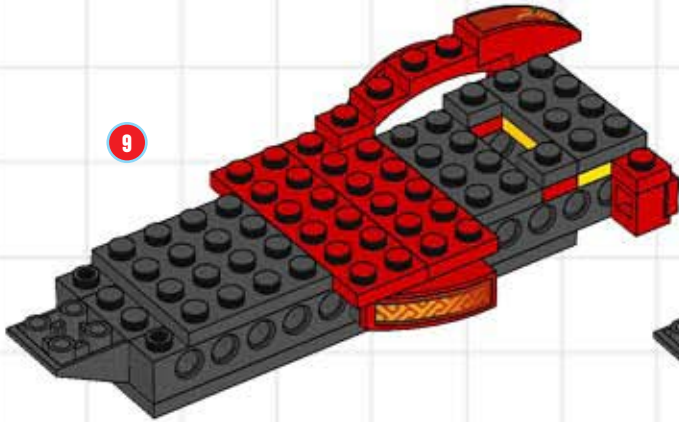
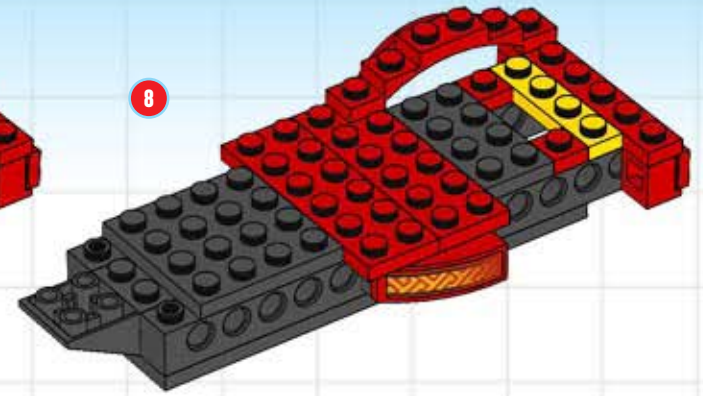
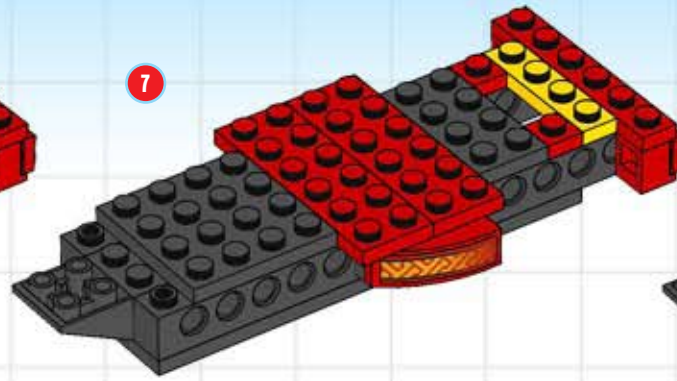
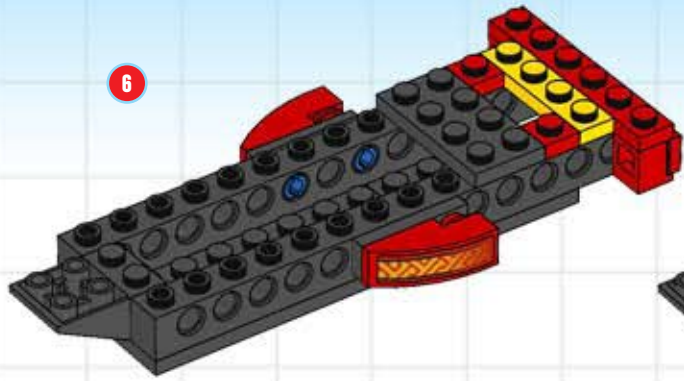
You can build the Comet using pieces from 8227 Dragon Dueler and 8228 Sting Striker!

LEGO club

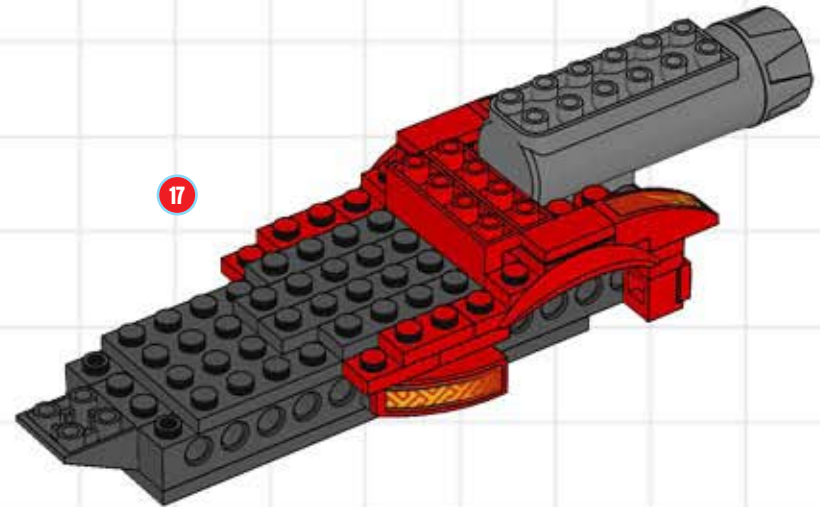
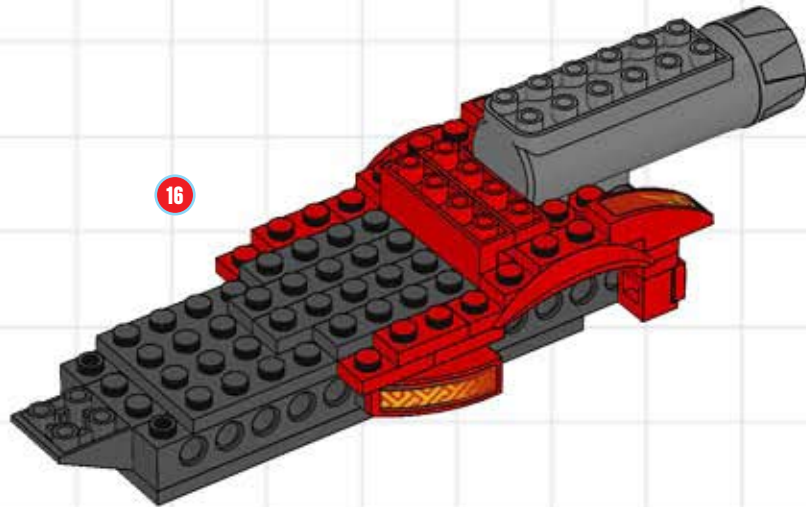
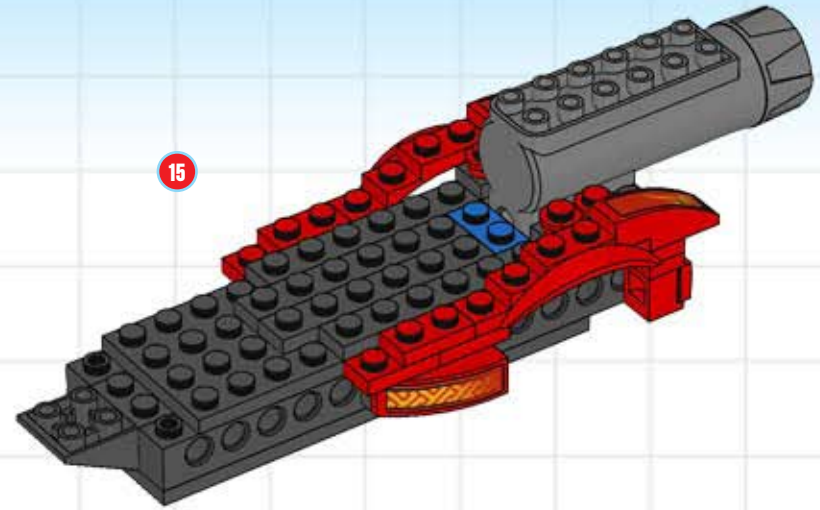
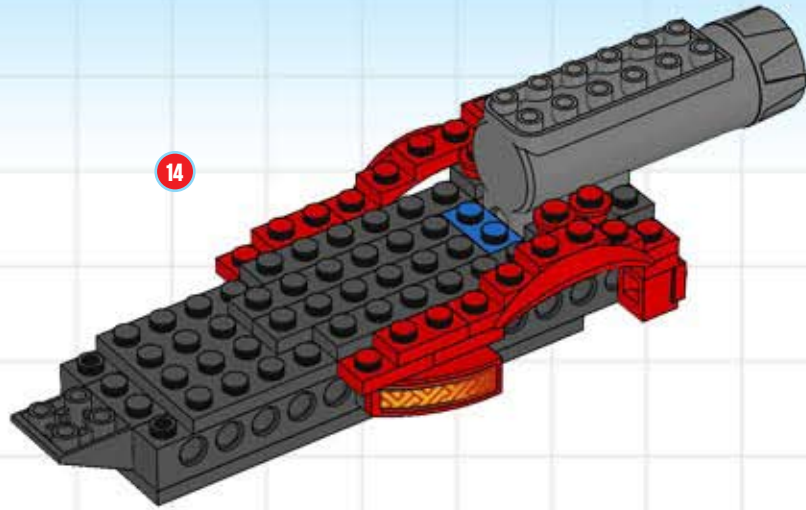
COMET BUILDING STEPS!



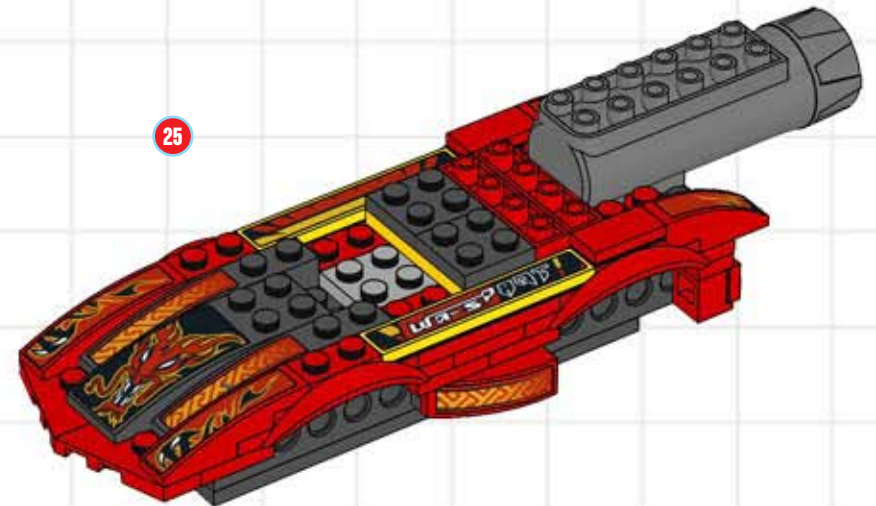
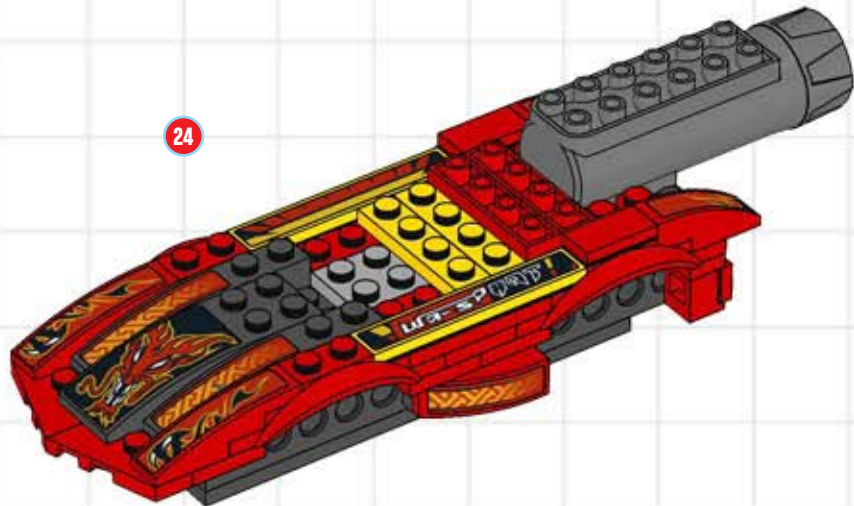
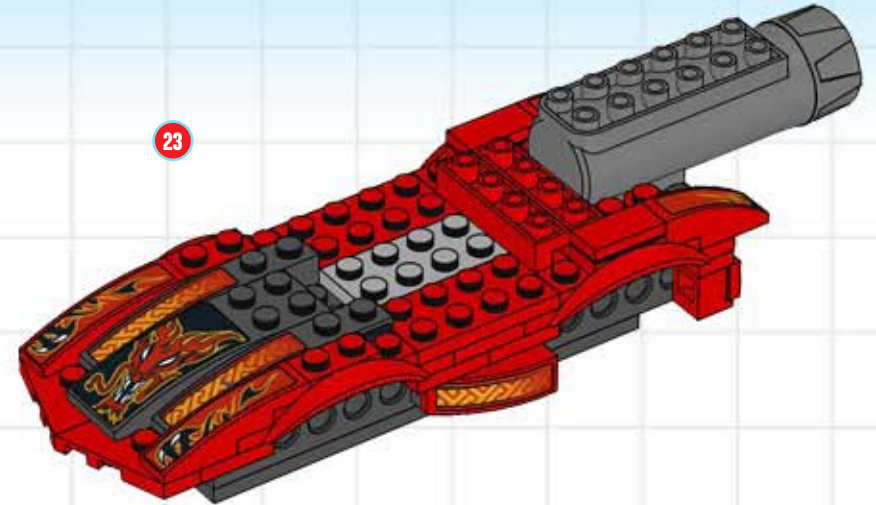
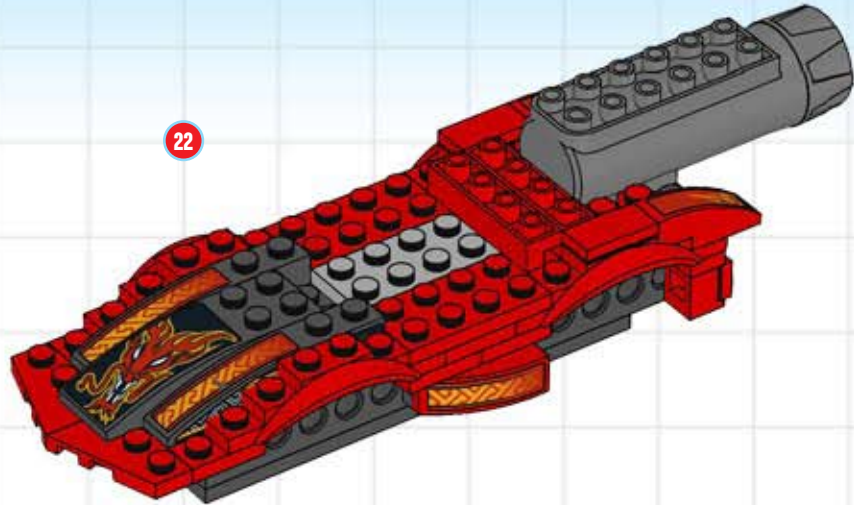
COMET BUILDING STEPS!



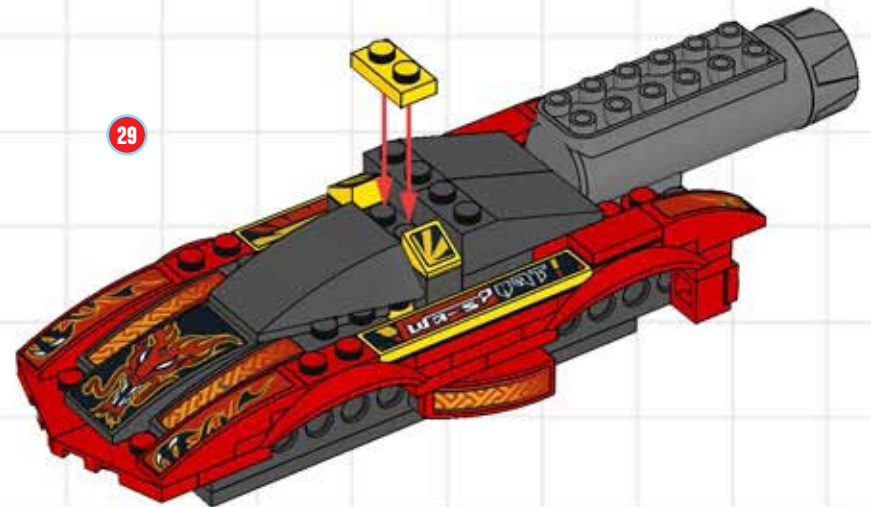
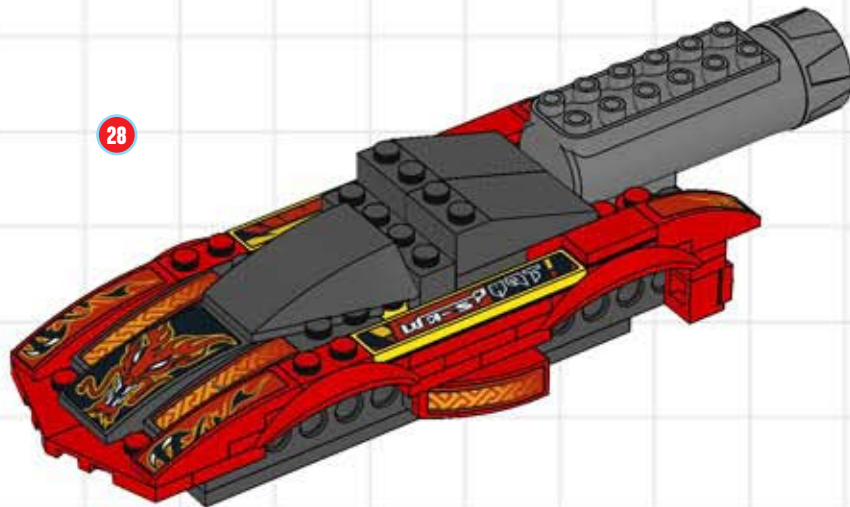
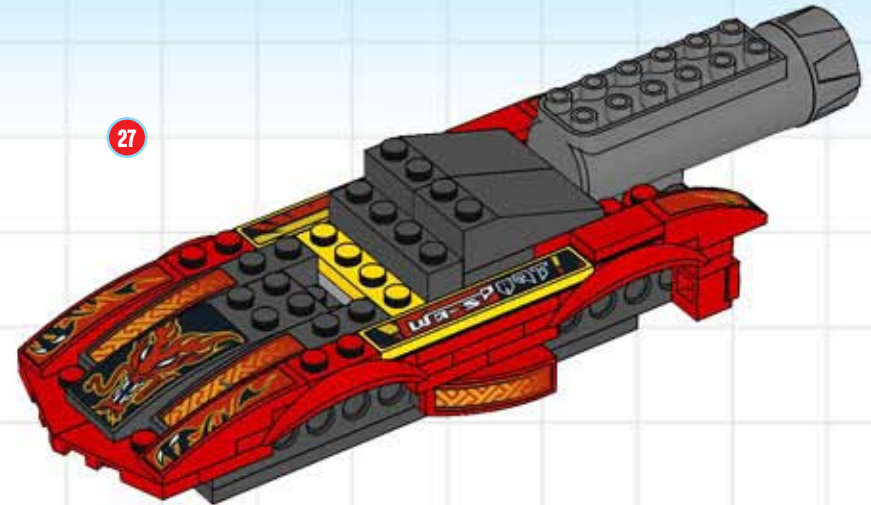
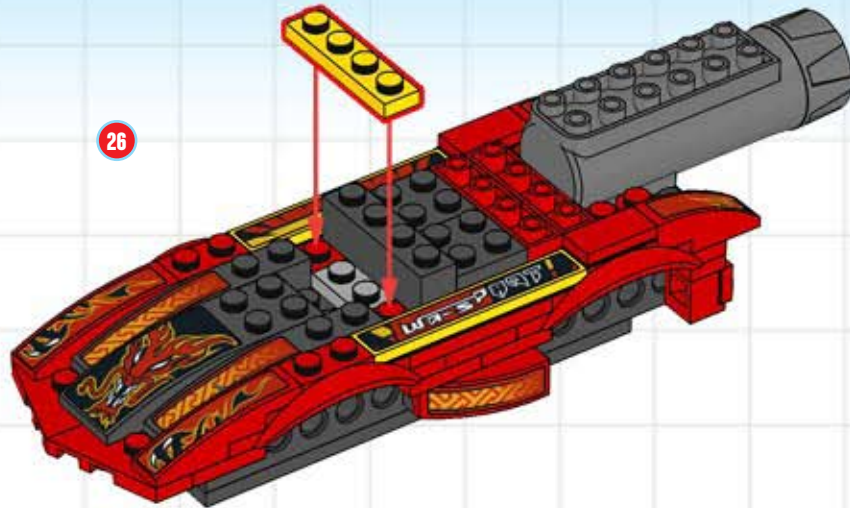
COMET BUILDING STEPS!



COMET BUILDING STEPS!



COMET BUILDING STEPS!



COMET BUILDING STEPS!

