

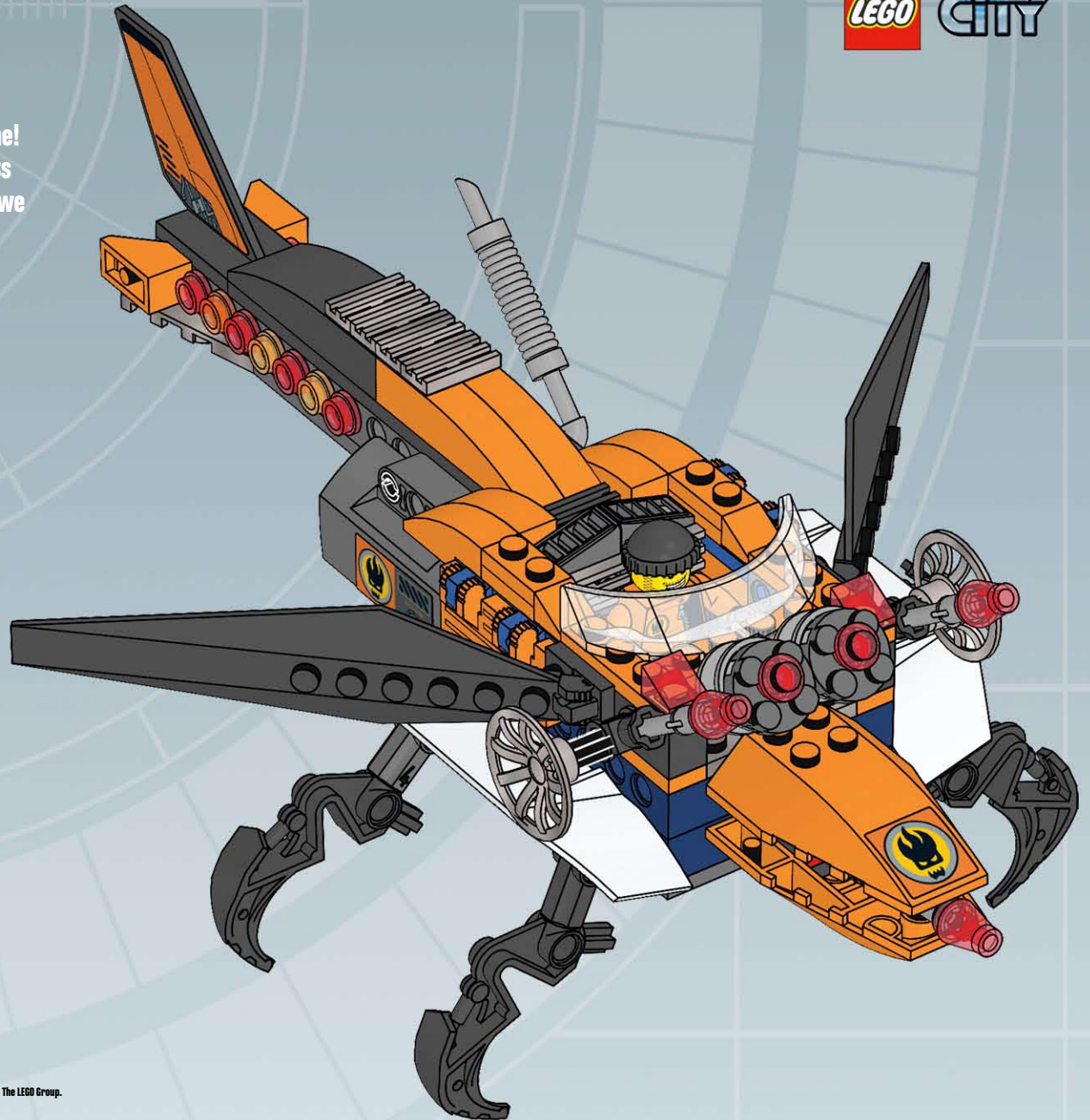
DRAGON-FLYER!

BUILDING STEPS

What do you get when you combine two LEGO® sets from different themes? The answer: whatever you can imagine! We gave our LEGO Master Builders two very different sets and asked them to come up with something crazy. What we got is the buzzing, soaring jet-powered Dragon-Flyer!



Build it yourself using pieces from LEGO City #7726 Coast Guard Truck with Speed Boat and LEGO Agents #8634 Mission 4: Turbocar Chase!



LEGO club **DRAGON-FLYER!**
BUILDING STEPS

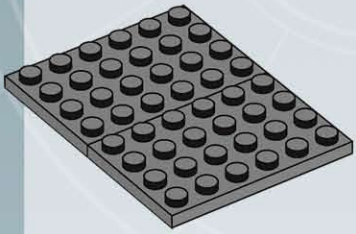


CITY

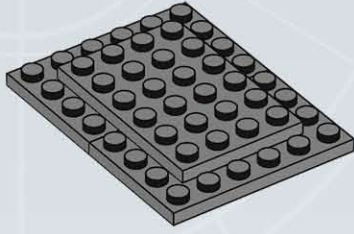


AGENTS

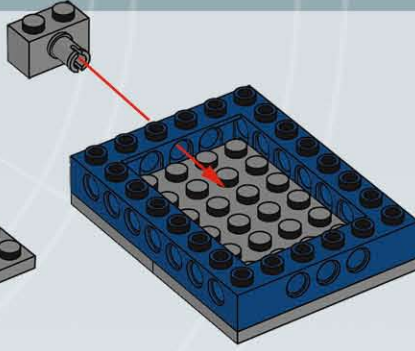
1



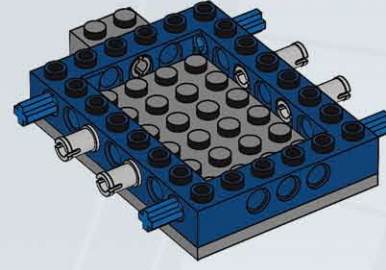
2



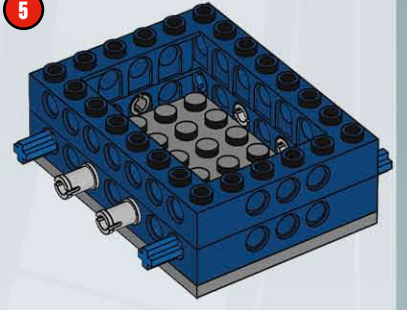
3



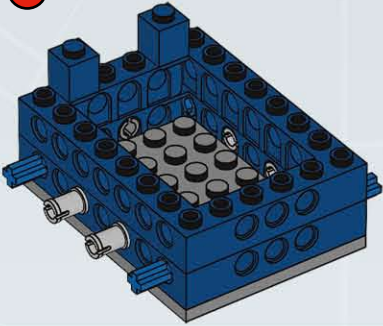
4



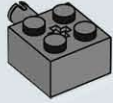
5



6



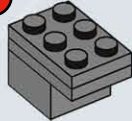
7



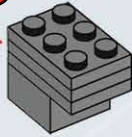
8



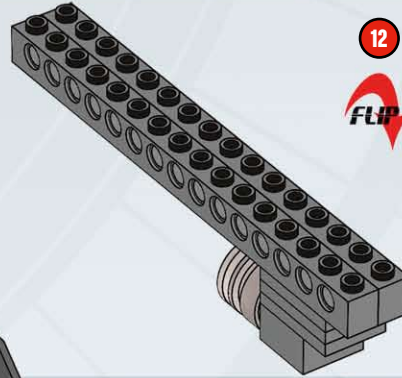
9



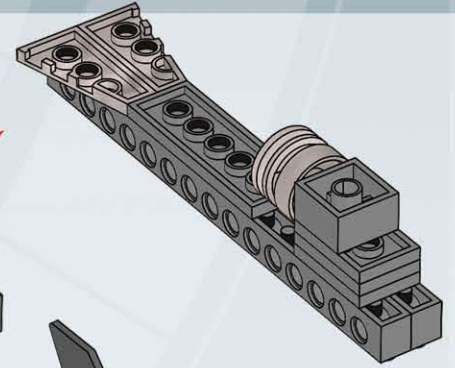
10



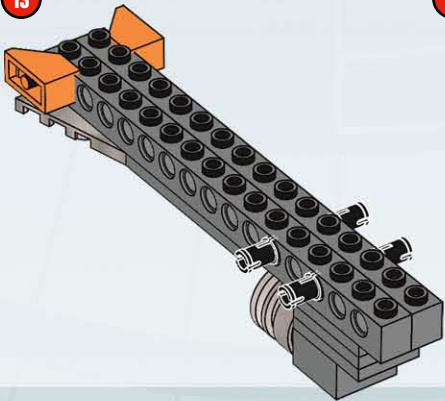
11



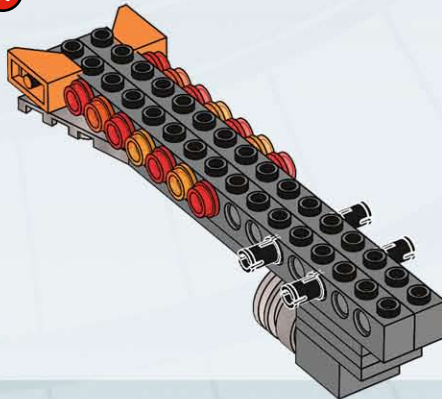
12



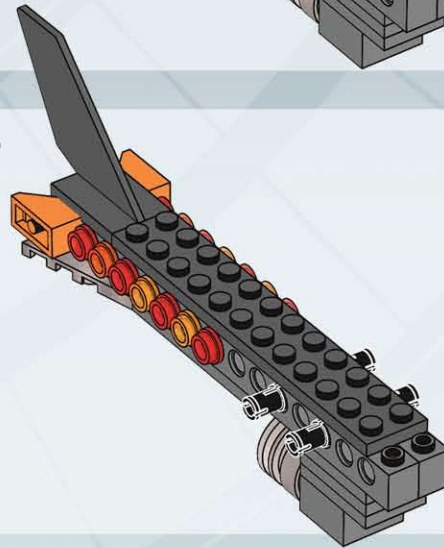
13



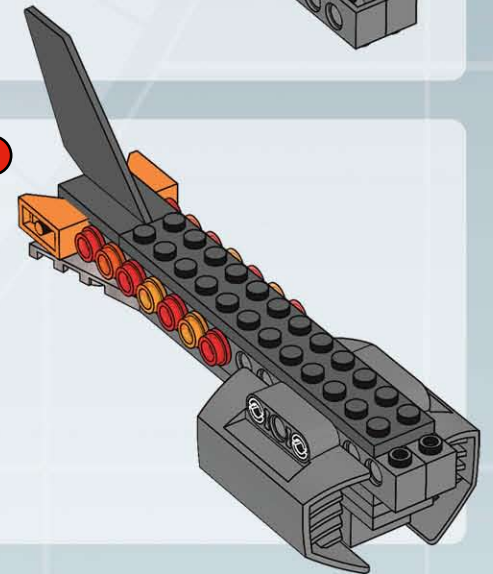
14



15



16



LEGO club DRAGON-FLYER!
BUILDING STEPS

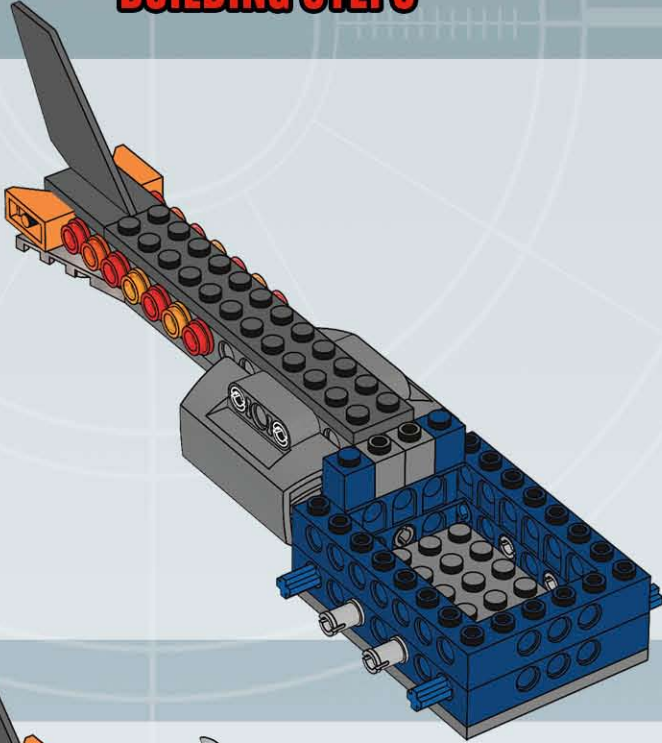


CITY

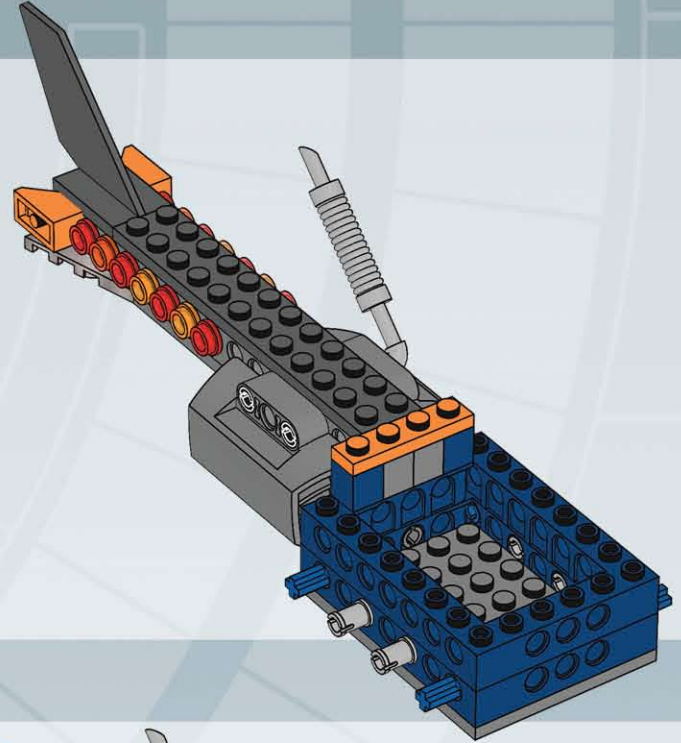


AGENTS

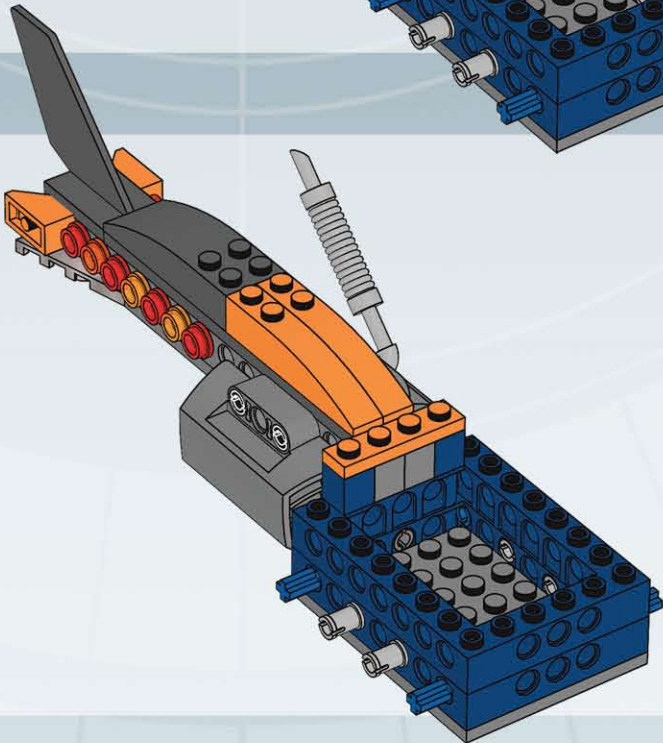
17



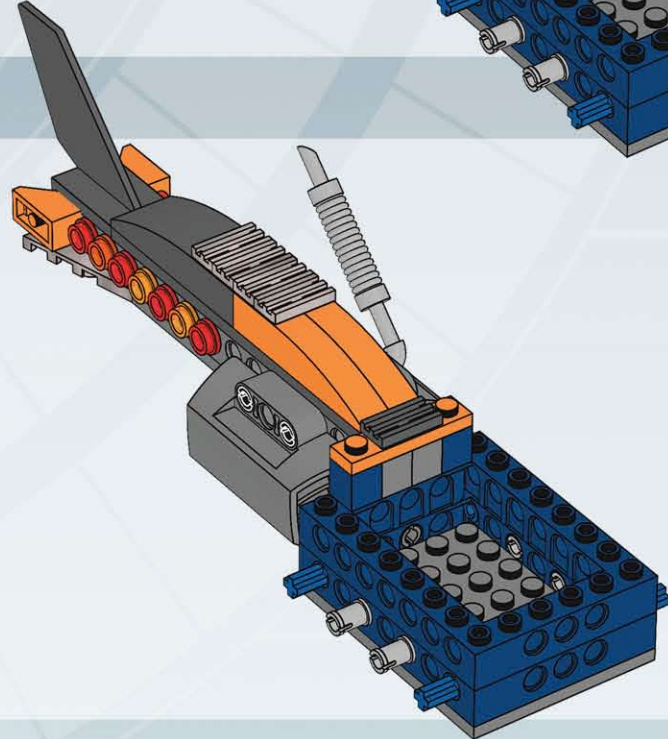
18



19



20



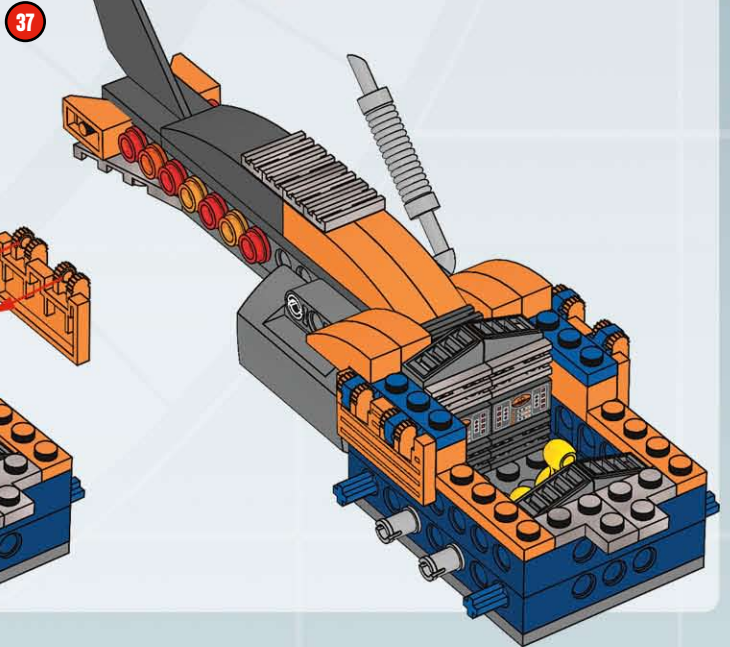
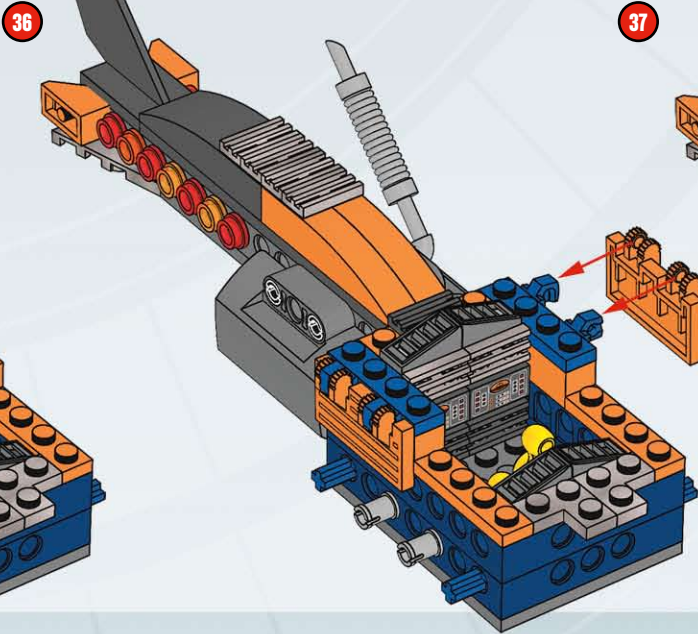
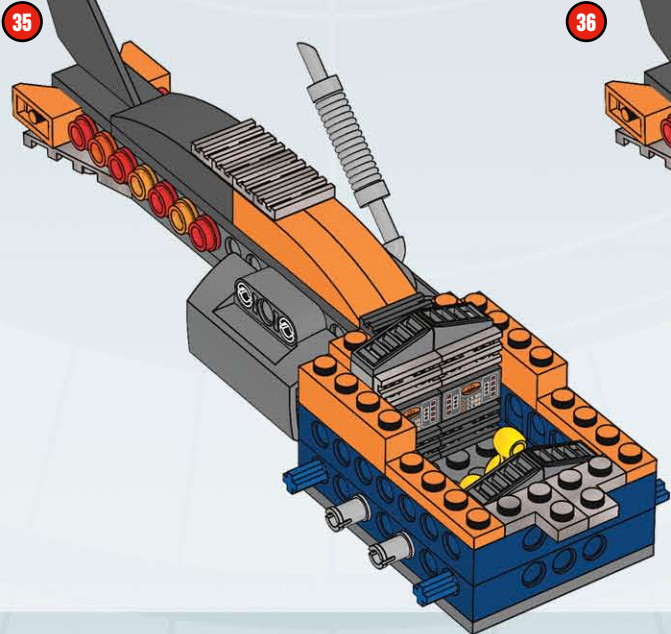
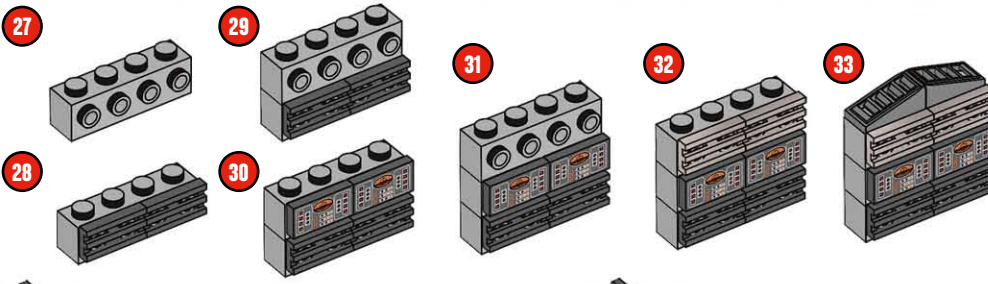
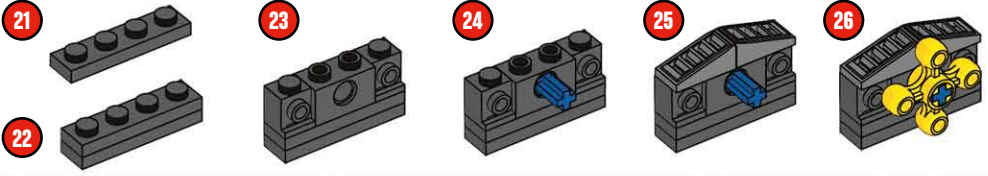
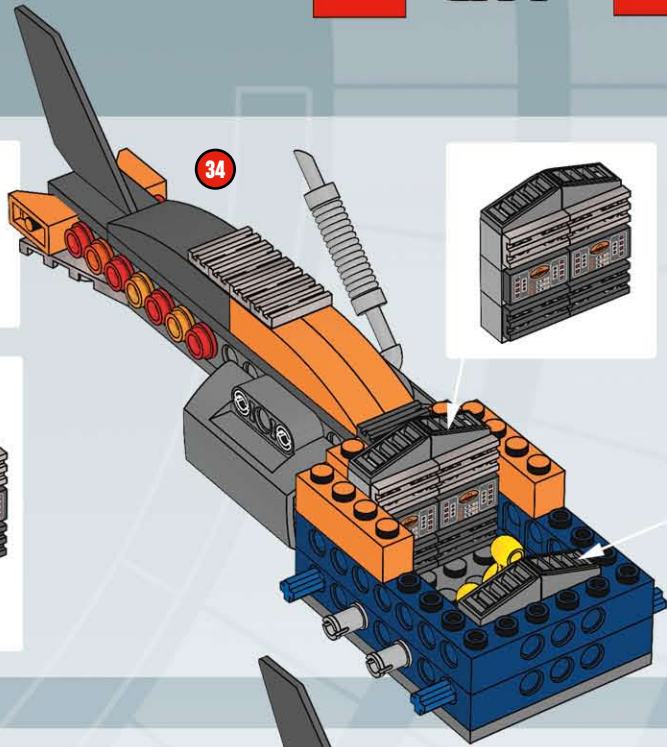
LEGO club **DRAGON-FLYER!**
BUILDING STEPS



CITY



AGENTS



LEGO club **DRAGON-FLYER!**
BUILDING STEPS

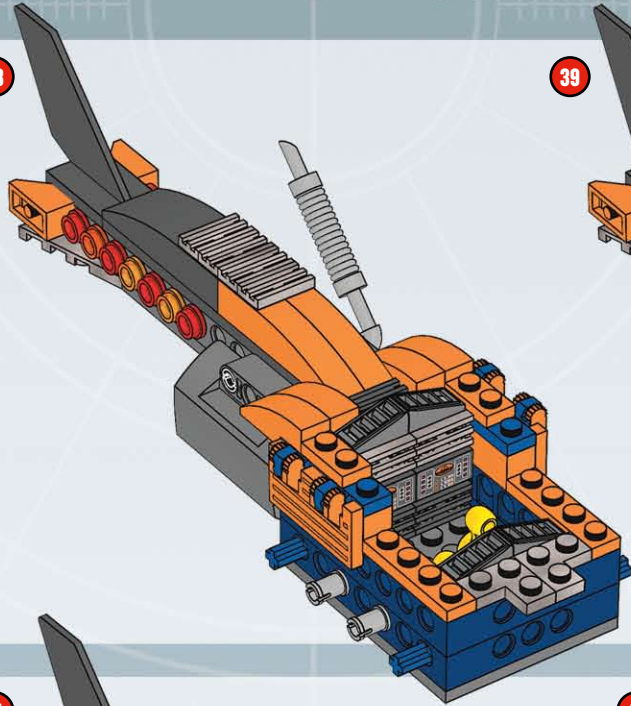


CITY

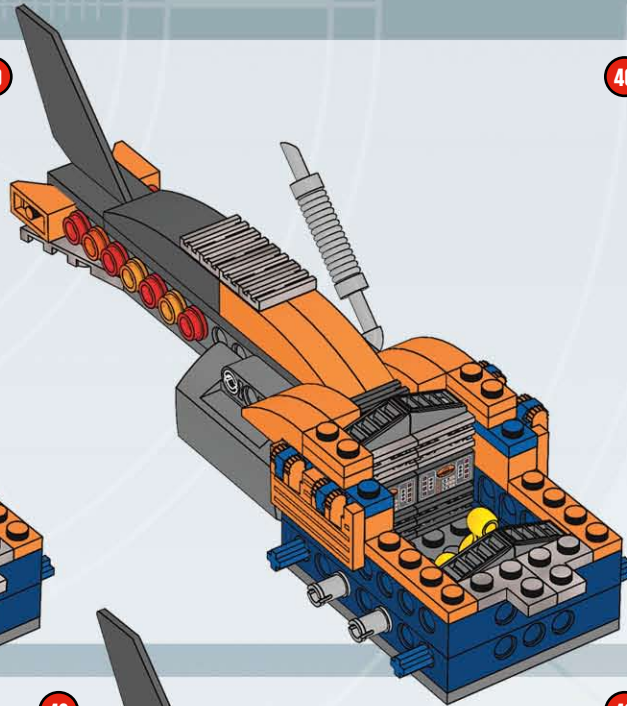


AGENTS

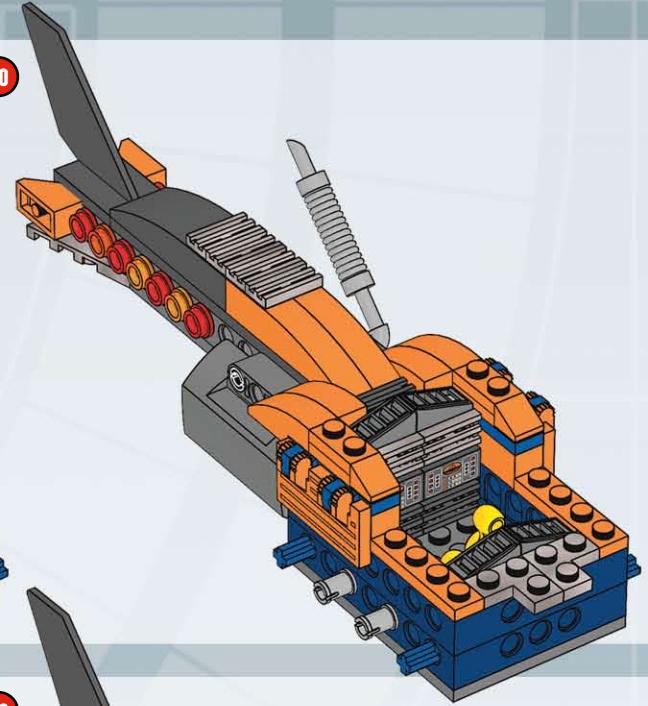
38



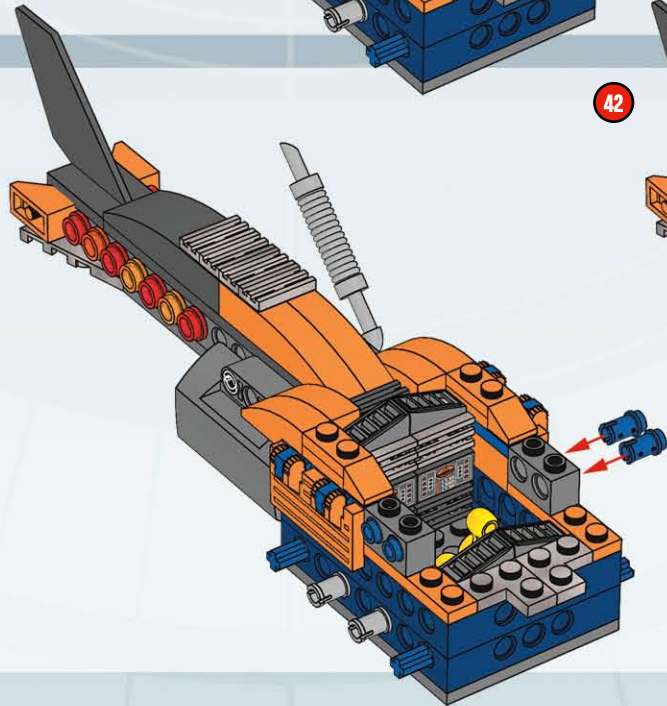
39



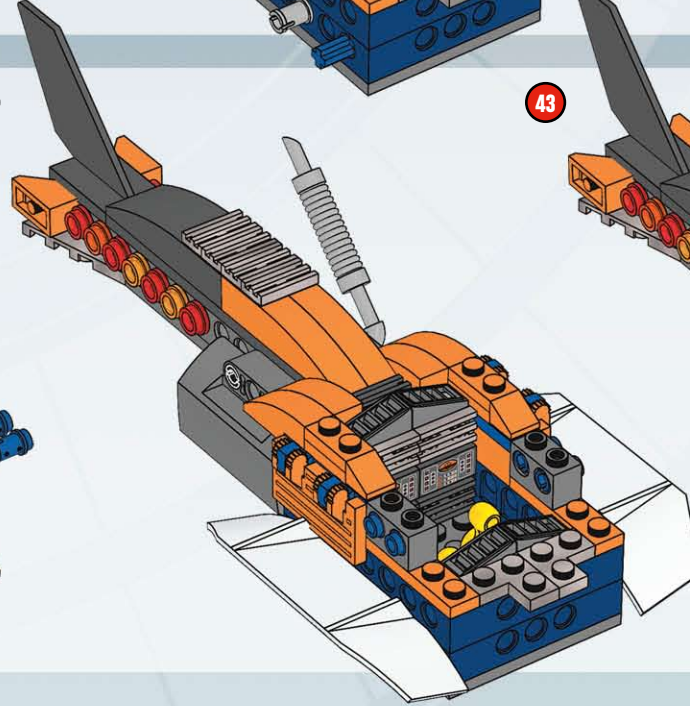
40



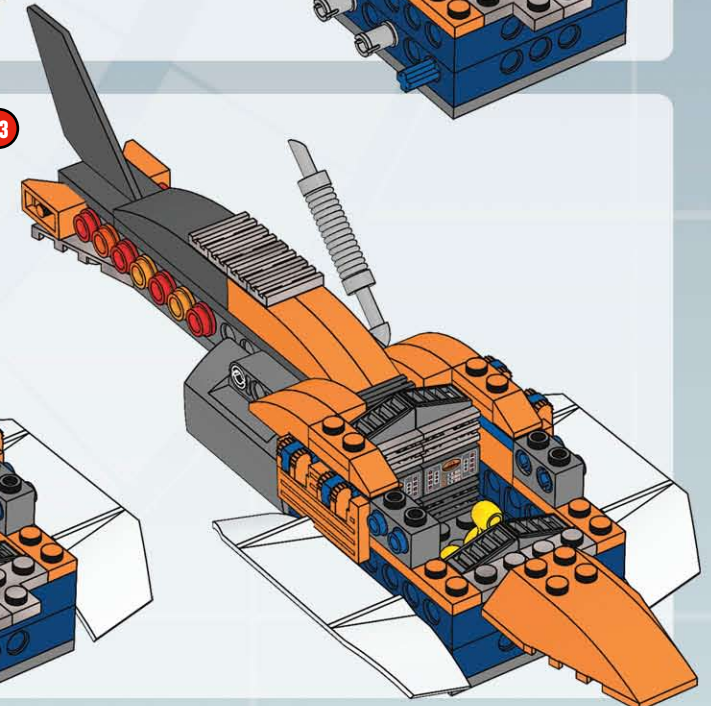
41



42



43



LEGO club DRAGON-FLYER!
BUILDING STEPS



CITY

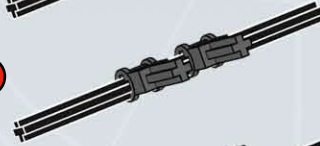


AGENTS

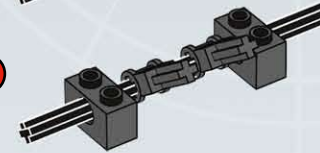
44



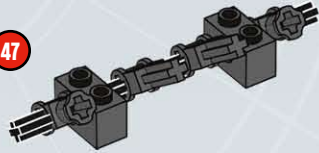
45



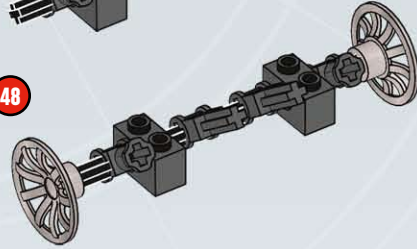
46



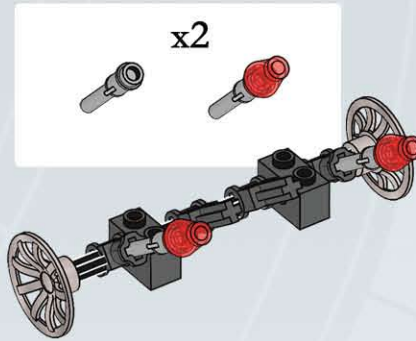
47



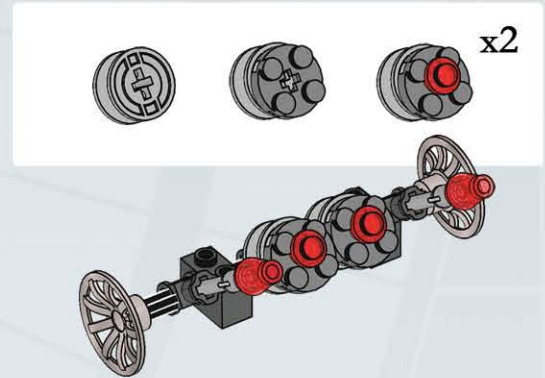
48



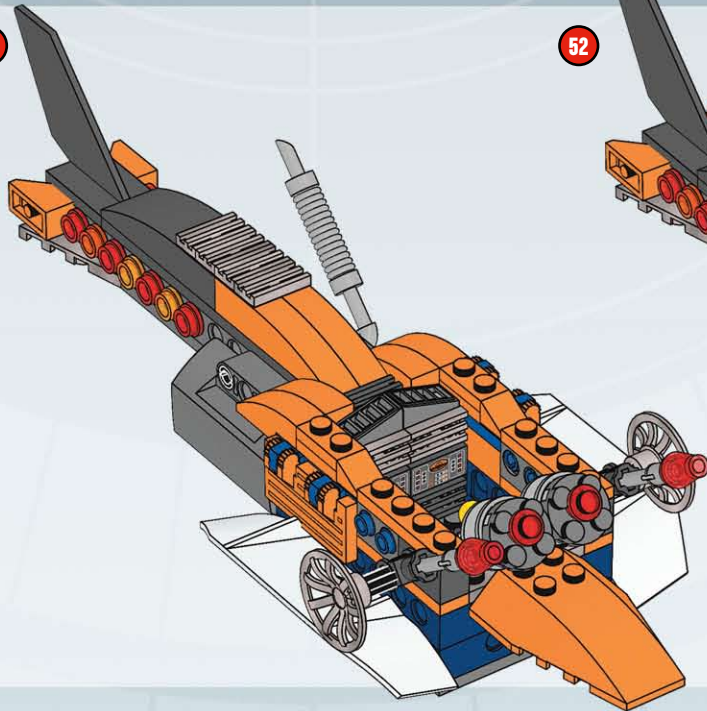
49



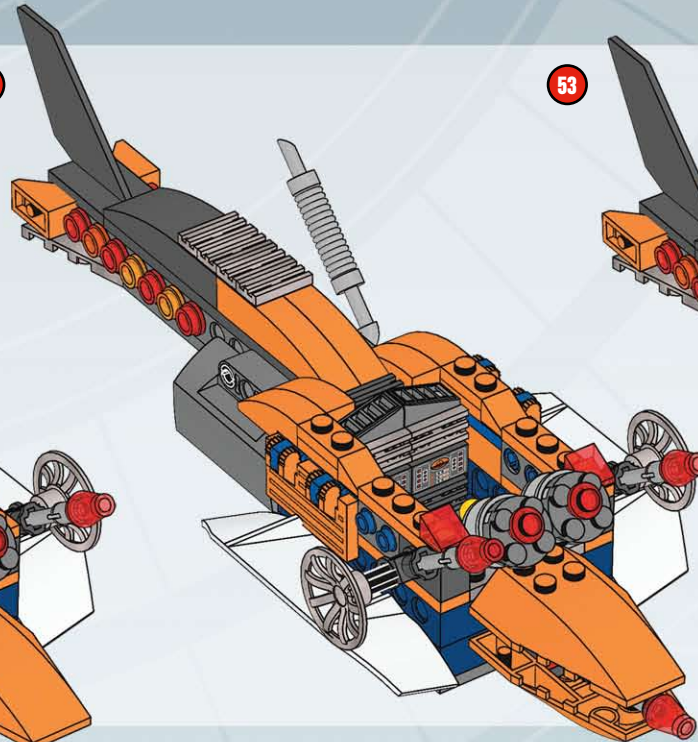
50



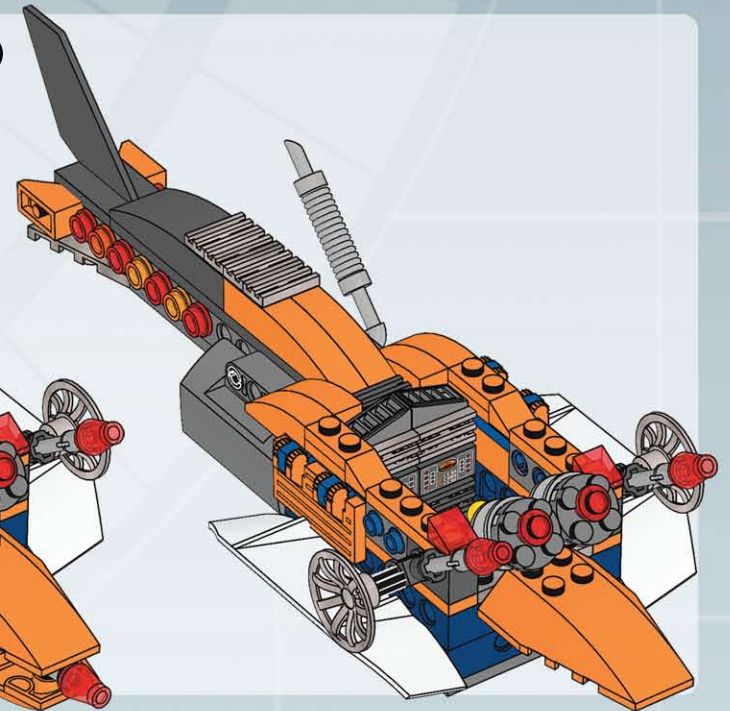
51



52



53



LEGO club DRAGON-FLYER!
BUILDING STEPS



CITY



AGENTS

54



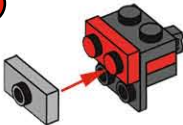
55



56



57



58



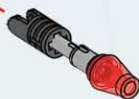
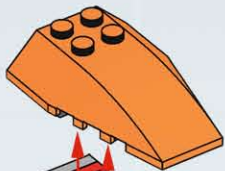
59



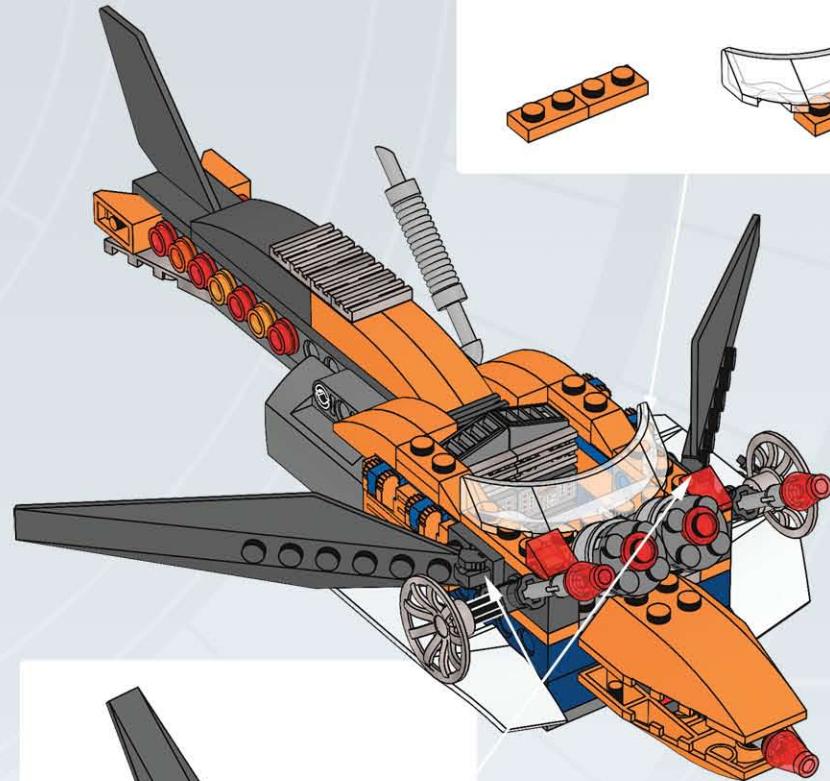
60



61



62



x2

LEGO club DRAGON-FLYER!
BUILDING STEPS

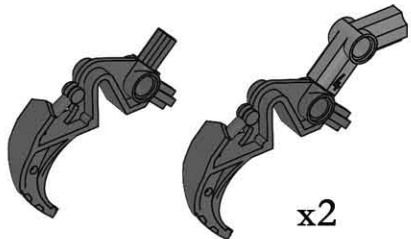
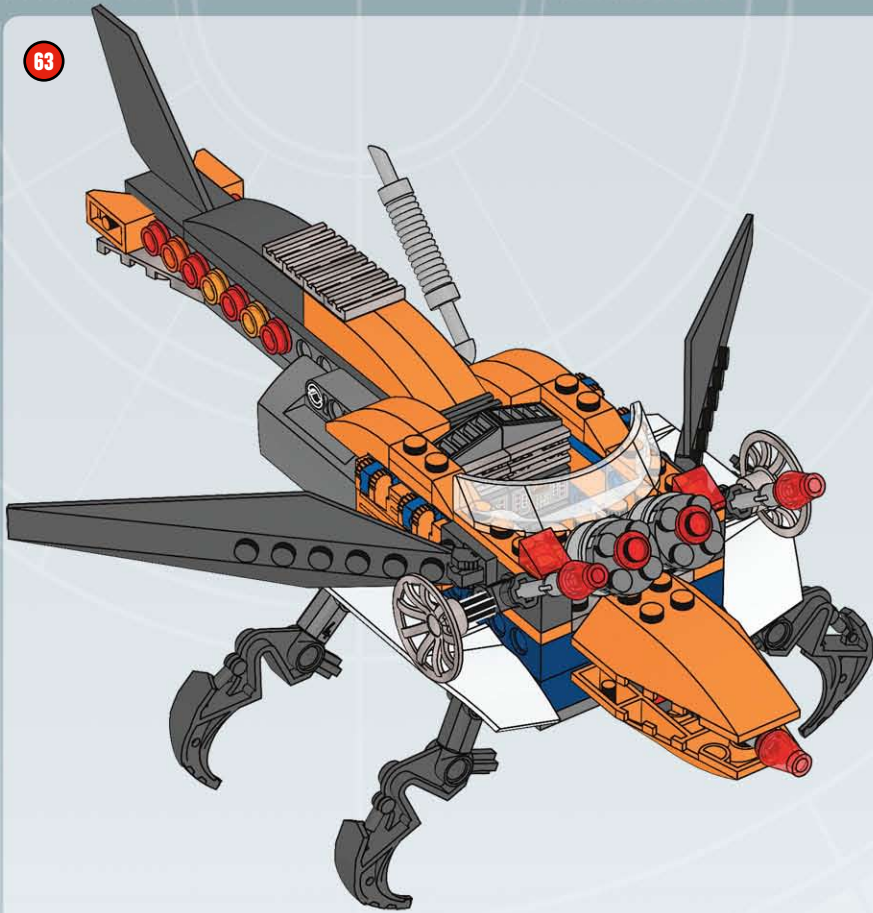


CITY

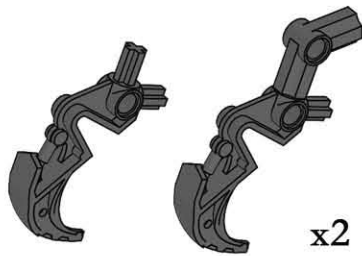


AGENTS

63



x2



x2

FINAL

