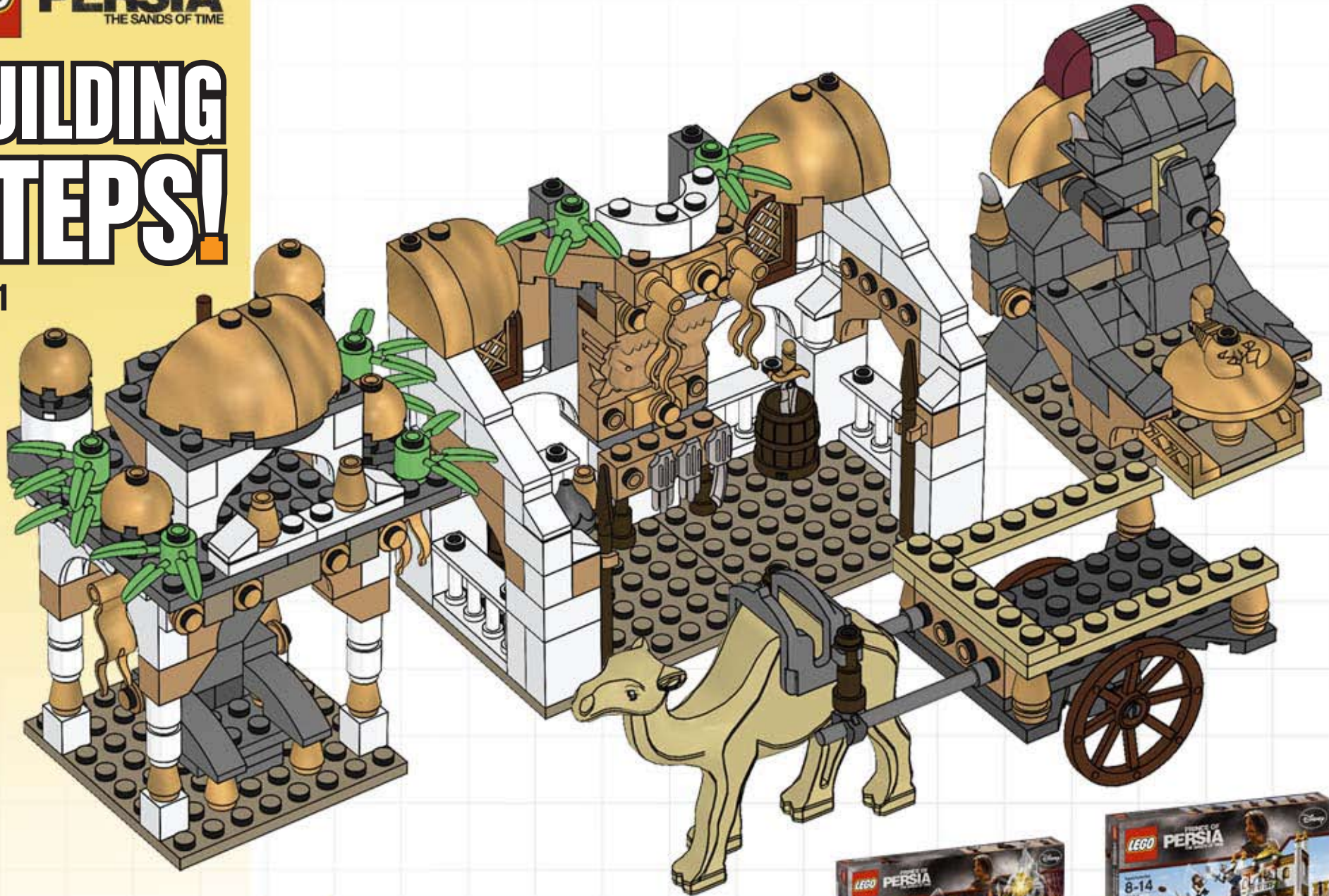


BUILDING STEPS!

PART 1



You can create an entire scene from the world of Prince of Persia: The Sands of Time by combining pieces from two LEGO® sets: 7572 Quest Against Time and 7573 Battle of Alamut!

© Disney Enterprise, Inc. and Jerry Bruckheimer, Inc.

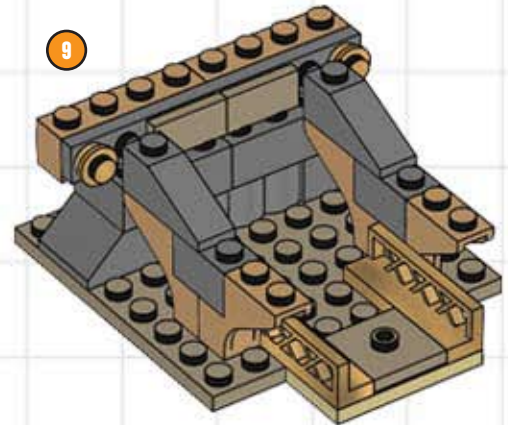
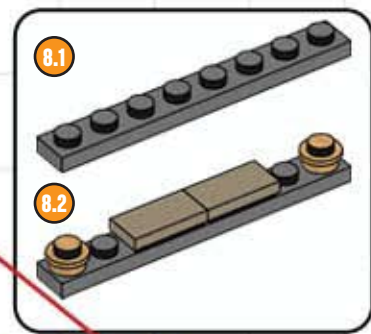
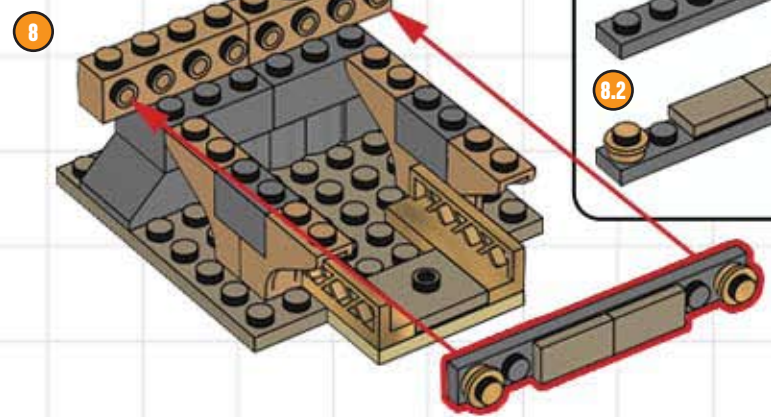
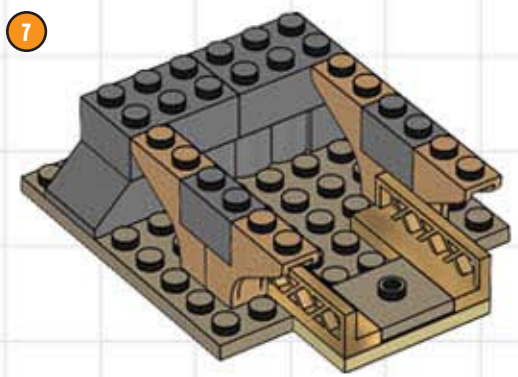
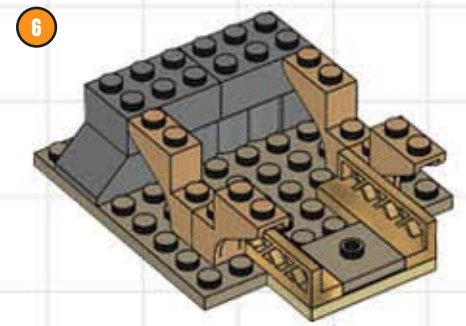
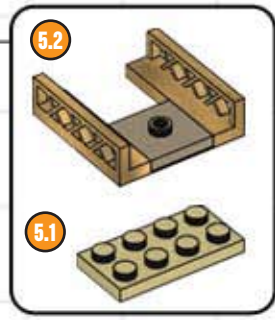
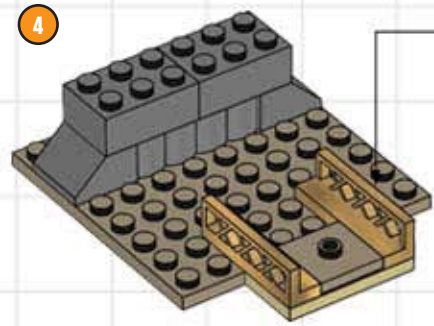
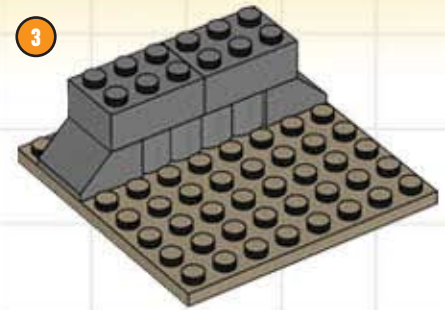
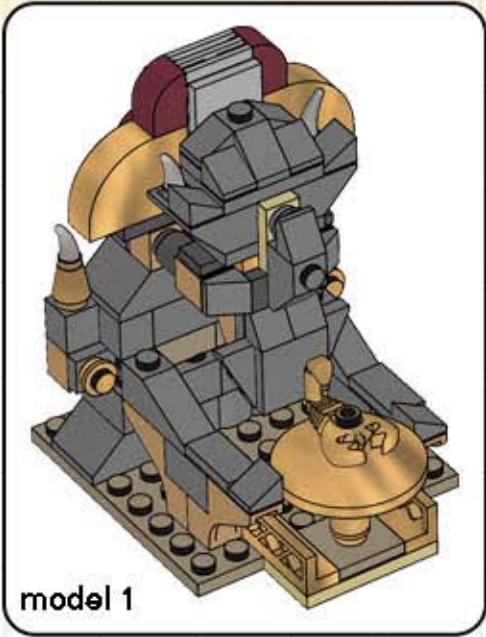


7572

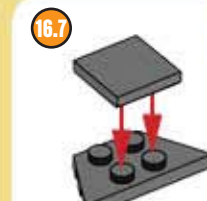
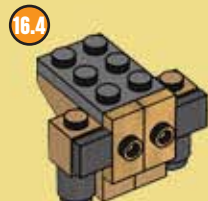
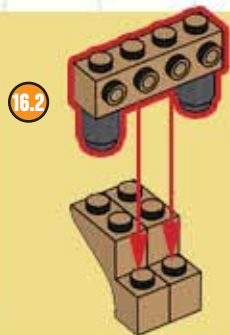
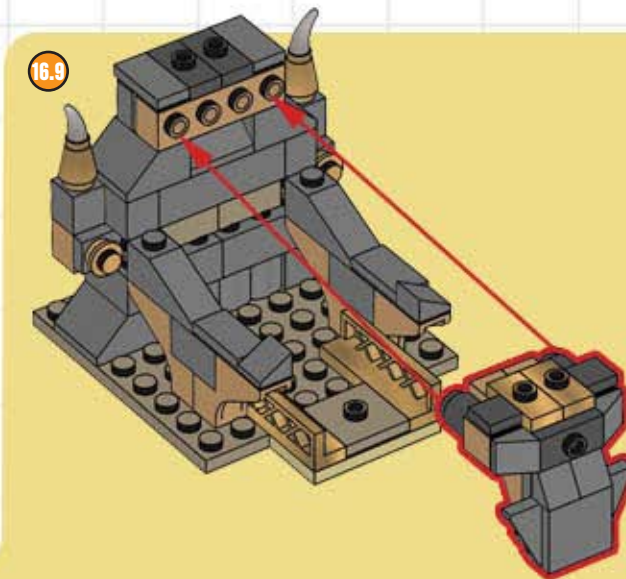
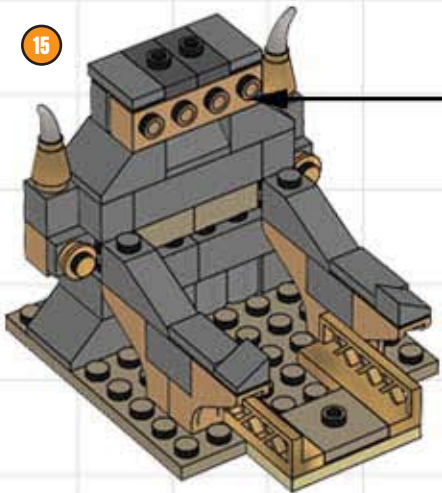
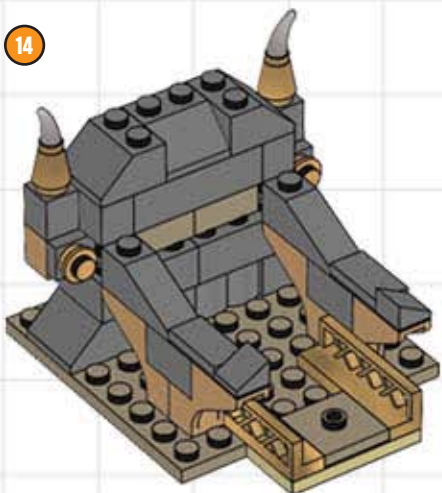
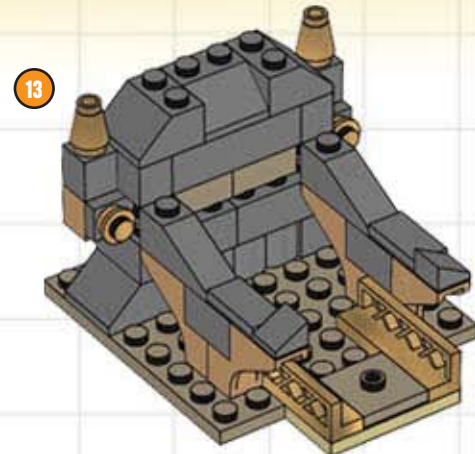
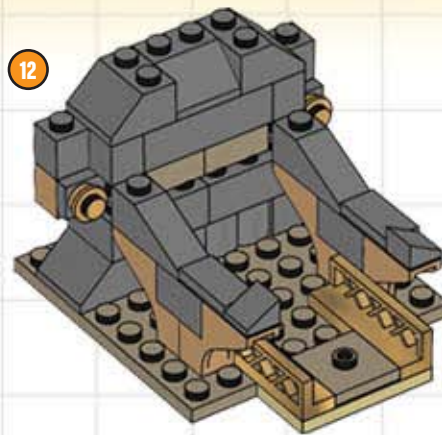
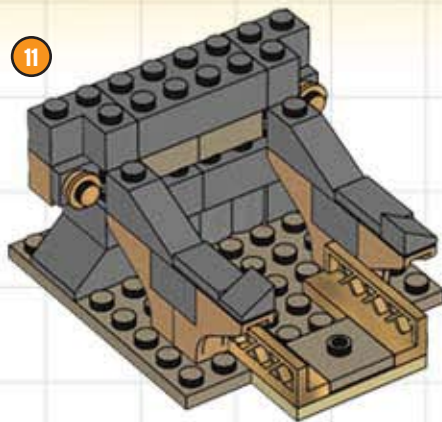
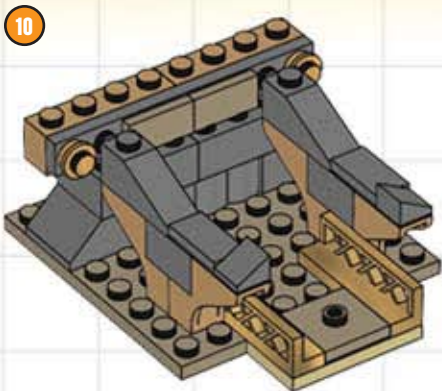


7573

LEGO® PRINCE OF PERSIA BUILDING STEPS!



LEGO® PRINCE OF PERSIA BUILDING STEPS!



LEGO® PRINCE OF PERSIA BUILDING STEPS!

17.1: A dark grey 1x4 Technic plate with 4 holes.

17.2: A red axle is inserted into a white 1x2 Technic axle hole connector, which is being placed on top of the 1x4 plate.

17.3: A grey 1x2 Technic axle hole connector is placed on top of the white connector.

17.4: A tan 1x2 Technic axle hole connector is placed on top of the grey connector.

17.5: A tan 1x2 Technic axle hole connector is placed on top of the tan connector.

17.6: A tan 1x2 Technic axle hole connector is placed on top of the tan connector.

17.7: A tan 1x2 Technic axle hole connector is placed on top of the tan connector.

17.8: A red axle is inserted into a white 1x2 Technic axle hole connector, which is being placed on top of the tan connector.

17.9: A red axle is inserted into a white 1x2 Technic axle hole connector, which is being placed on top of the tan connector.

17.10: A tan 1x2 Technic axle hole connector is placed on top of the tan connector.

17.11: A tan 1x2 Technic axle hole connector is placed on top of the tan connector.

17.12: A tan 1x2 Technic axle hole connector is placed on top of the tan connector.

18.1: A grey 1x4 Technic plate with 4 holes.

18.2: A grey 1x2 Technic axle hole connector is placed on top of the 1x4 plate.

18.3: A grey 1x2 Technic axle hole connector is placed on top of the 1x2 connector.

18.4: A grey 1x4 Technic plate with 4 holes is placed on top of the 1x2 connector.

18.5: A grey 1x4 Technic plate with 4 holes is placed on top of the 1x4 plate.

18.6: A grey 1x4 Technic plate with 4 holes is placed on top of the 1x4 plate.

18.7: A grey 1x4 Technic plate with 4 holes is placed on top of the 1x4 plate.

18.8: A grey 1x4 Technic plate with 4 holes is placed on top of the 1x4 plate.

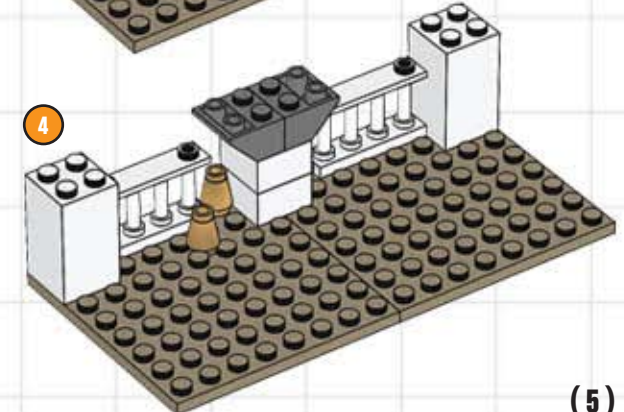
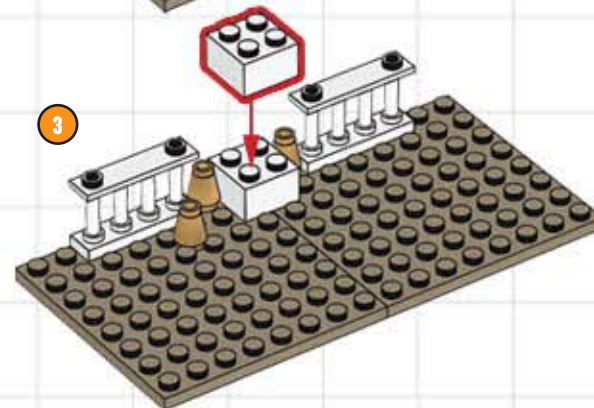
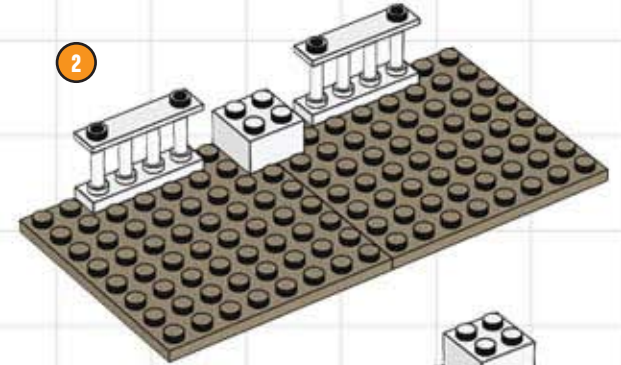
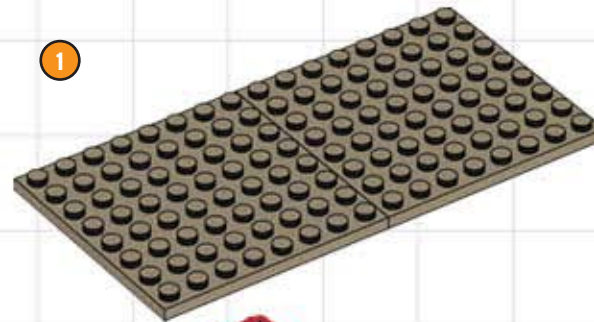
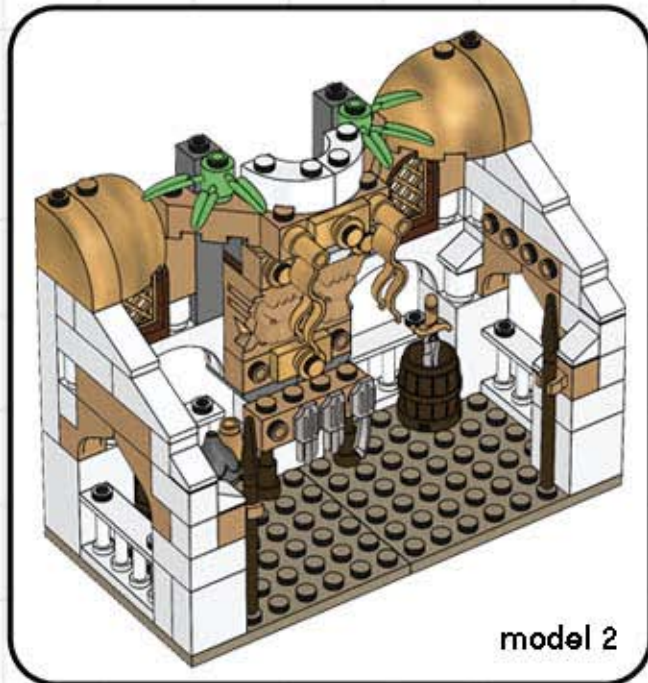
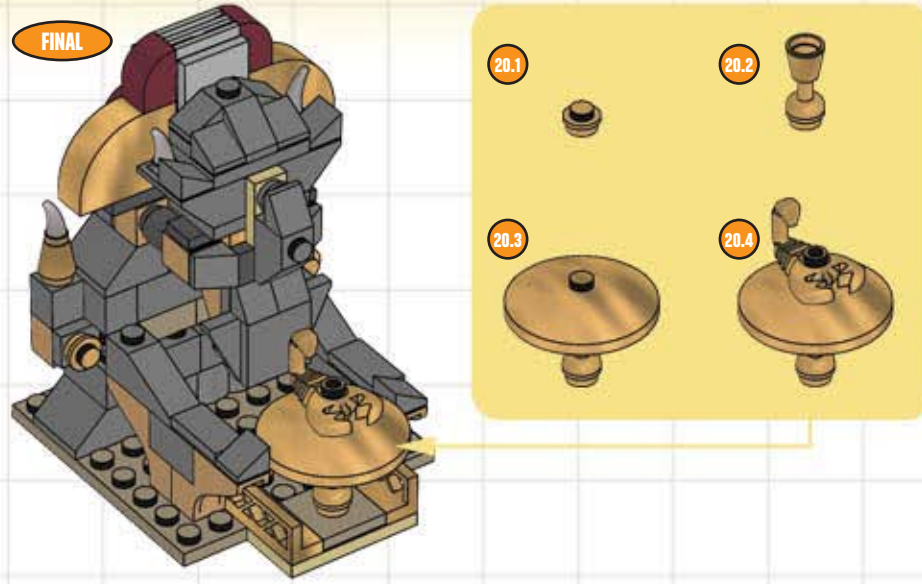
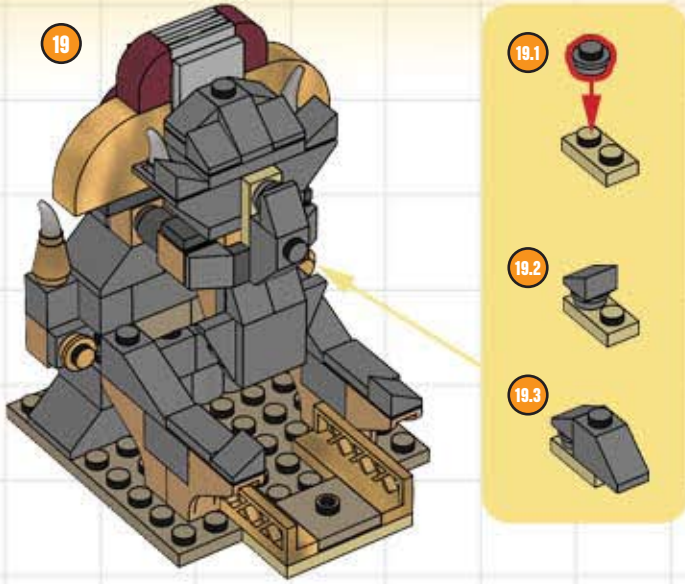
18.9: A grey 1x4 Technic plate with 4 holes is placed on top of the 1x4 plate.

18.10: A grey 1x4 Technic plate with 4 holes is placed on top of the 1x4 plate.

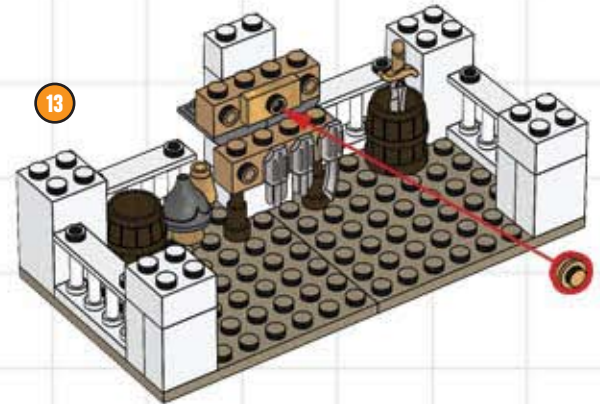
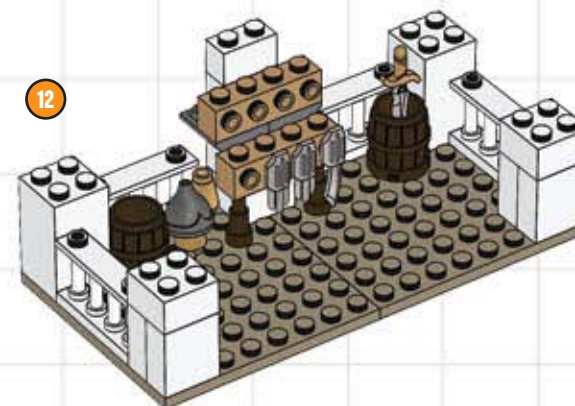
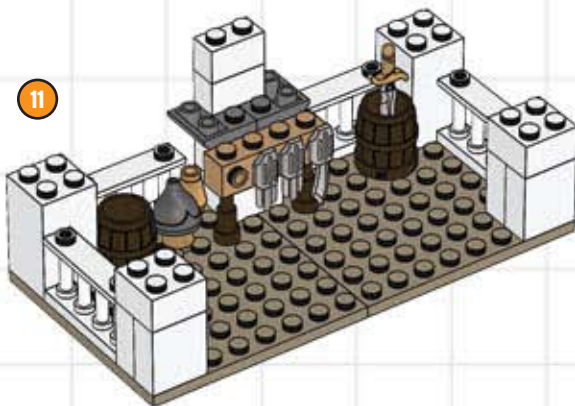
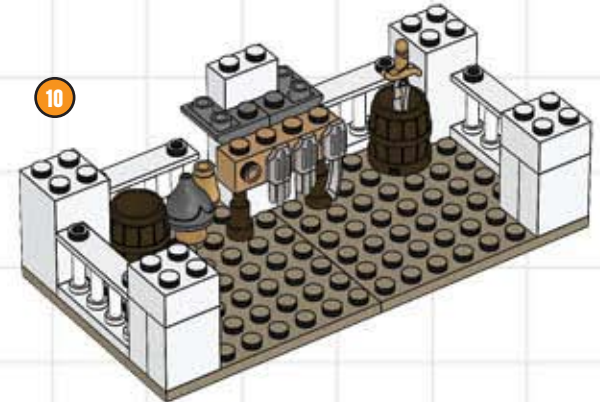
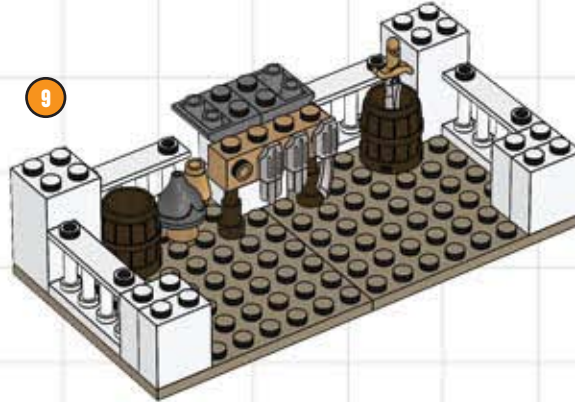
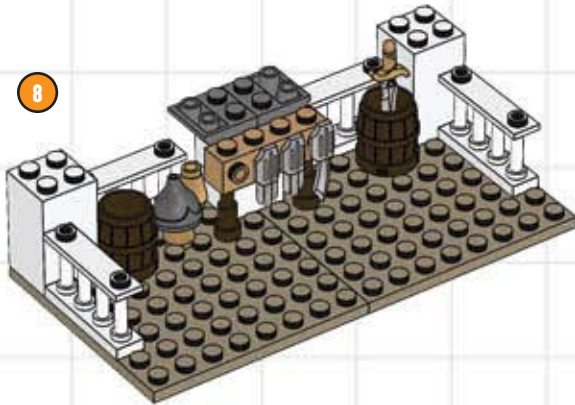
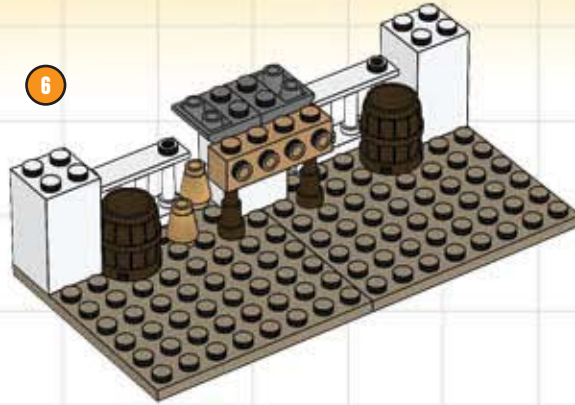
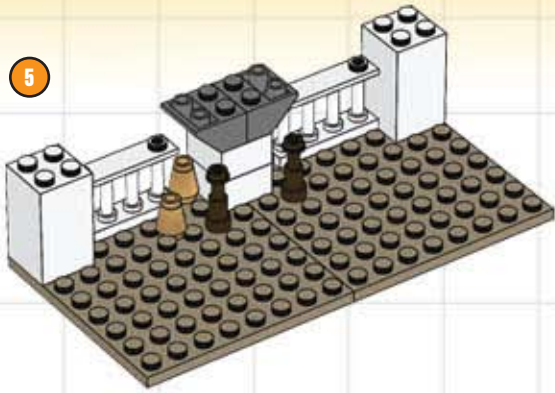
17: A large assembly of grey and tan Technic parts, including a tan 1x2 Technic axle hole connector, a grey 1x2 Technic axle hole connector, a white 1x2 Technic axle hole connector, and a red axle. A yellow arrow points to the assembly.

18: A large assembly of grey and tan Technic parts, including a tan 1x2 Technic axle hole connector, a grey 1x2 Technic axle hole connector, a white 1x2 Technic axle hole connector, and a red axle. A yellow arrow points to the assembly.

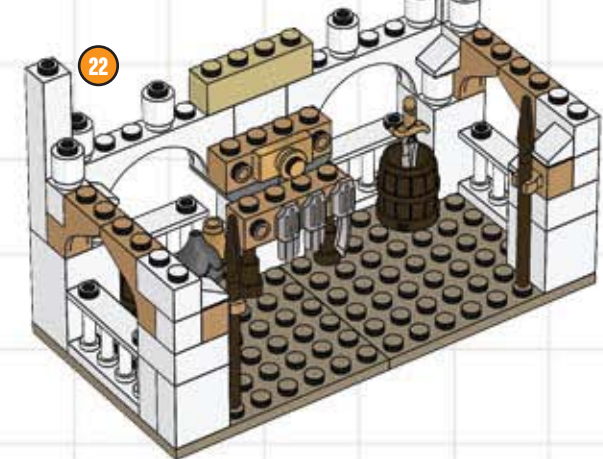
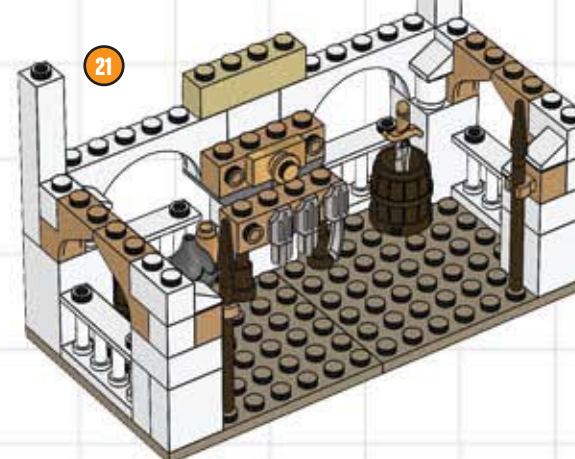
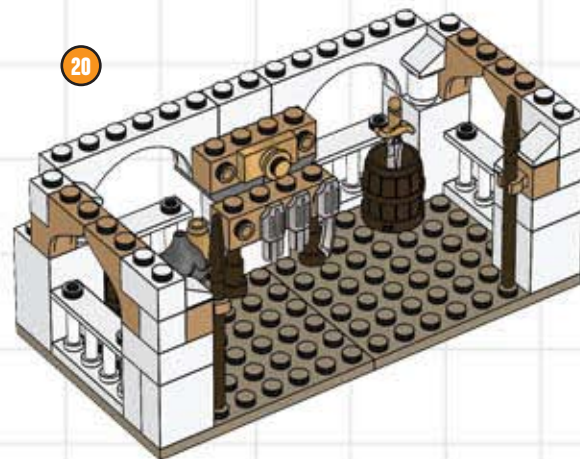
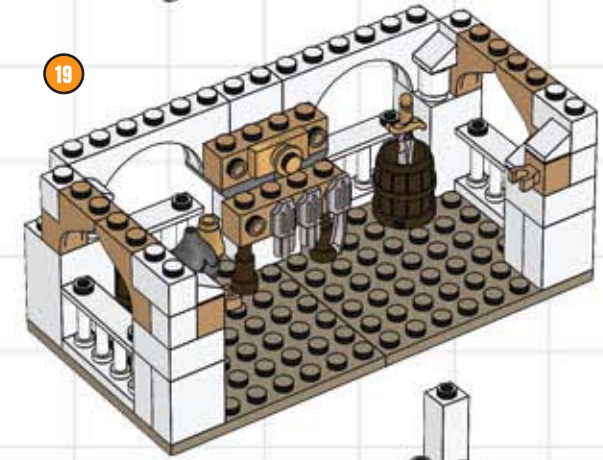
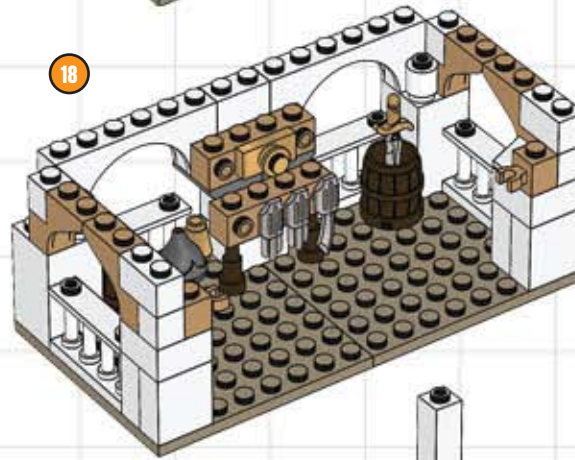
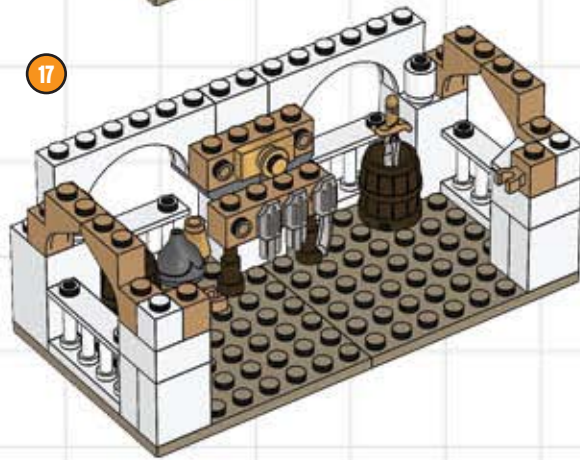
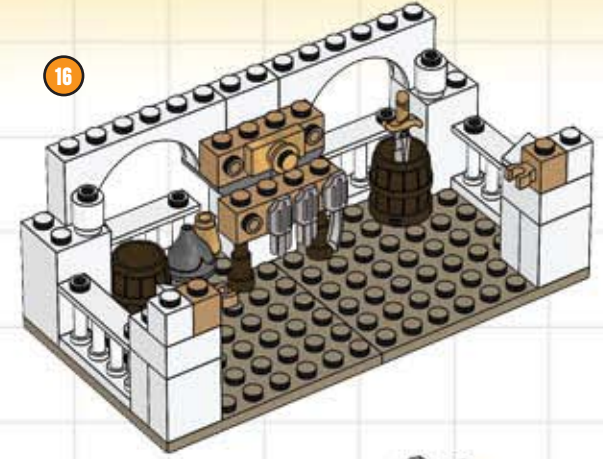
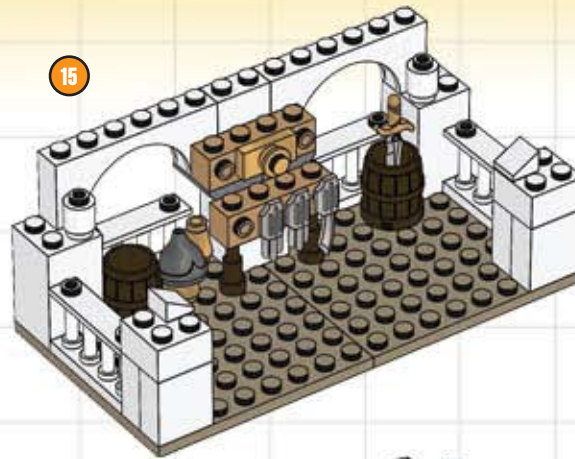
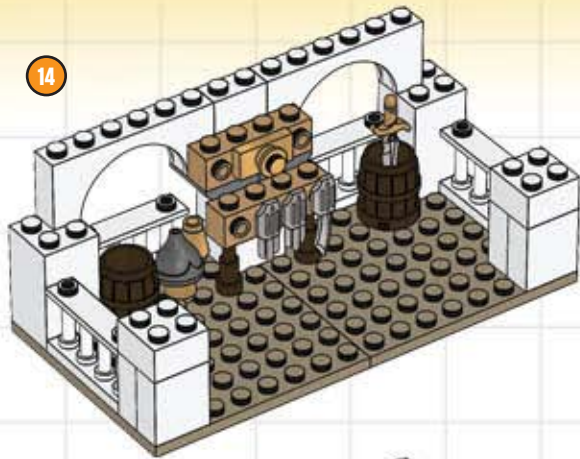
LEGO® PRINCE OF PERSIA BUILDING STEPS!



LEGO® PRINCE OF PERSIA BUILDING STEPS!



LEGO® PRINCE OF PERSIA BUILDING STEPS!



LEGO and the LEGO Logo are trademarks of the LEGO Group. © 2010 The LEGO Group.