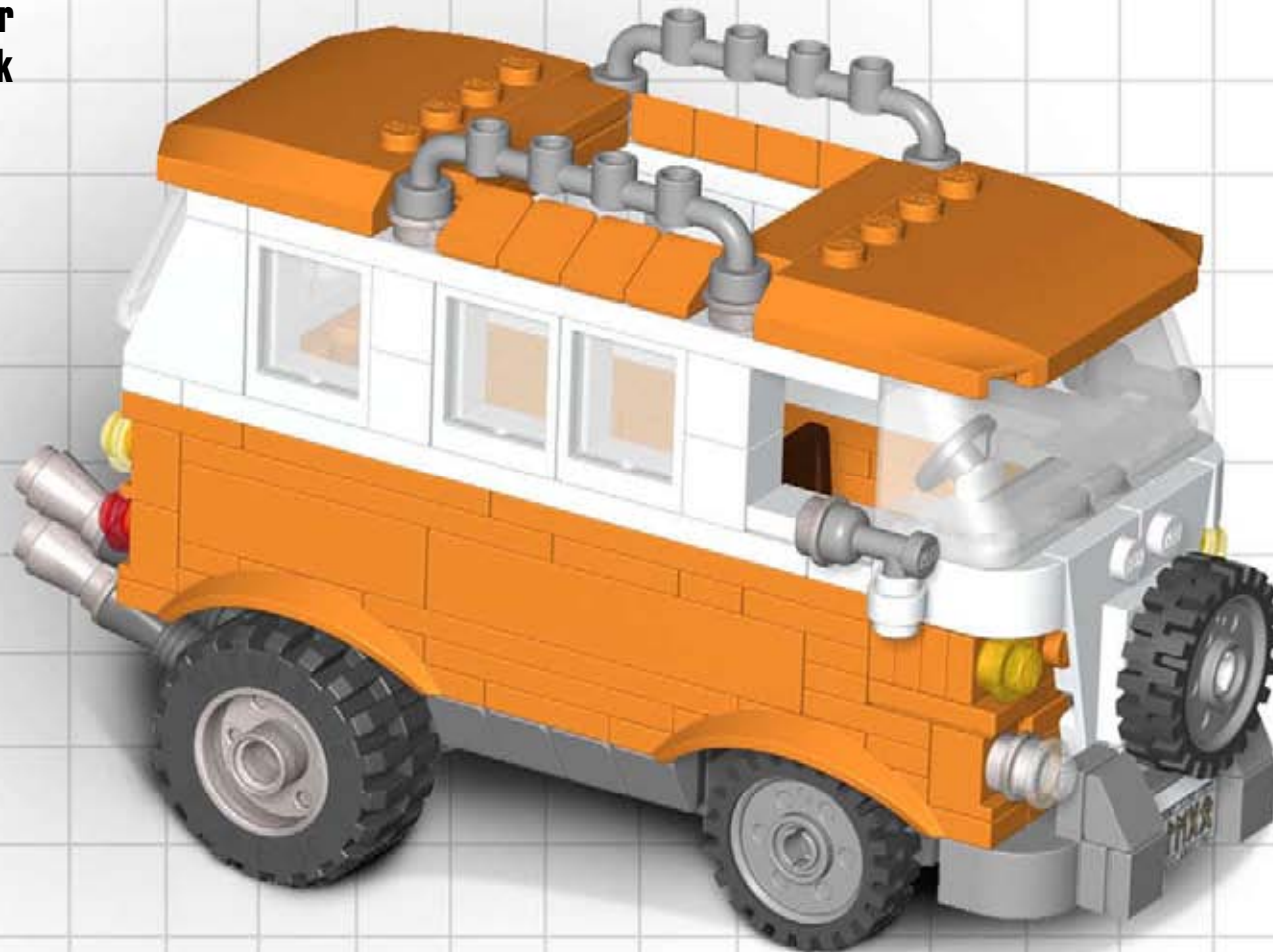


ROCK BAND BUS!

BAUANLEITUNG

Baue aus den Teilen deiner
LEGO Sammlung einen Rock
Band Tour-Bus!



ROCK BAND BUS!

BAUANLEITUNG

1

2

3.1

3.2

x2

4

5

6

7

8

9

10

11

12.1

12.2

13

14.1

14.2

15

16

17.1

17.2

17.3

17.4

ROCK BAND BUS!

BAUANLEITUNG

This assembly guide consists of 15 steps, each showing a different view of the Rock Band Bus! sub-assembly. The parts are color-coded: orange for the main body, grey for the motor and gears, and brown for the drum. Red arrows indicate the placement and orientation of parts.

- 18.1** and **18.2**: Two grey 1x2 Technic bricks with holes.
- 18.3** and **18.4**: Two grey 1x2 Technic bricks with holes, shown as **x2**.
- 19**: A grey motor with a drum.
- 20.1** and **20.2**: Two grey Technic pins.
- 20.3**: A grey Technic axle with a bush, shown as **x4**.
- 21**: A grey gear assembly.
- 22**: The assembly with the motor and gear assembly attached to the orange Technic base.
- 23**: The assembly with a grey Technic brick added to the front.
- 24**: The assembly with a grey Technic brick added to the front.
- 25.1**: A grey 1x2 Technic brick with a hole.
- 25.2**: A grey Technic axle with a bush, shown as **x2**.
- 26**: The assembly with the grey 1x2 Technic brick and axle added to the front.
- 27**: The assembly with a brown Technic drum added to the front.
- 28.1** and **28.2**: Two orange 1x2 Technic bricks with holes.
- 28.3** and **28.4**: Two orange 1x2 Technic bricks with holes, shown as **x2**.
- 29**: The assembly with the orange 1x2 Technic bricks added to the front.
- 30**: A grey Technic axle with a bush, shown as **x2**.
- 31**: The assembly with the grey Technic axle and bush added to the front.
- 32**: The assembly with a brown Technic drum added to the front.
- 33**: The assembly with a brown Technic drum added to the front.
- 34**: The assembly with a brown Technic drum added to the front.
- 35**: The assembly with a brown Technic drum added to the front.

ROCK BAND BUS!

BAUANLEITUNG

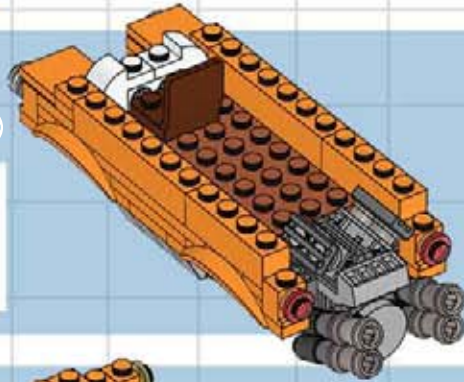
UMDREHEN



36

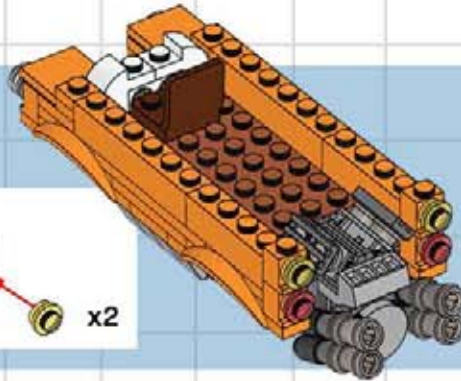


37

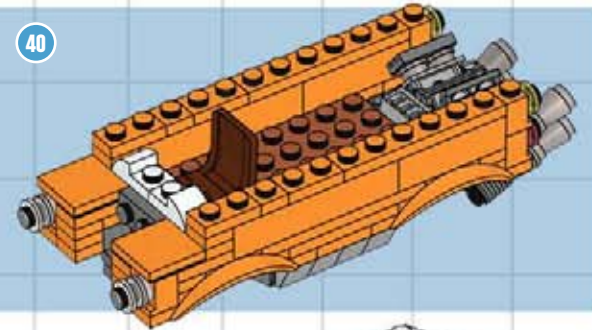


39

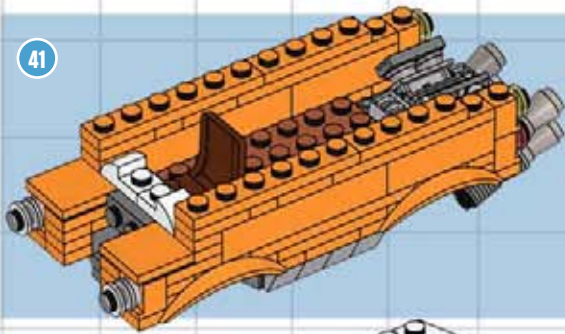
38



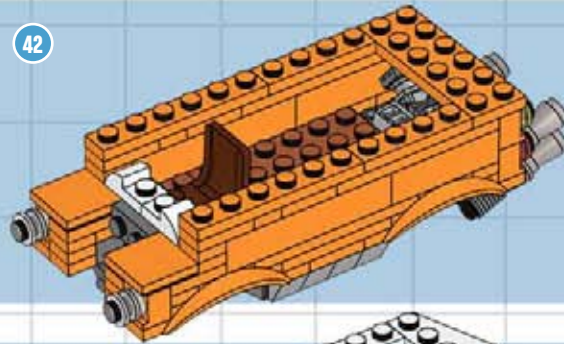
40



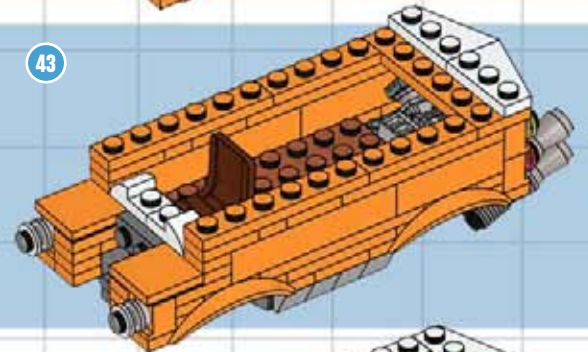
41



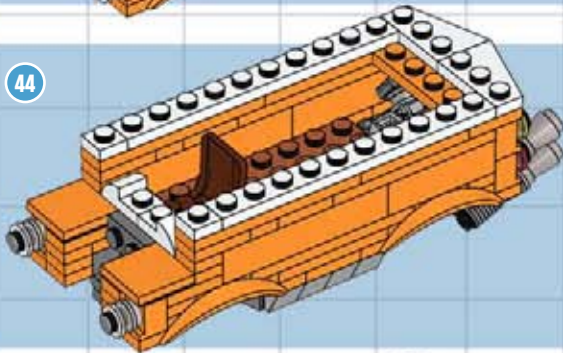
42



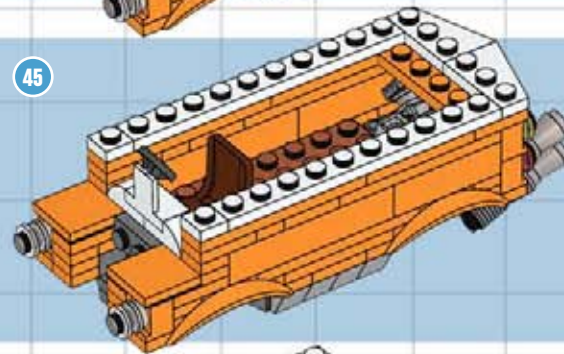
43



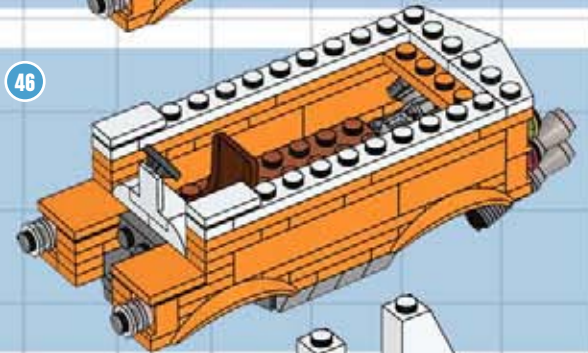
44



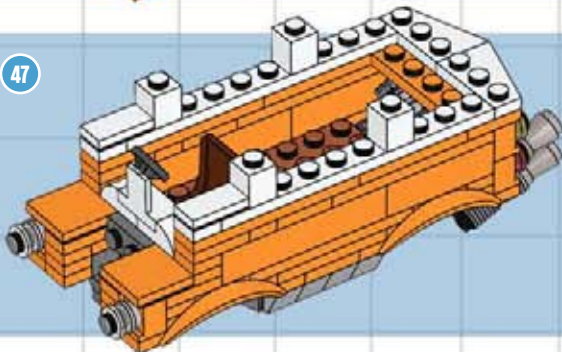
45



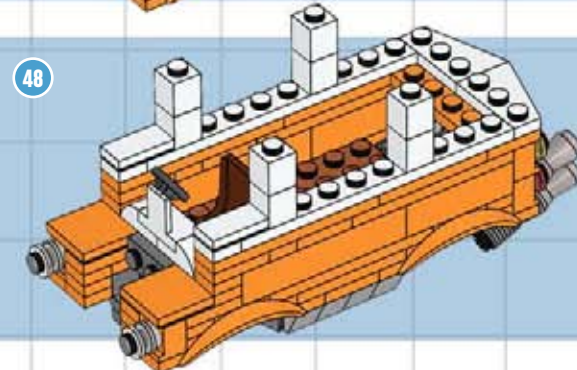
46



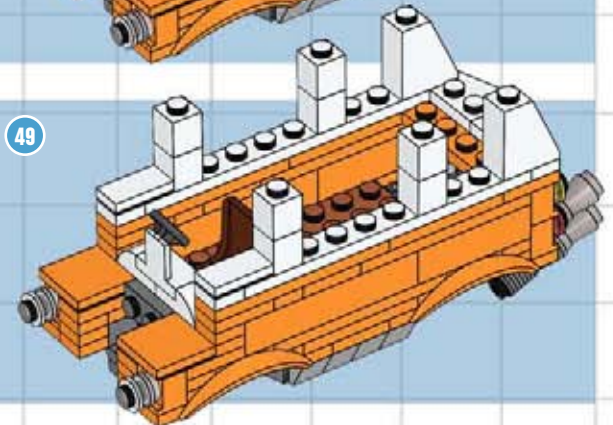
47



48



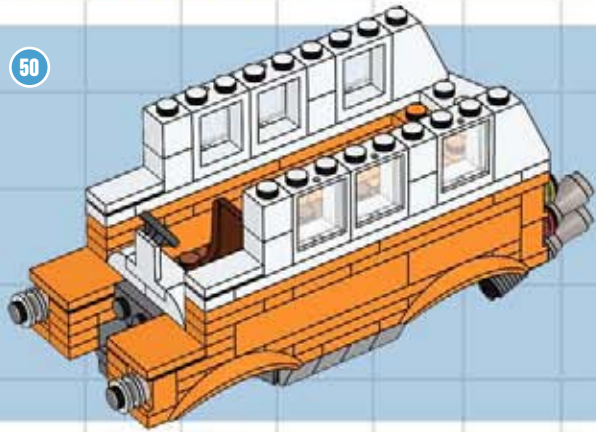
49



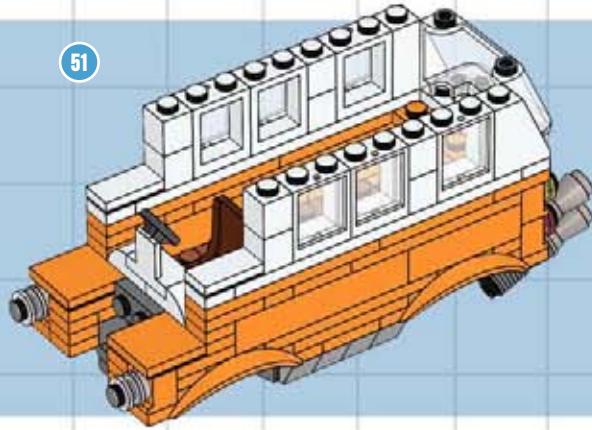
ROCK BAND BUS!

BAUANLEITUNG

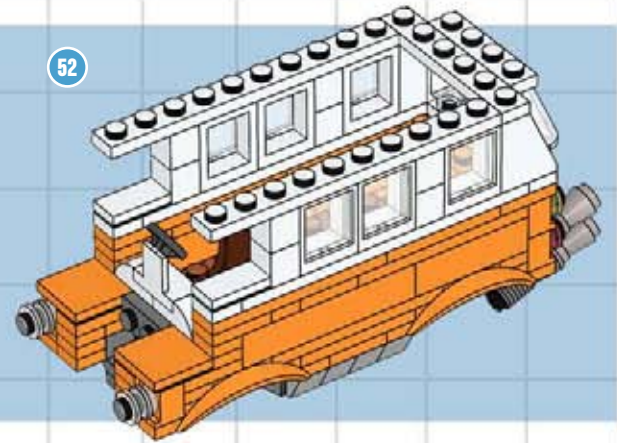
50



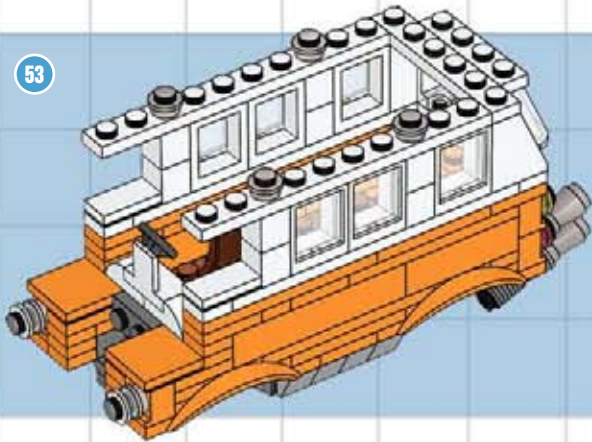
51



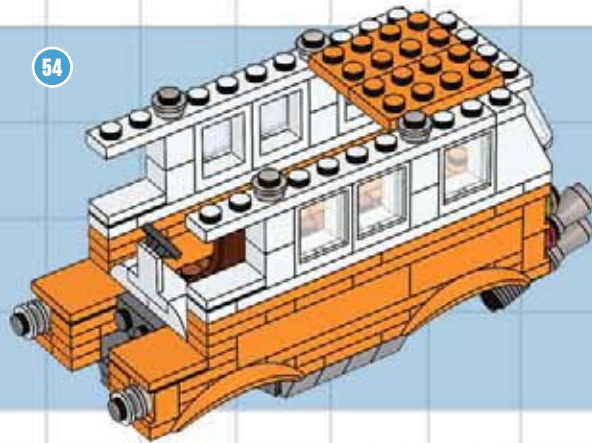
52



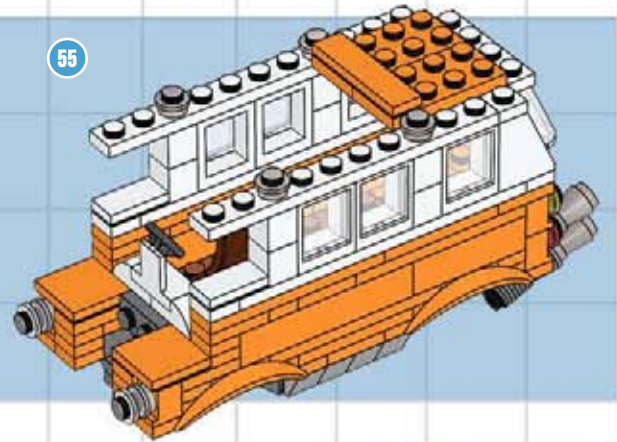
53



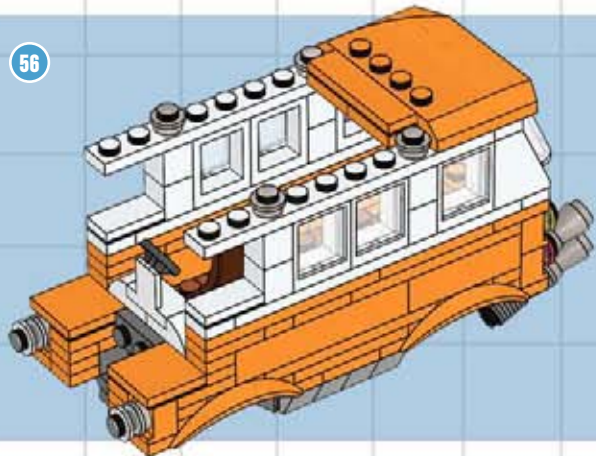
54



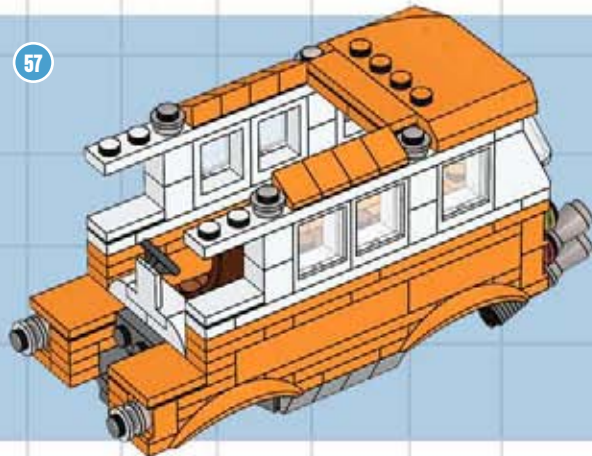
55



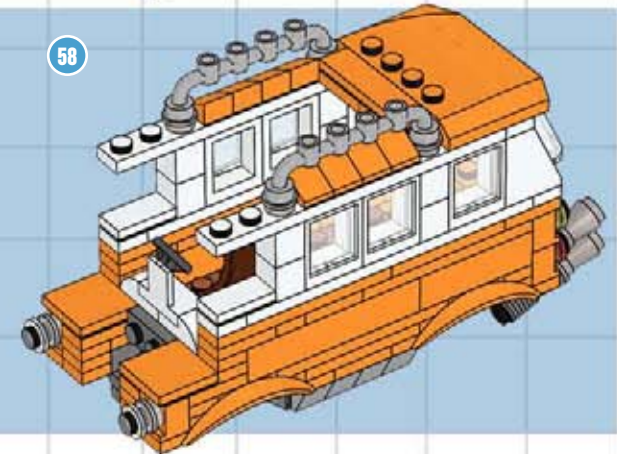
56



57












58



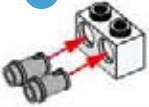











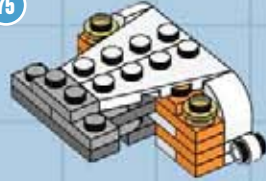
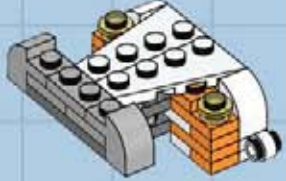
ROCK BAND BUS!




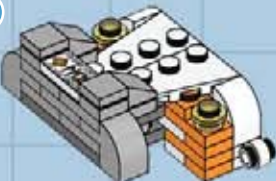
BAUANLEITUNG

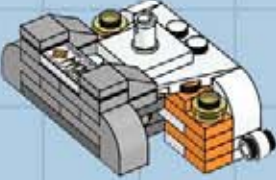



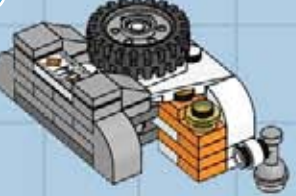
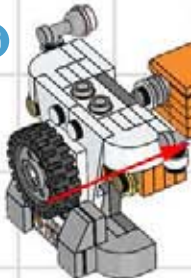


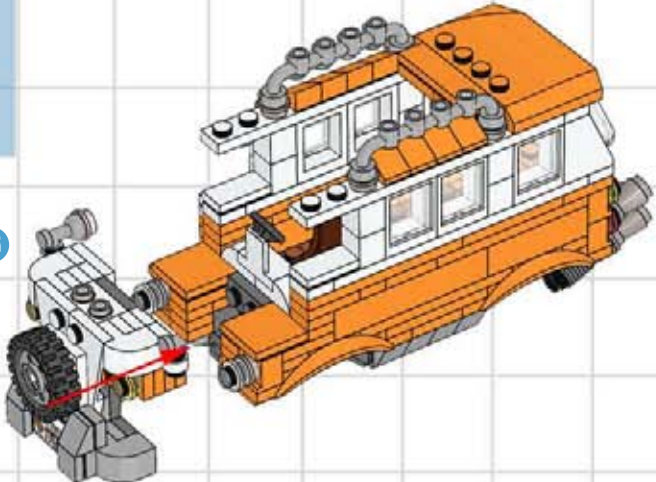
59  60  61.1  61.2  62  63.1  63.2  63.3  64 

65  66.1  66.2  67  68  69  70 

71  72  73.1  73.2  74  75  76 

77  78  79  80 

81  82  83.1  83.2  x2 84  85 



ROCK BAND BUS!

BAUANLEITUNG

86



87



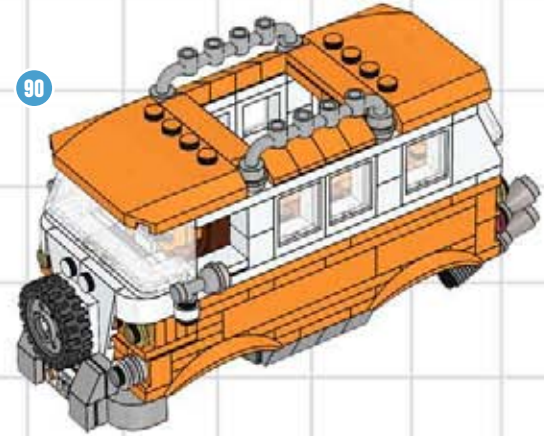
88



89



90



91.1



91.2



91.3



92.1



92.2



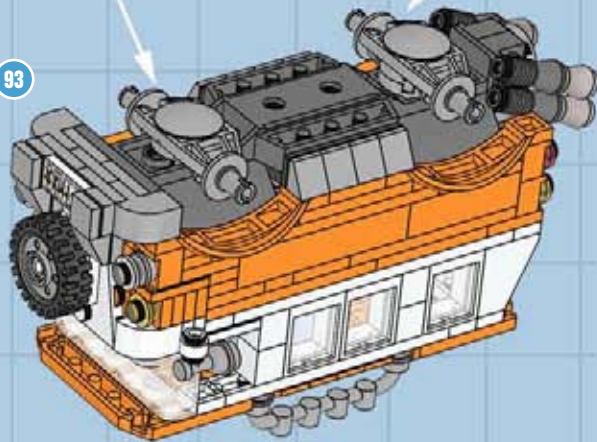
92.3



92.4



93



FERTIG

