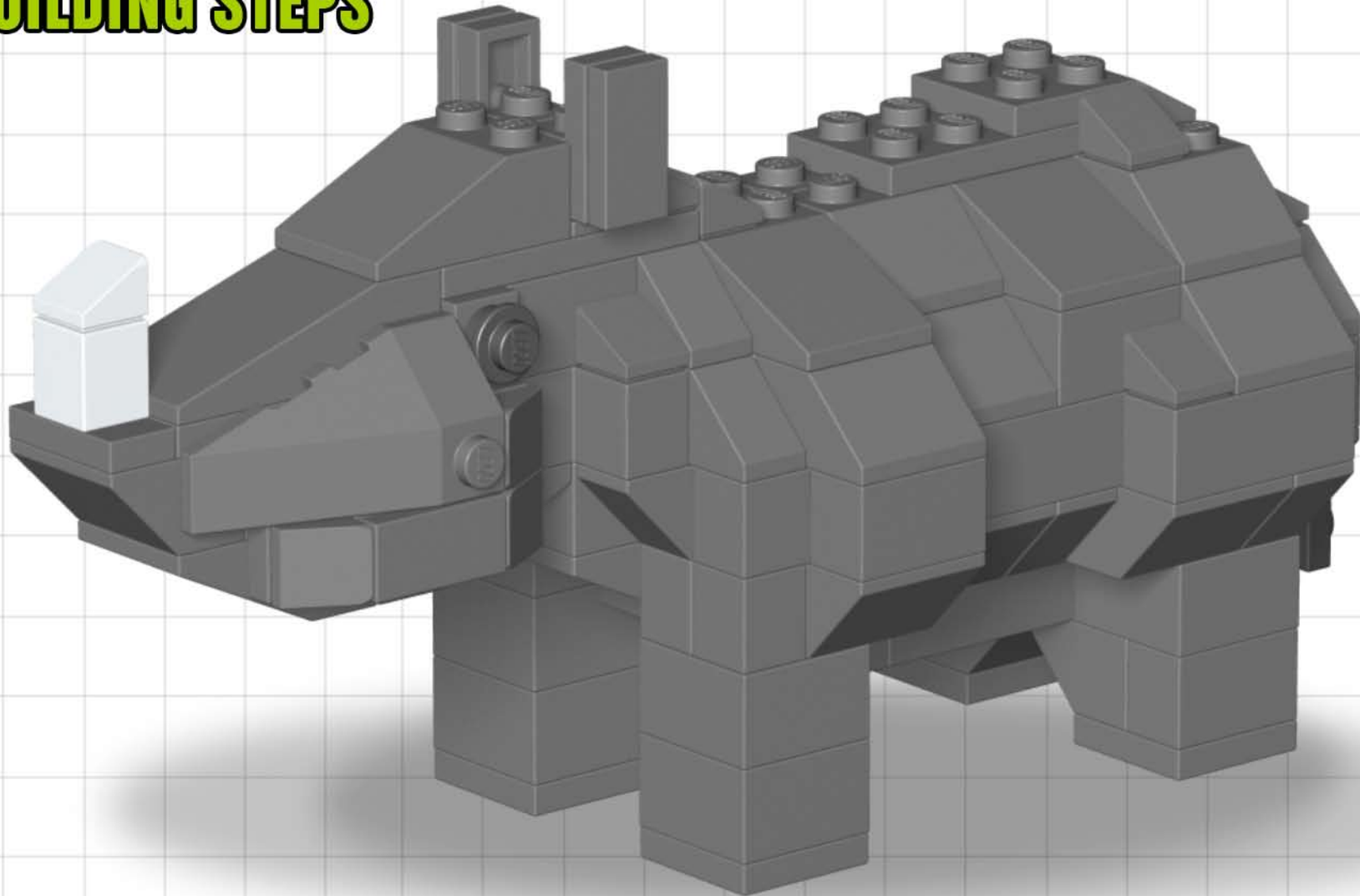


RHINO!

BUILDING STEPS

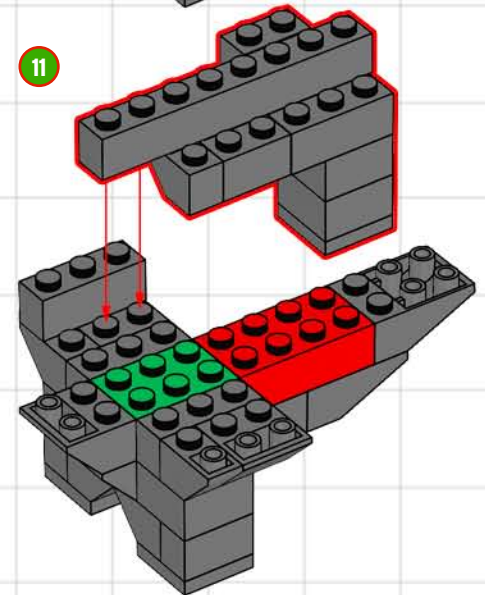
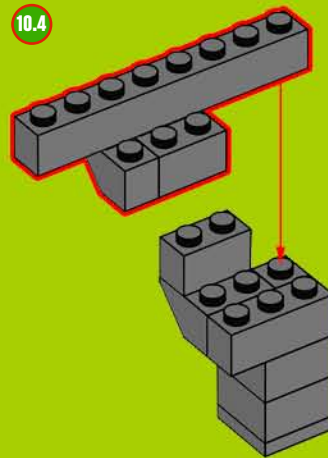
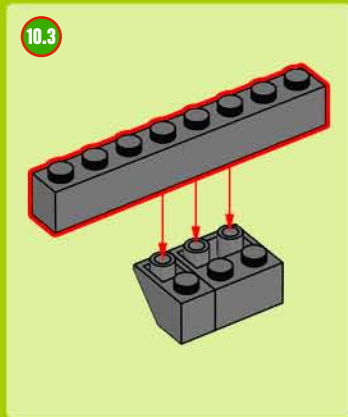
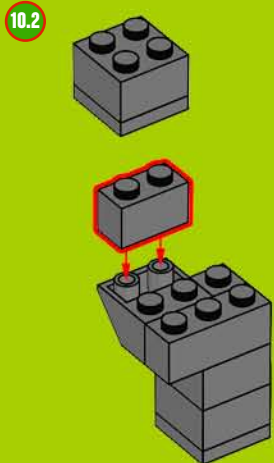
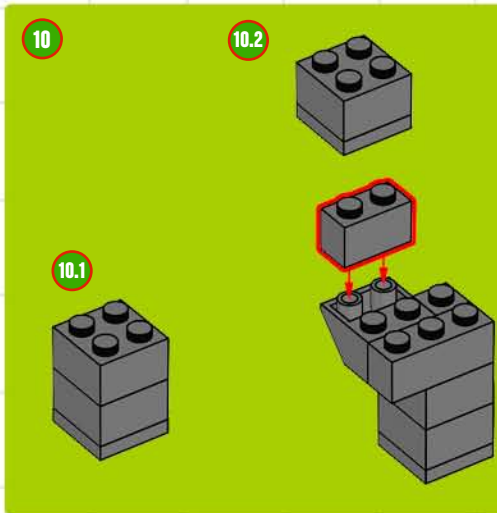
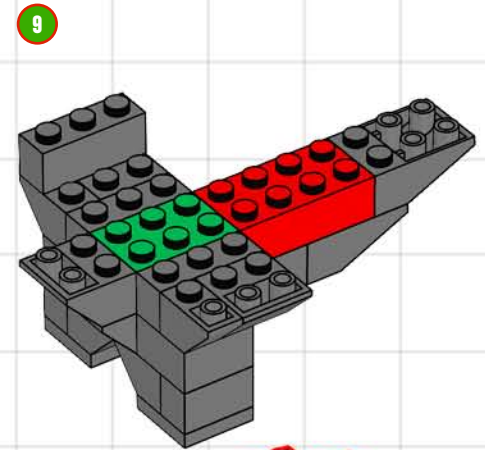
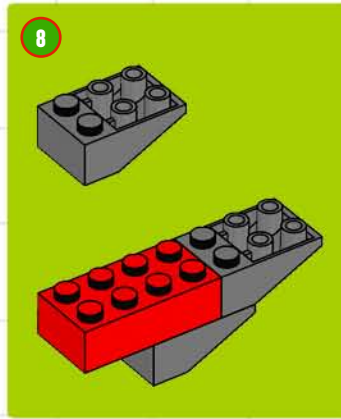
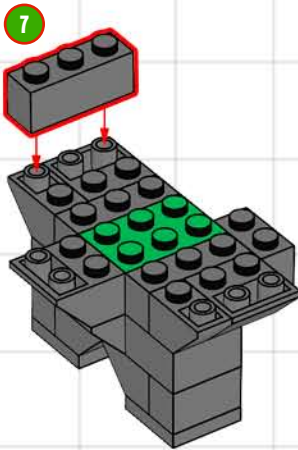
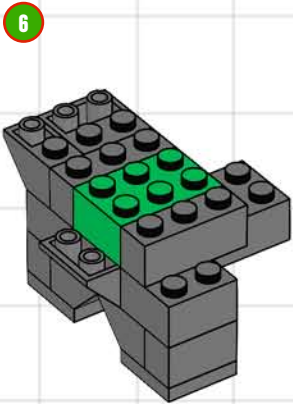
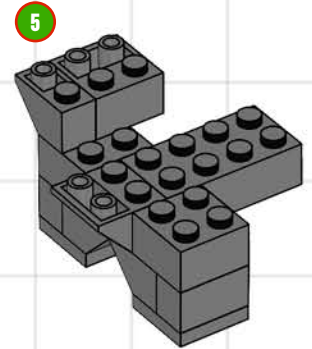
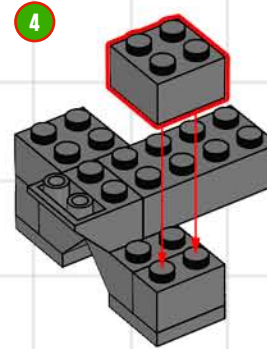
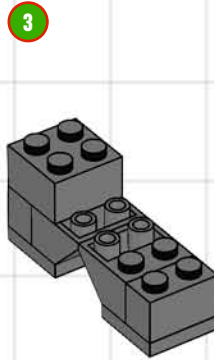
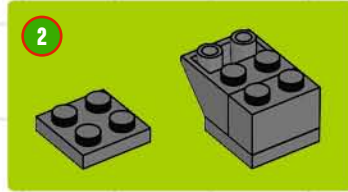
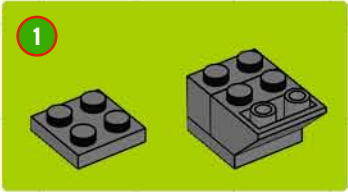
You can build this rollicking and riotous rhinoceros using pieces from your own LEGO® brick collection! Don't have enough grey bricks? No problem - go ahead and make it any color you want!





club

RHINO!
BUILDING STEPS



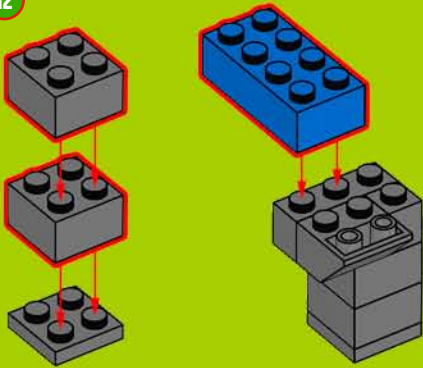


club

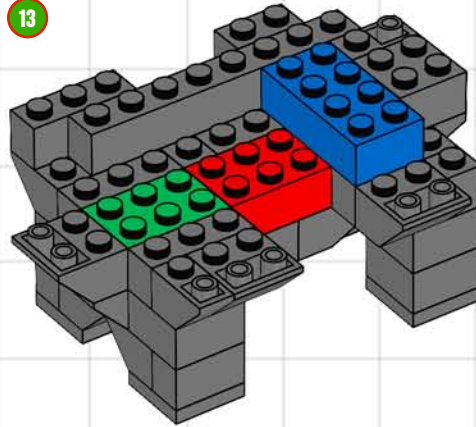
RHINO!

BUILDING STEPS

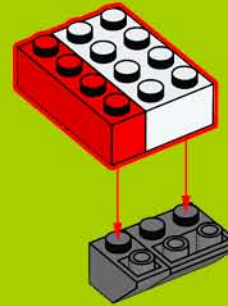
12



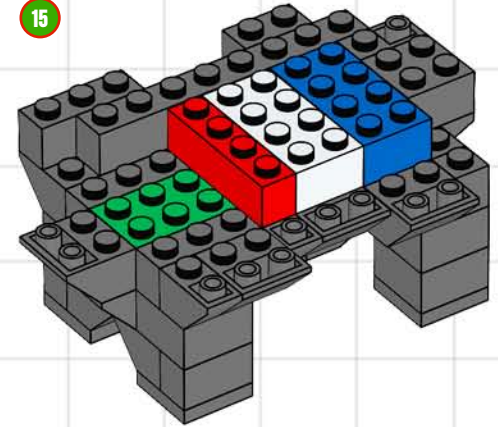
13



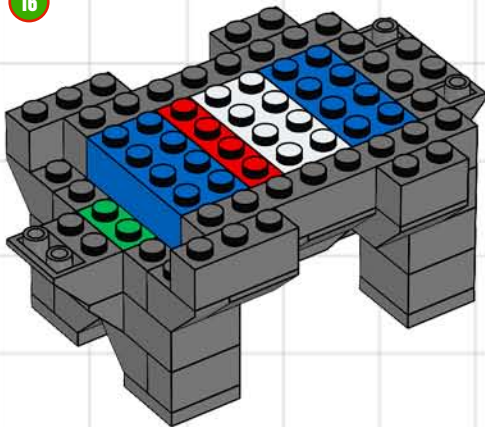
14



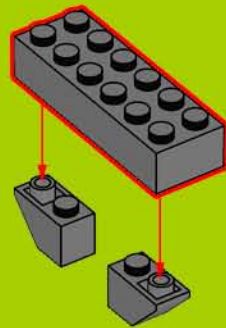
15



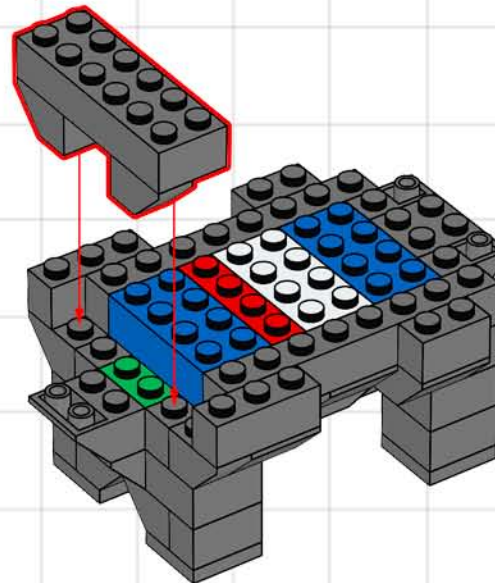
16



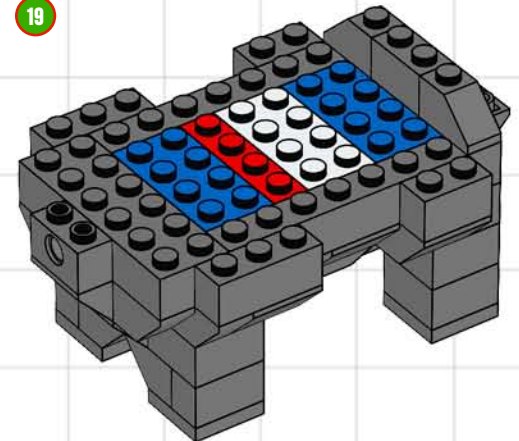
17



18



19

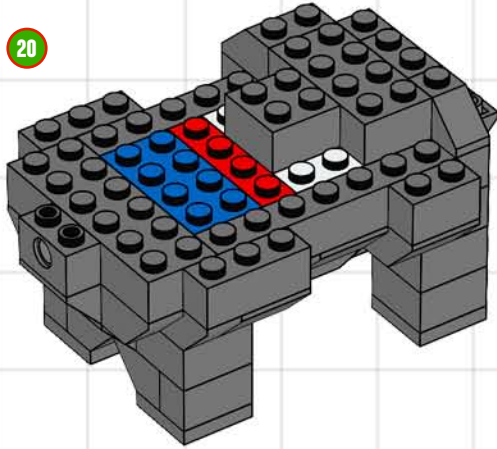




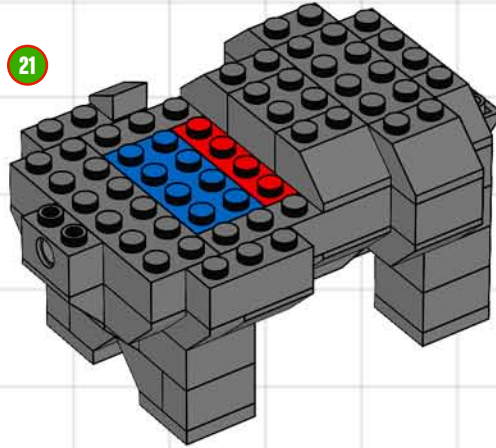
club

RHINO! BUILDING STEPS

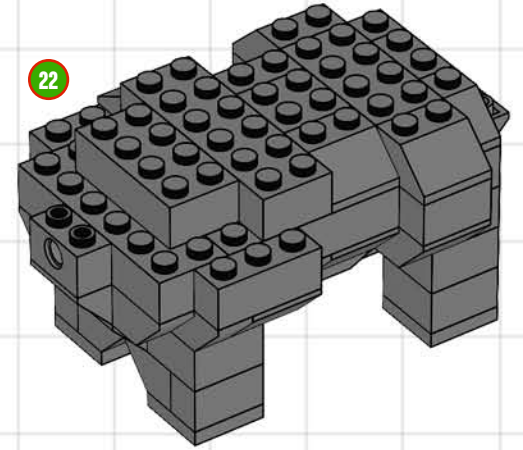
20



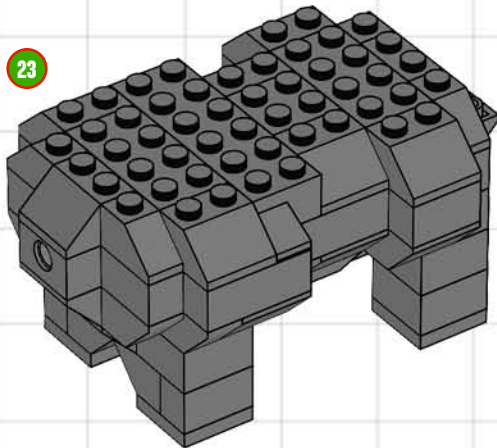
21



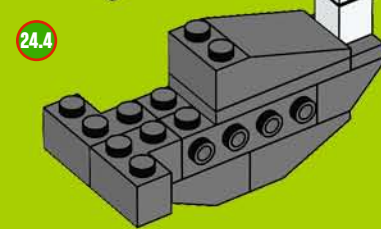
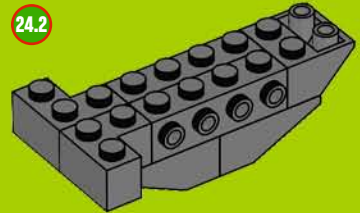
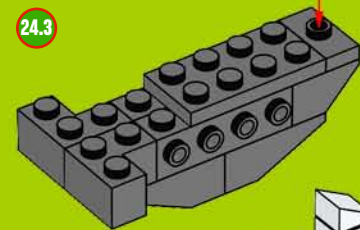
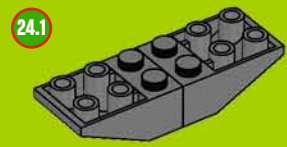
22



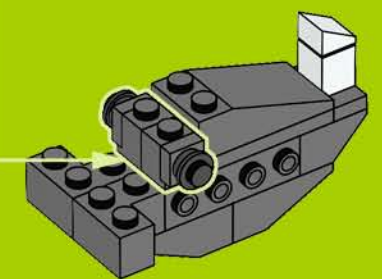
23



24



x2



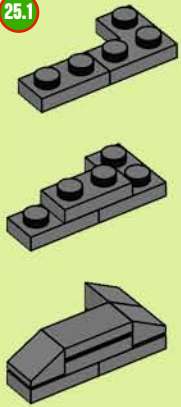


club

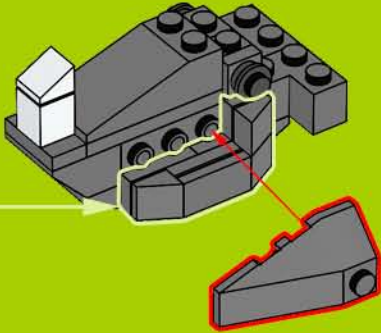
RHINO!
BUILDING STEPS

25

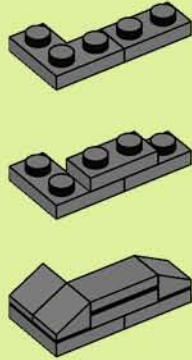
25.1



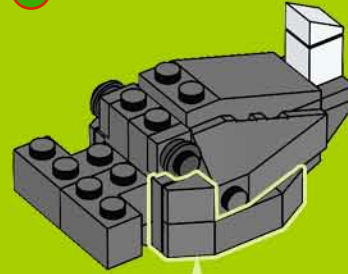
25.2



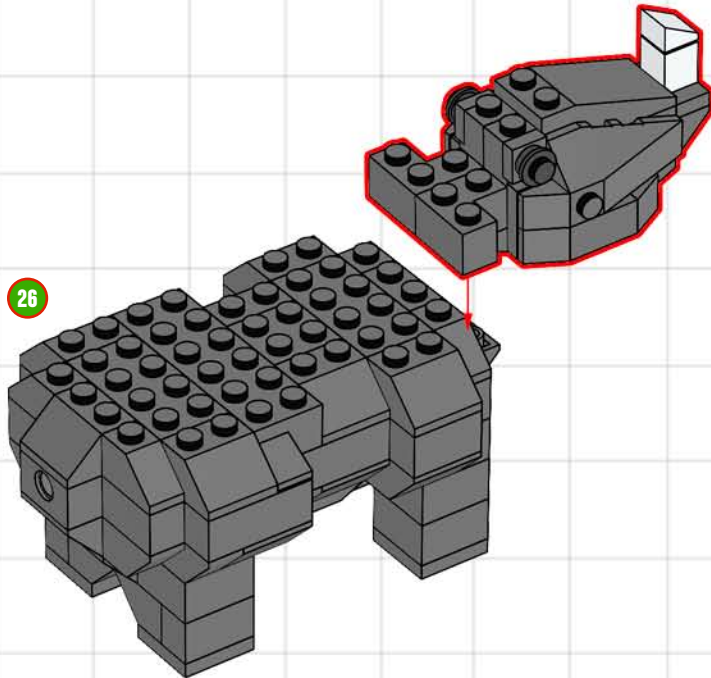
25.3



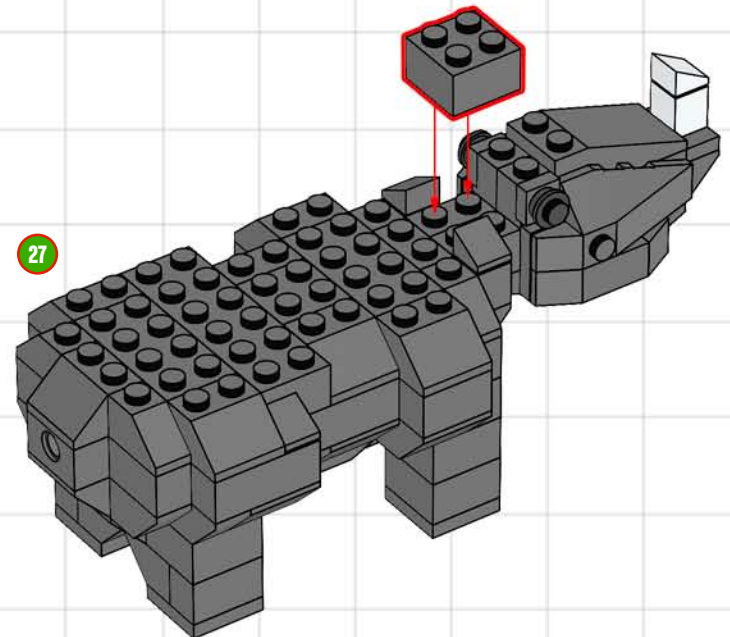
25.4



26



27

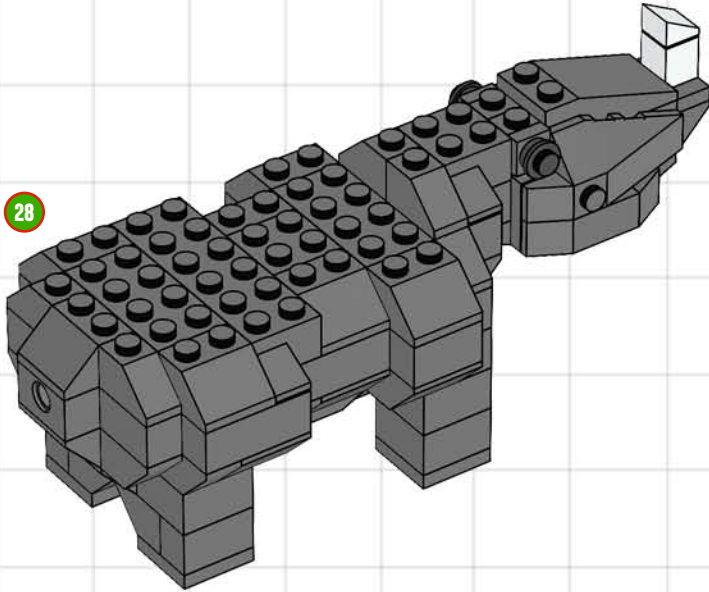




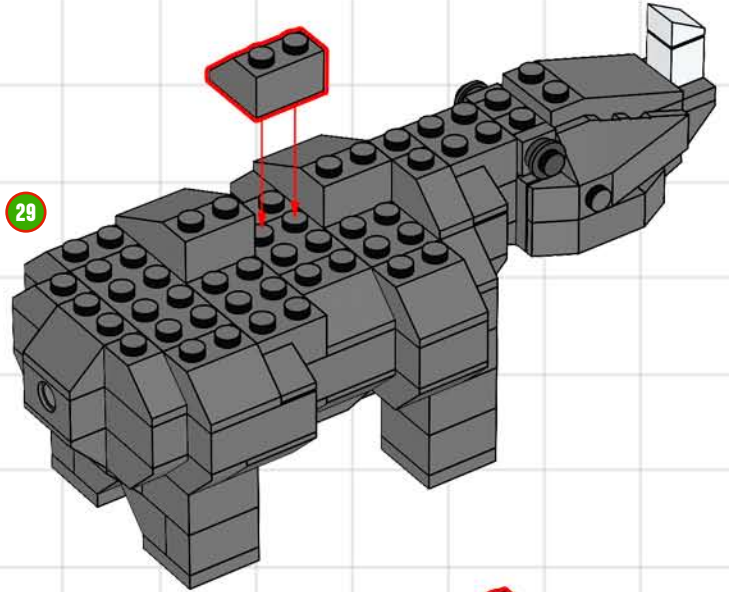
club

RHINO!
BUILDING STEPS

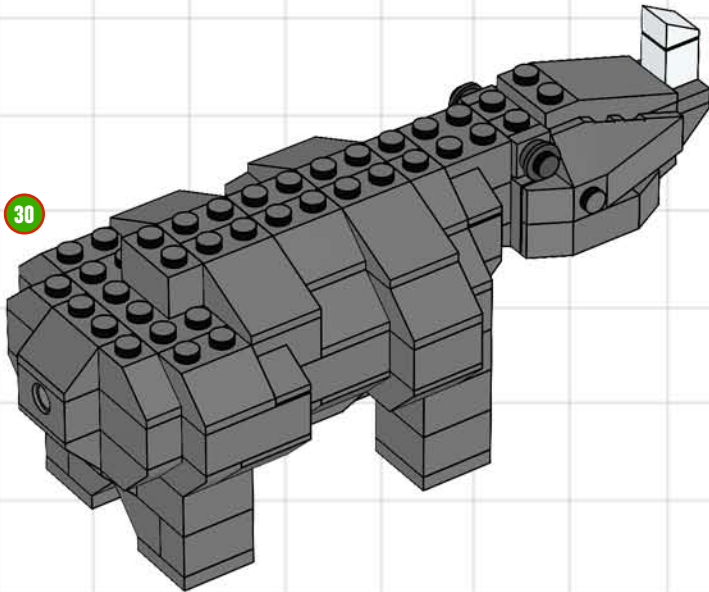
28



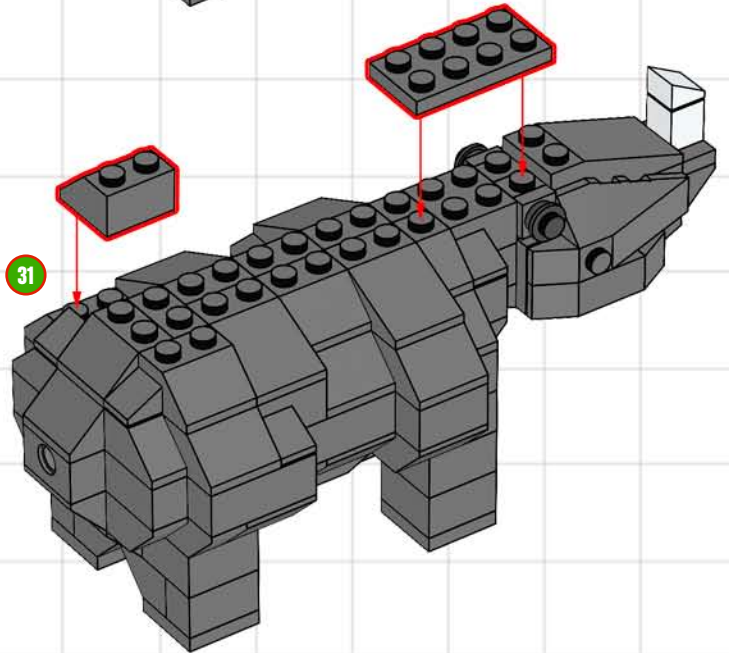
29



30



31

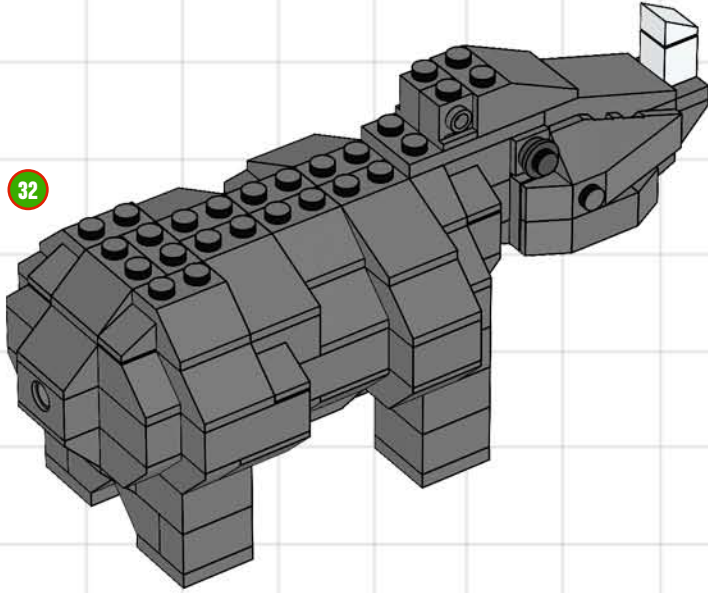




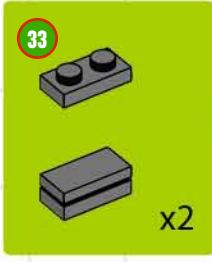
club

RHINO!
BUILDING STEPS

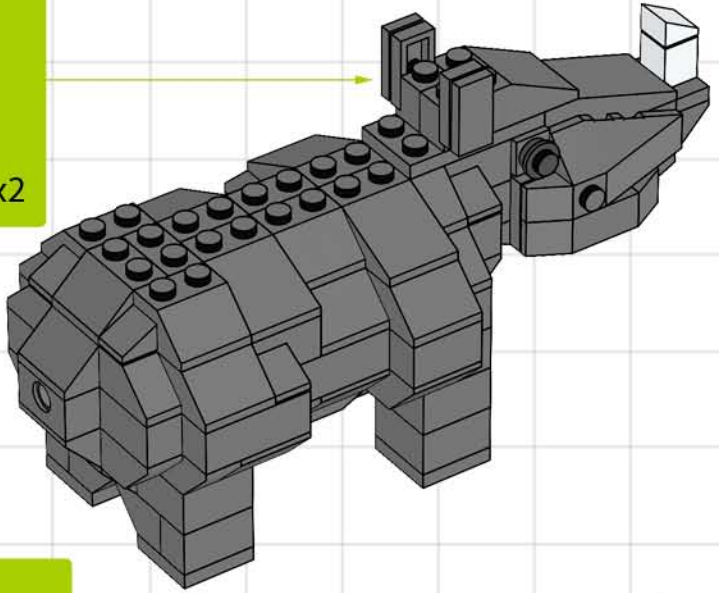
32



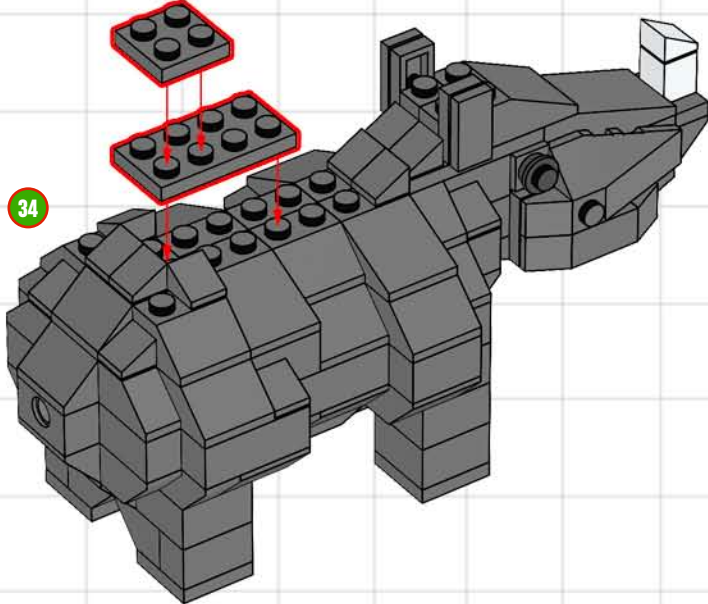
33



x2



34



FINAL

