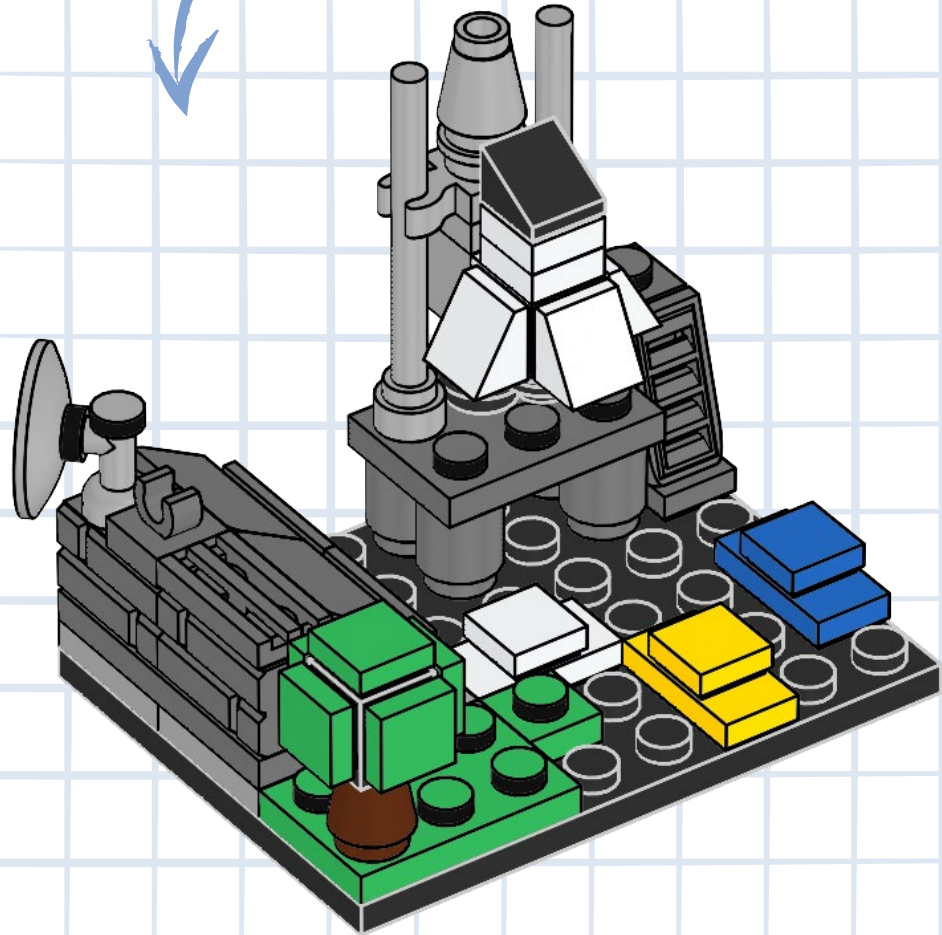




Handwritten blue text: *Handwritten text, possibly describing the minifigure or the scene.*

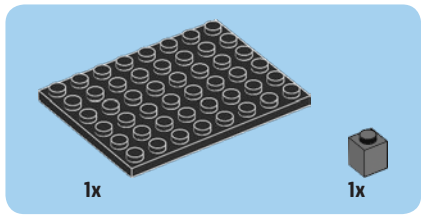


Handwritten blue text: *Handwritten text, possibly describing the microscope or the building process.*

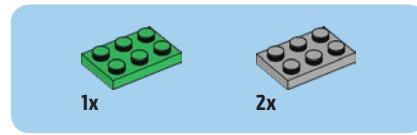
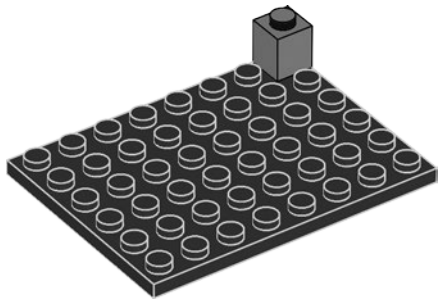


Handwritten blue text: *Handwritten text, possibly describing the microscope or the building process.*

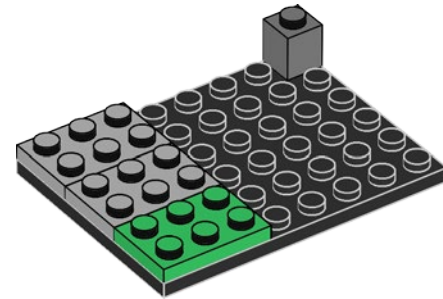
Handwritten blue text: *Handwritten text, possibly a signature or a date.*



1



2



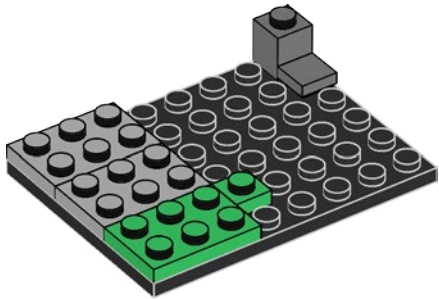


1x



1x

3



1x

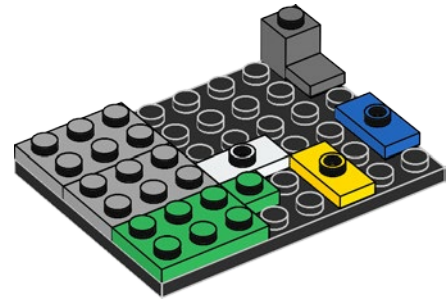


1x



1x

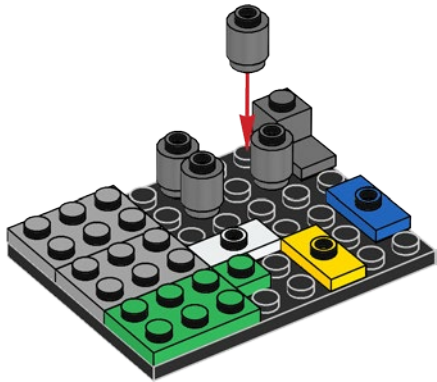
4





4x

5

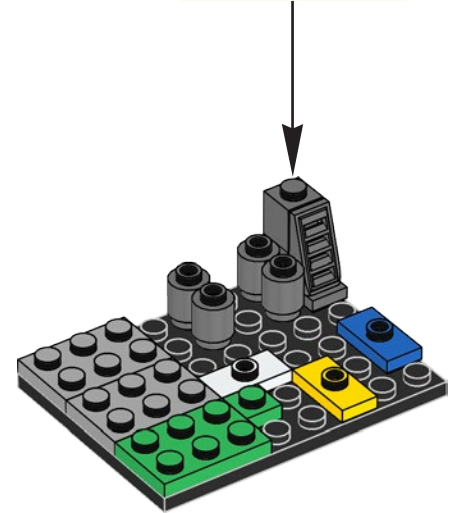
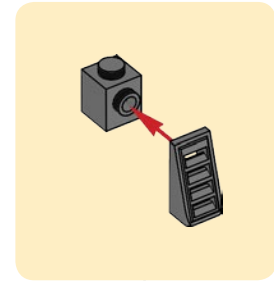


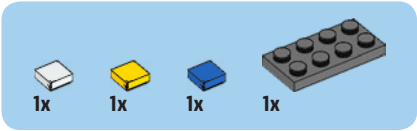
1x



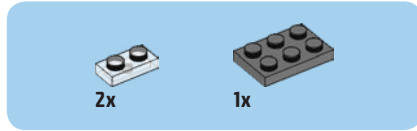
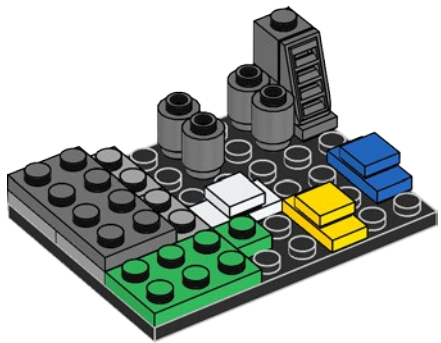
1x

6

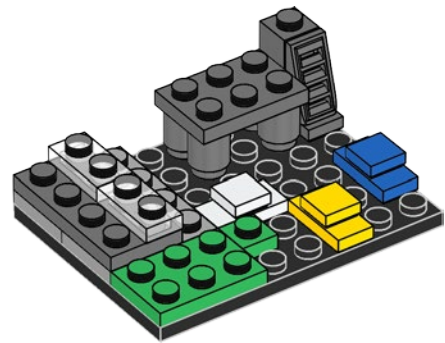




7



8



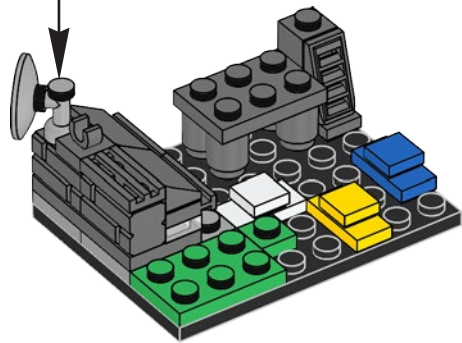
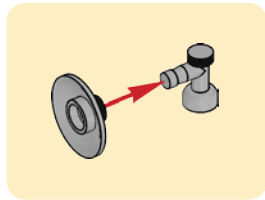


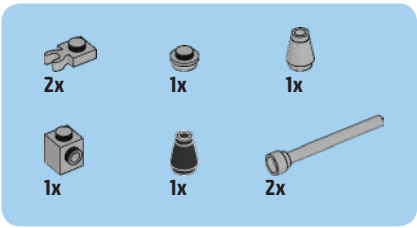
1x



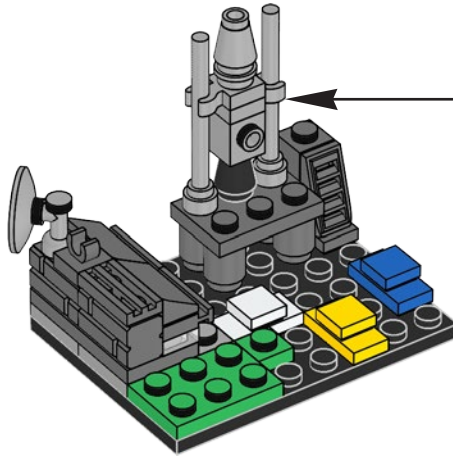
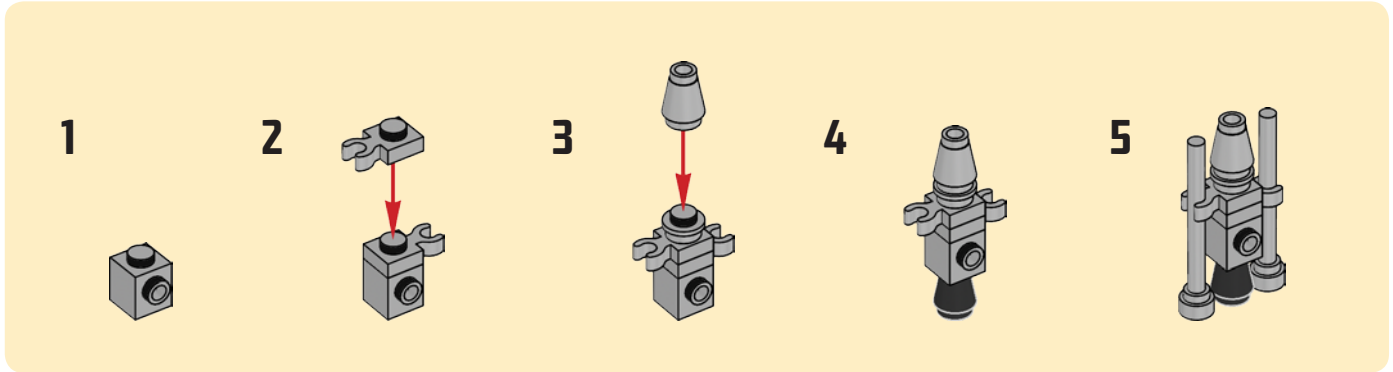
1x

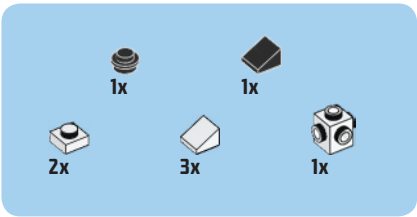
13



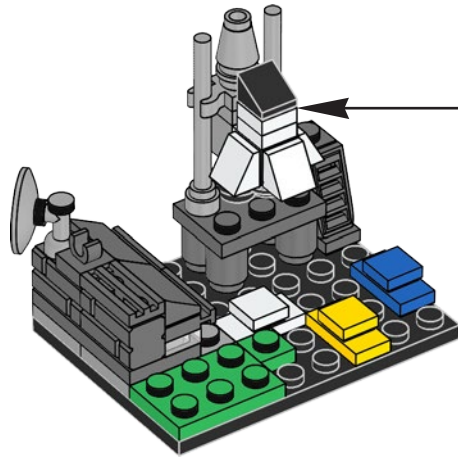
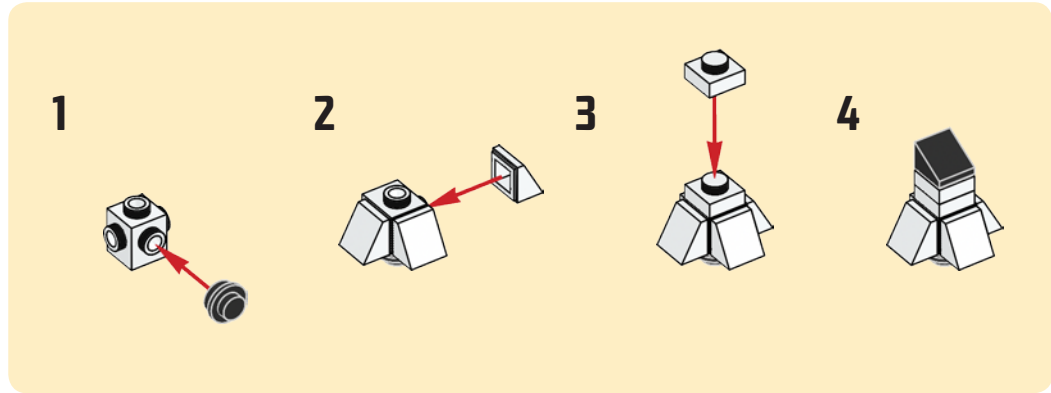


14





15





1x



1x



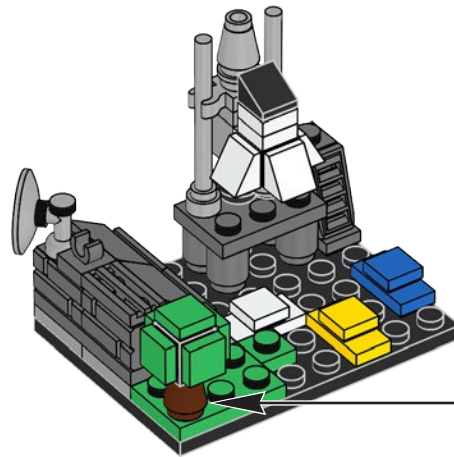
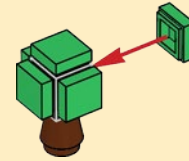
5x

16

1



2



-  3x
4504369
-  1x
307001
-  2x
302401
-  1x
4111971
-  1x
6051511
-  1x
4206330
-  1x
6092582
-  1x
307024
-  1x
6092583
-  1x
4529236
-  1x
614126

-  1x
4504382
-  1x
473326
-  1x
303626
-  5x
4558593
-  1x
302428
-  1x
302128
-  2x
4167842
-  1x
4529242
-  1x
4529241

-  1x
4211525
-  2x
4211503
-  1x
4558953
-  2x
4594238
-  2x
4211512
-  2x
4211396
-  2x
4211473
-  4x
4211090
-  1x
4558955
-  1x
6071226

-  1x
4211098
-  1x
4210848
-  2x
4567887
-  1x
4540386
-  1x
4210631
-  2x
6000311
-  2x
4543086
-  1x
4211043
-  1x
4211065