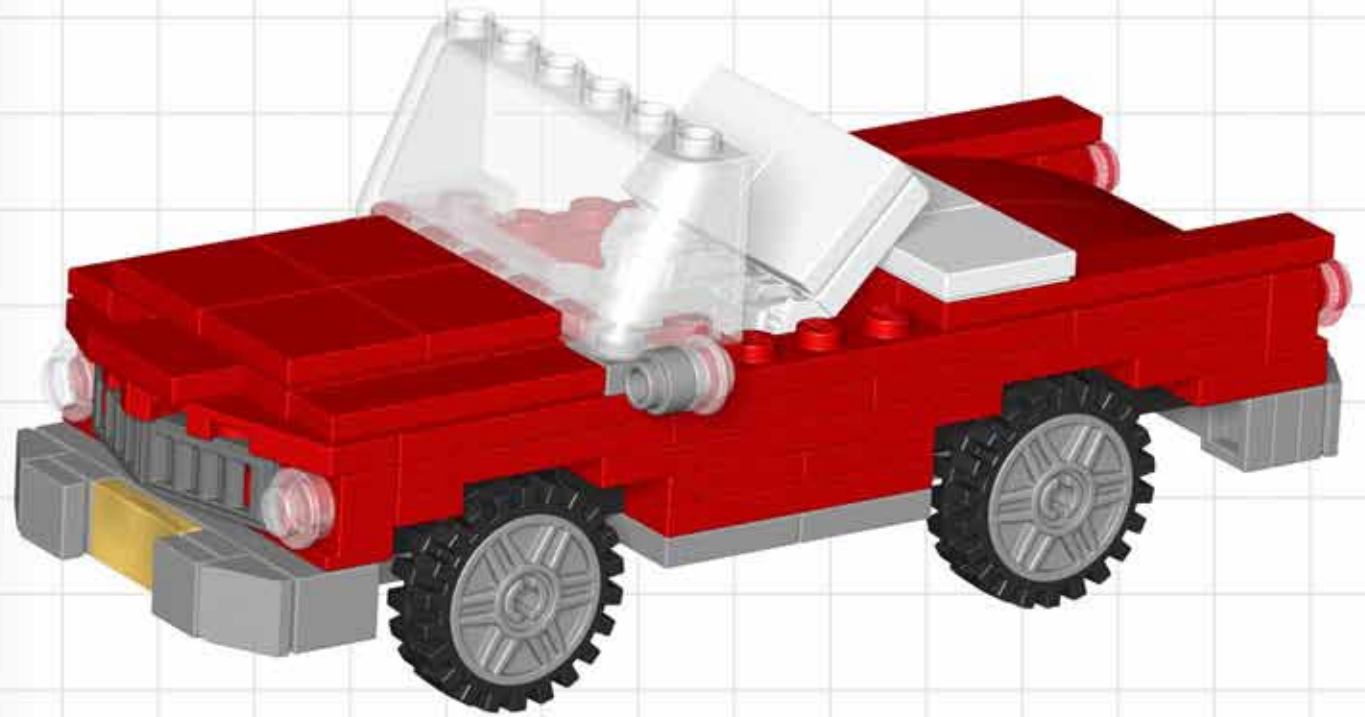


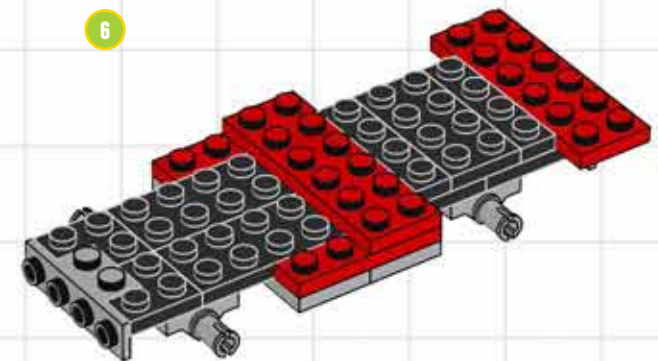
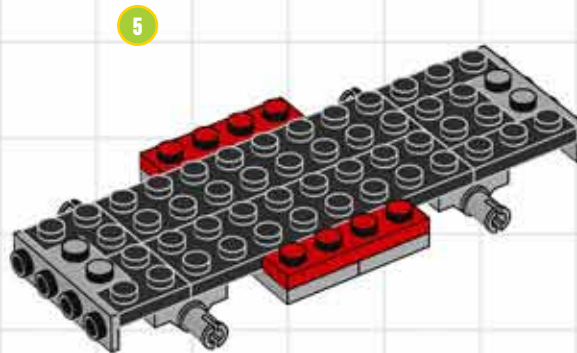
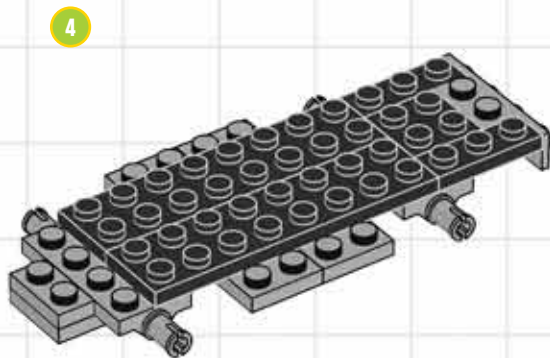
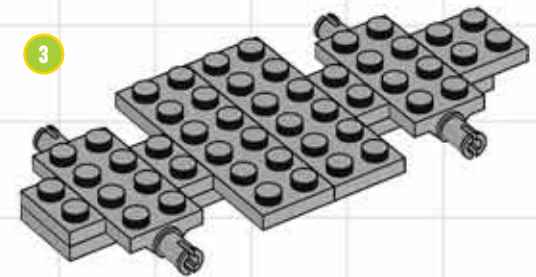
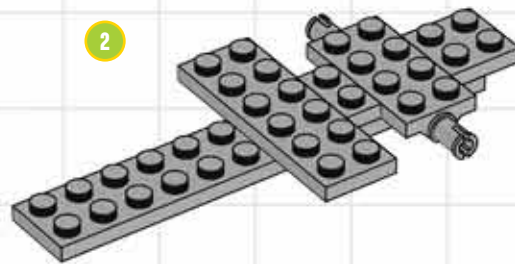
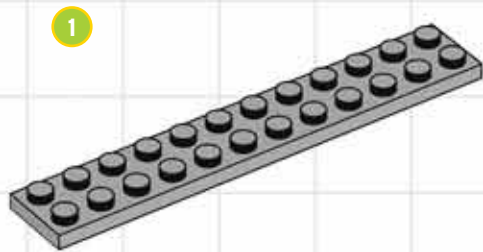
BUILD A CONVERTIBLE!

A convertible is a sports car, usually with a top that can be raised or lowered depending on the weather. On a nice day, you can ride around in a convertible enjoying the fresh air and sunshine. Before the first closed-body car was introduced by Cadillac in 1910, all cars were convertibles!

You can build this convertible using pieces from your LEGO collection.

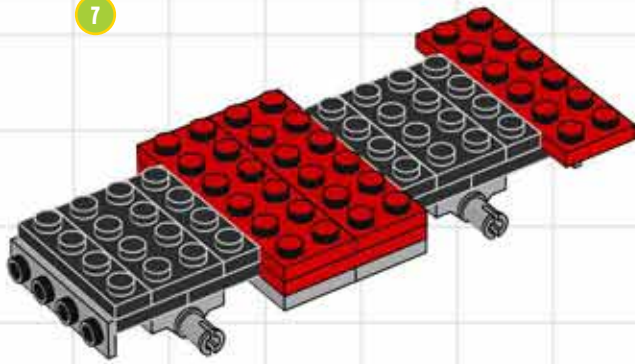


CONVERTIBLE BUILDING STEPS!

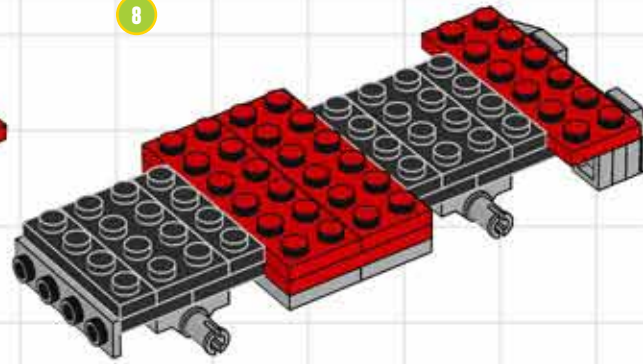


CONVERTIBLE BUILDING STEPS!

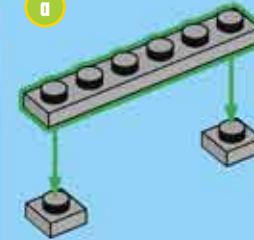
7



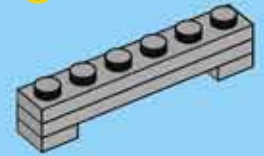
8



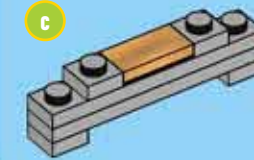
a



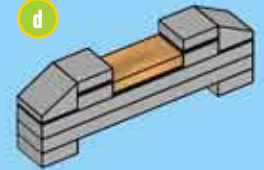
a



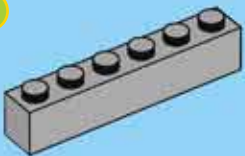
c



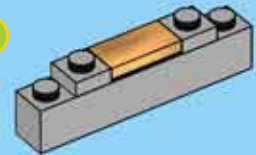
d



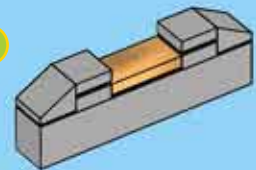
a



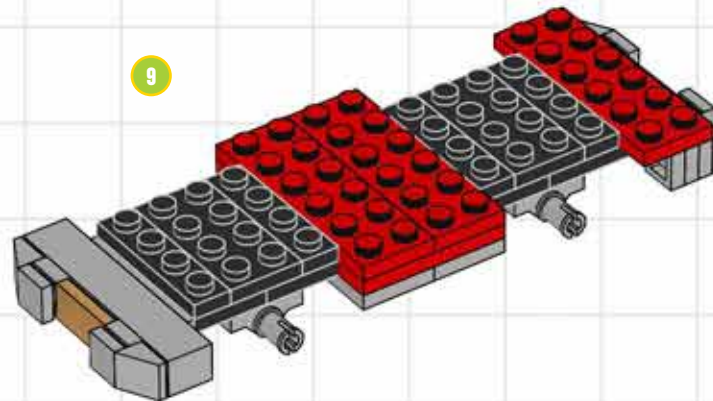
b



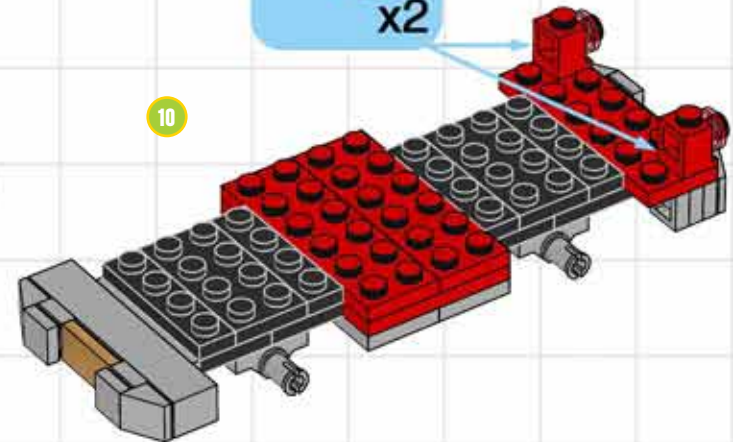
c



9

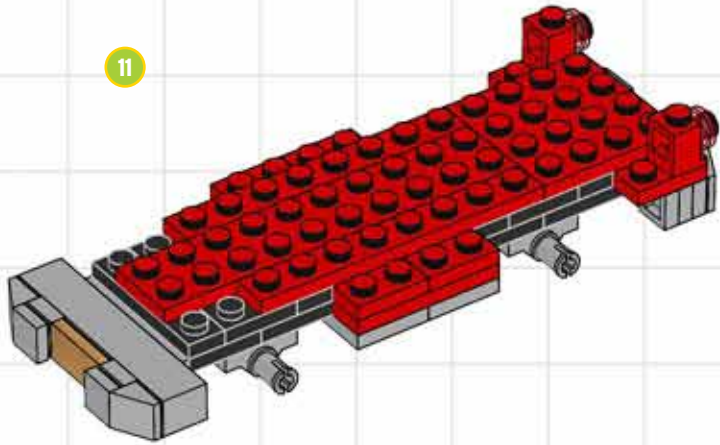


10

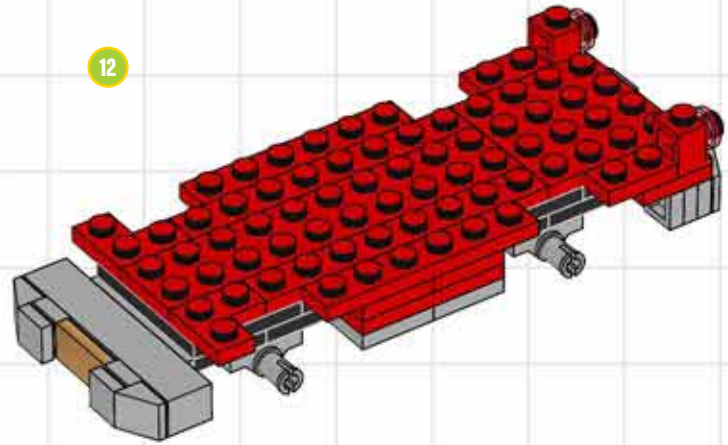


CONVERTIBLE BUILDING STEPS!

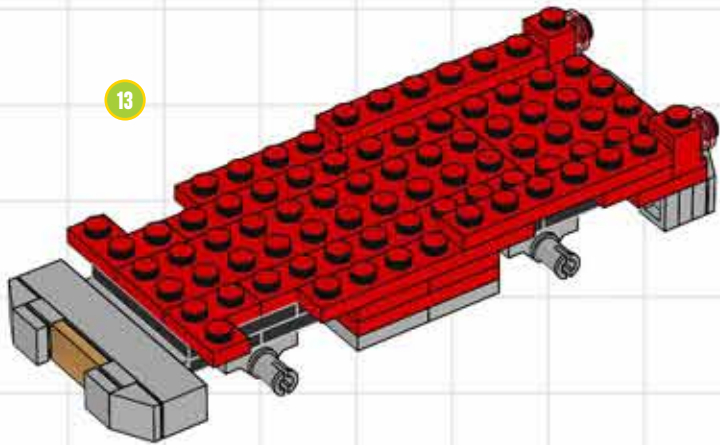
11



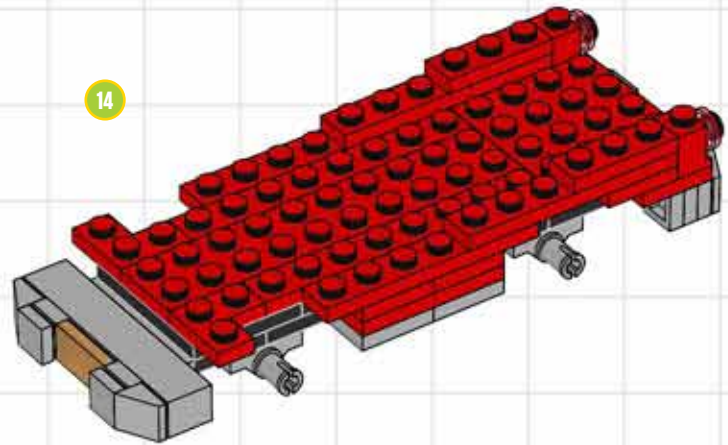
12



13

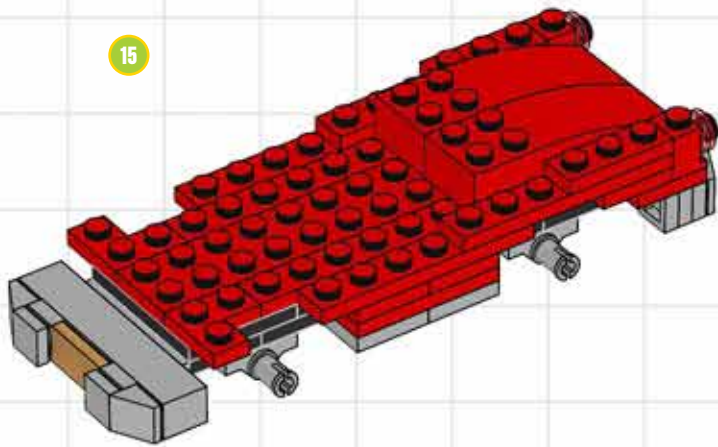


14

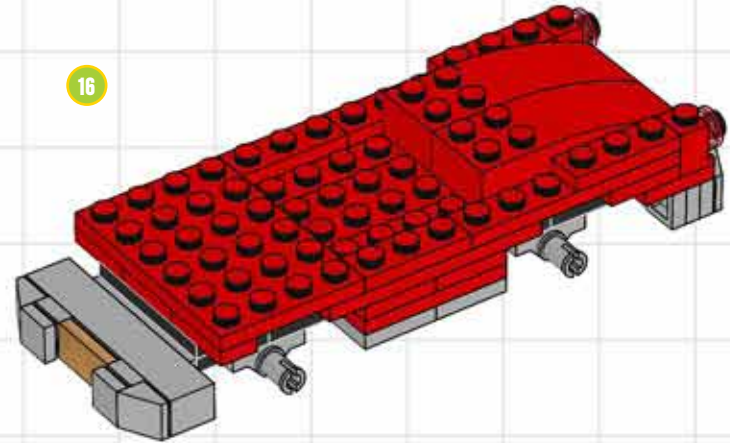


CONVERTIBLE BUILDING STEPS!

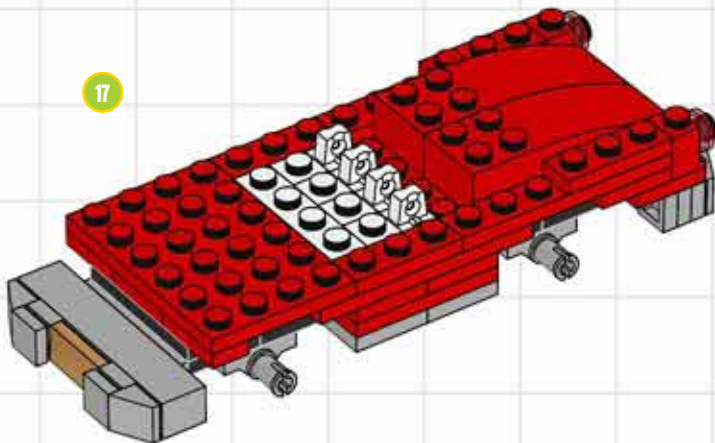
15



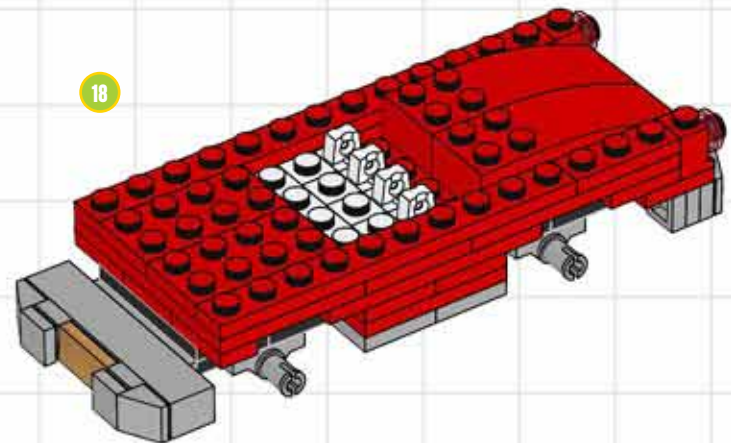
16



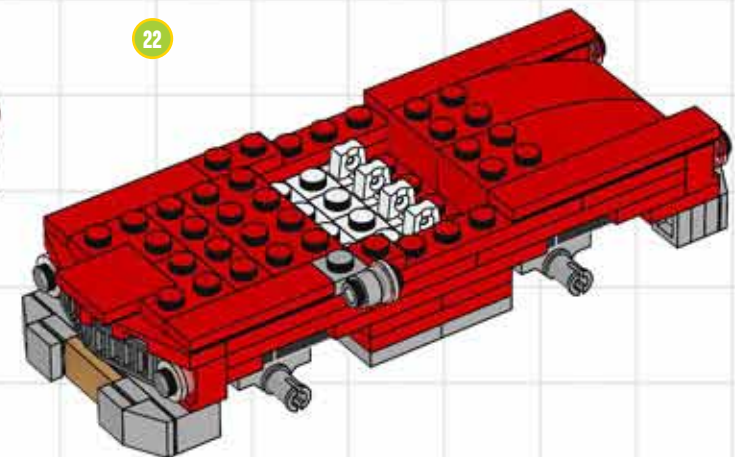
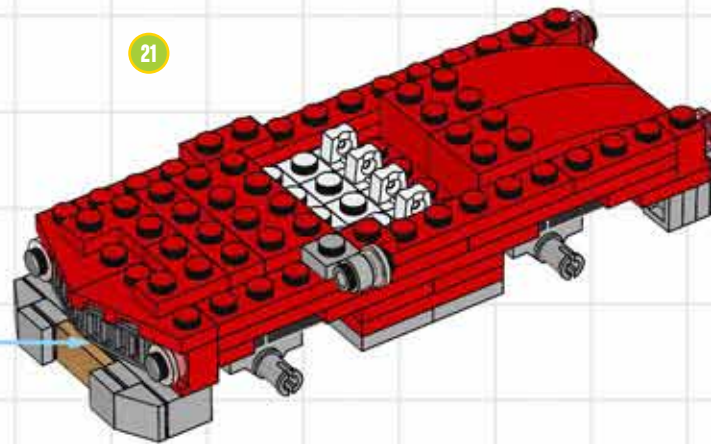
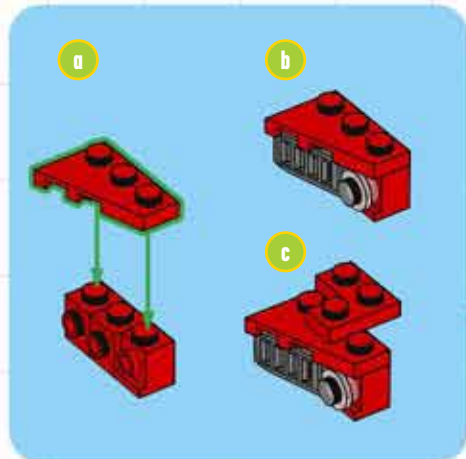
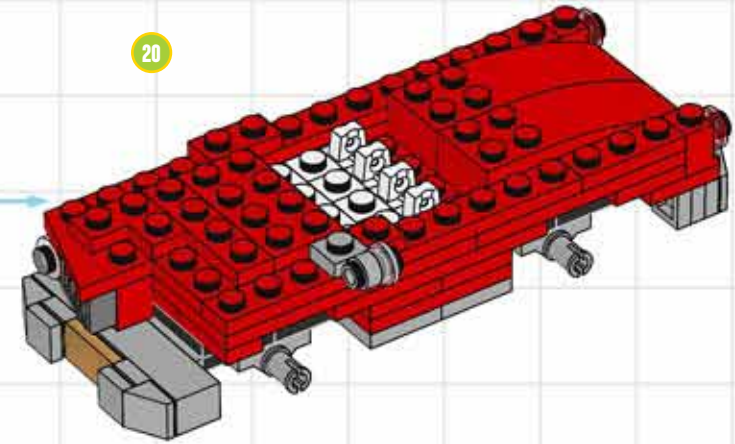
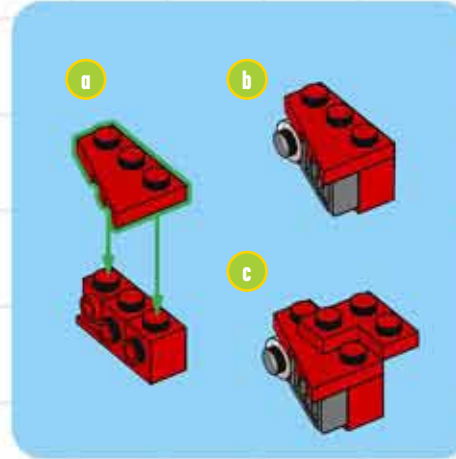
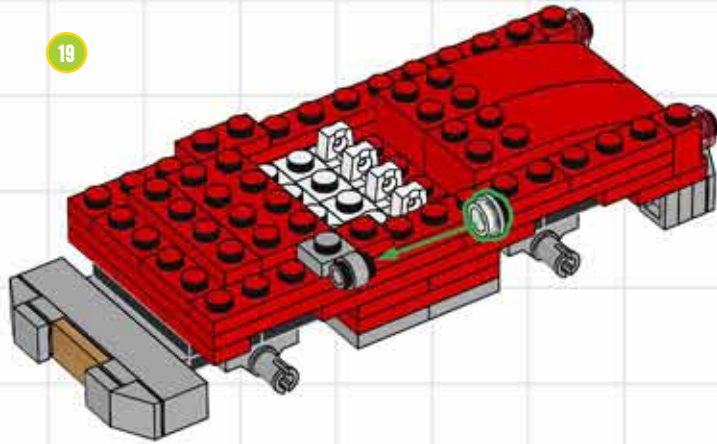
17



18

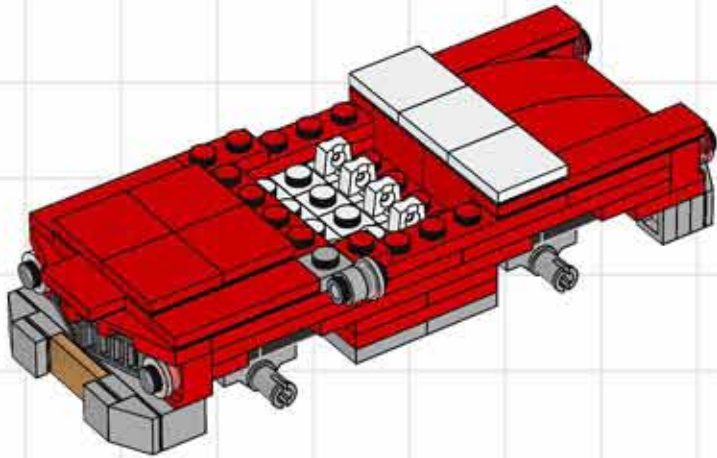


CONVERTIBLE BUILDING STEPS!

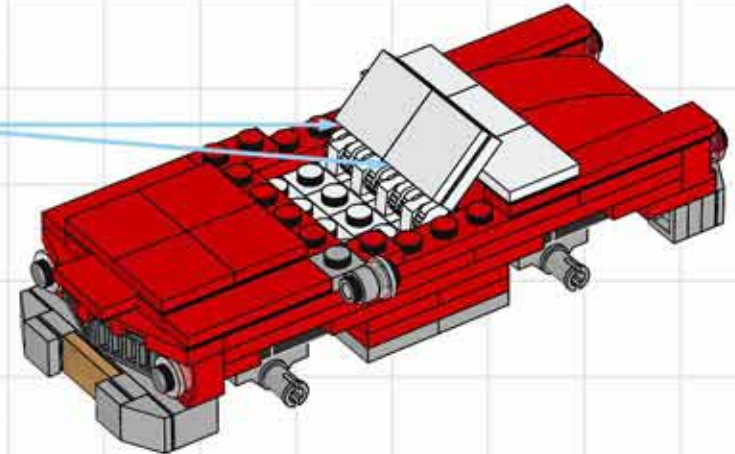
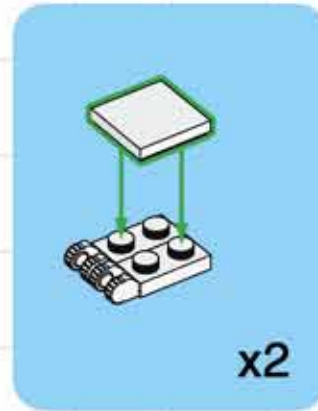


CONVERTIBLE BUILDING STEPS!

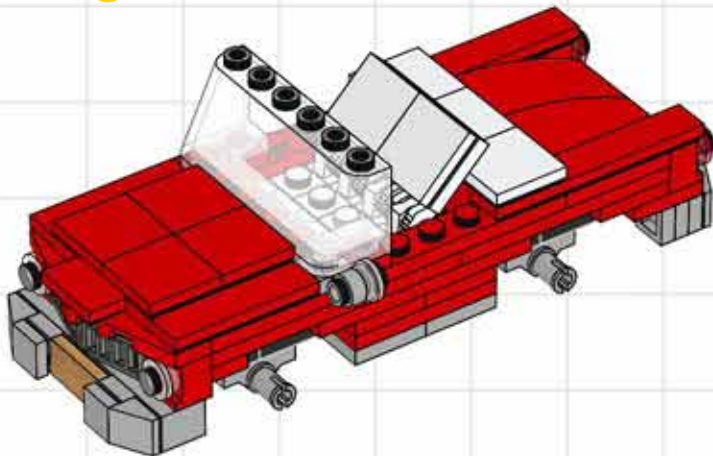
23



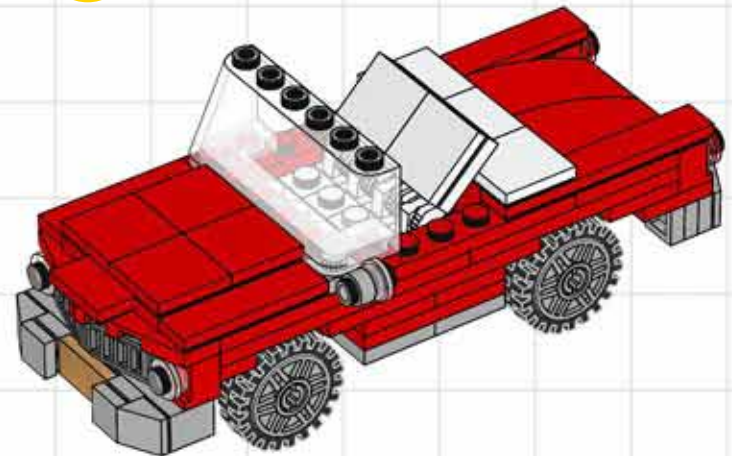
24



25



FINAL



CONVERTIBLE BUILDING STEPS!

	x2	242026		x4	366621
	x4	242021		x3	371021
	x2	243121		x4	371026
	x2	4282740		x1	371001
	x1	4211360		x2	4211452
	x1	4211393		x3	379521
	x3	302021		x1	383221
	x2	302026		x2	407021
	x1	302226		x3	4632575
	x1	4211397		x1	4502193
	x3	302321		x4	447721
	x3	4211398		x1	3005740
	x1	302421		x1	3005741
	x6	4211399		x2	4113858
	x1	4243814		x3	4211572
	x1	303221		x2	4262011
	x2	303426		x2	4180504
	x5	306801		x4	4180533
	x5	306821		x1	4180544
	x2	4528605		x1	4183048
	x4	4211415		x2	4521921
	x2	346021		x4	4499259
	x4	362321		x4	4541455
	x2	362326		x2	4540386
	x2	4211438		x4	4558886

