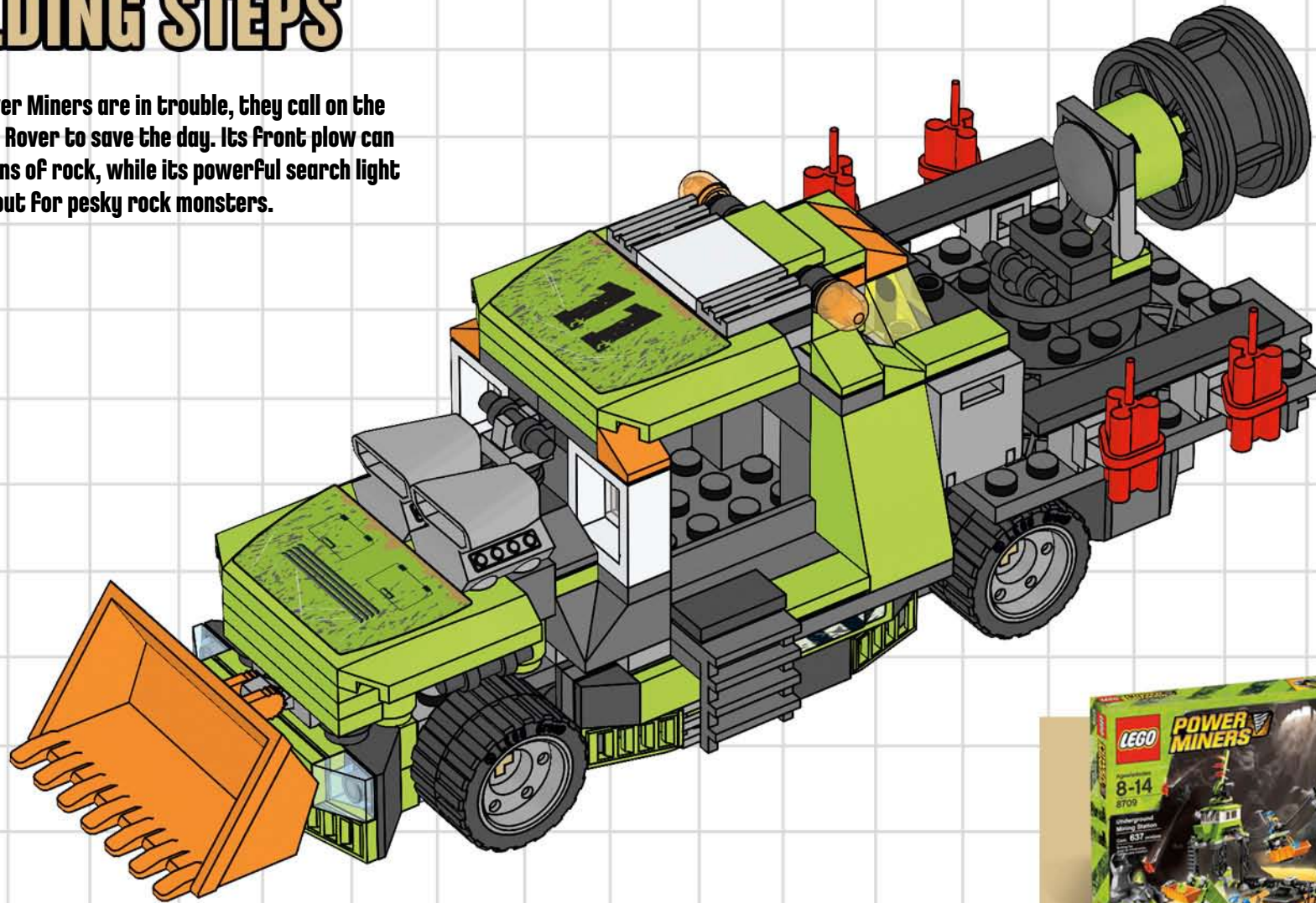


RUBBLE RESCUE ROVER!

BUILDING STEPS



When the Power Miners are in trouble, they call on the Rubble Rescue Rover to save the day. Its front plow can clear away tons of rock, while its powerful search light keeps an eye out for pesky rock monsters.

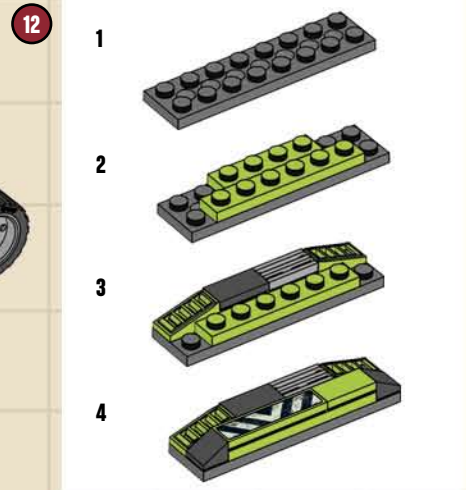
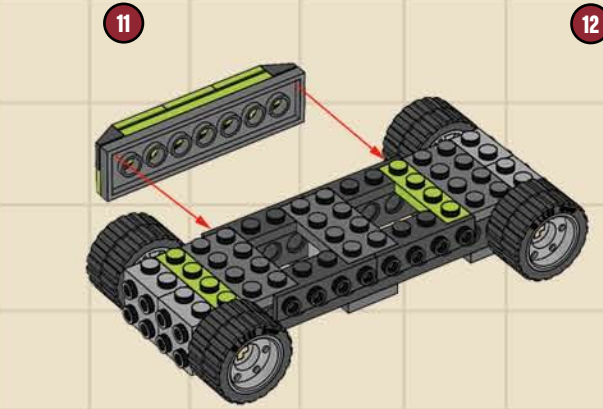
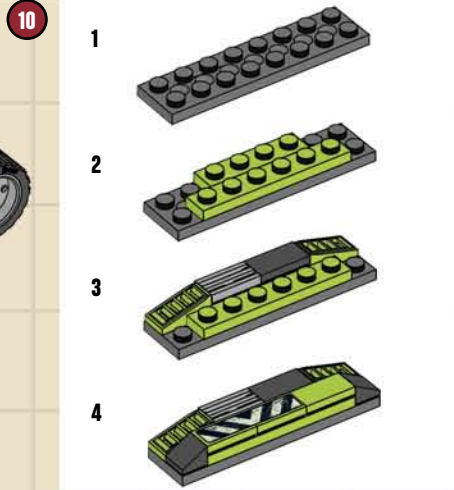
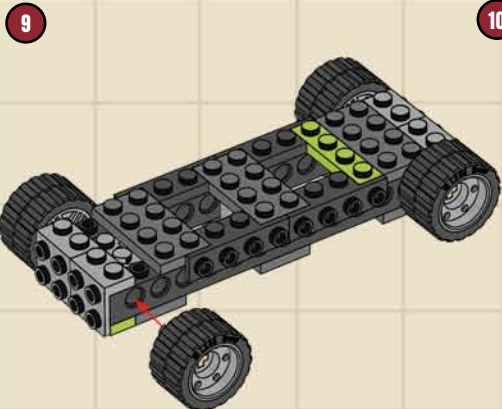
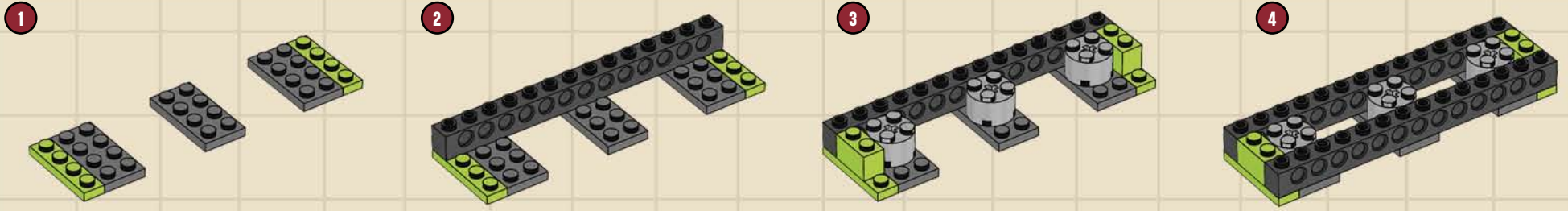


You can build the Rubble Rescue Rover using pieces from #8709 Underground Mining Station.



RUBBLE RESCUE ROVER!

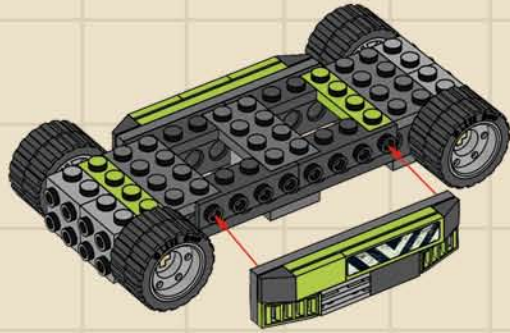
BUILDING STEPS



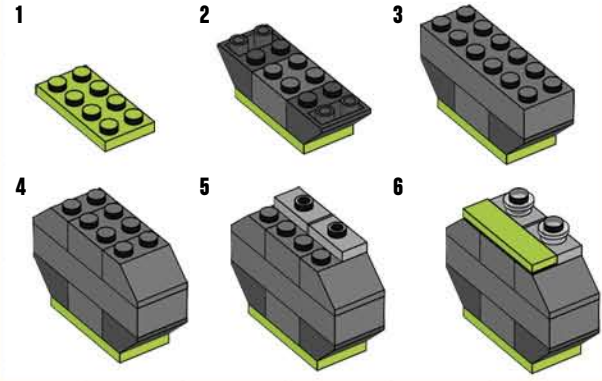
RUBBLE RESCUE ROVER!

BUILDING STEPS

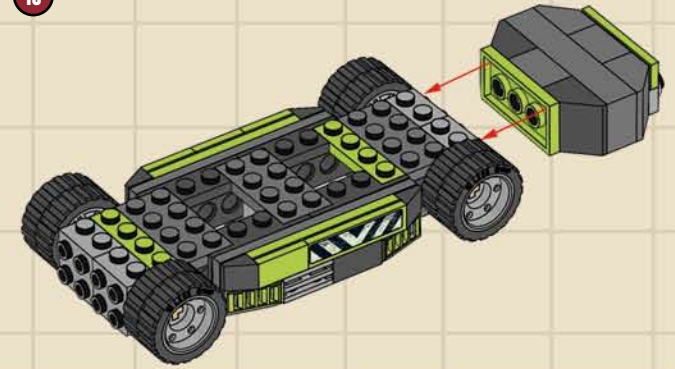
13



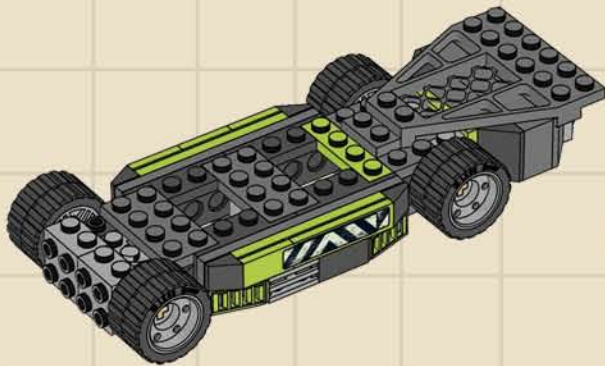
14



15



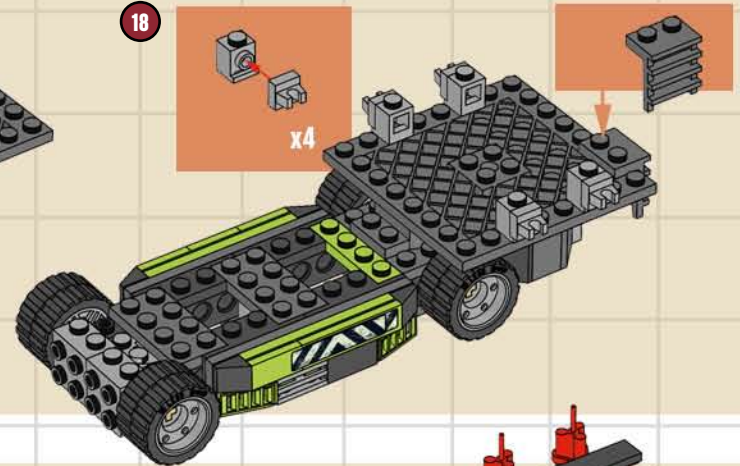
16



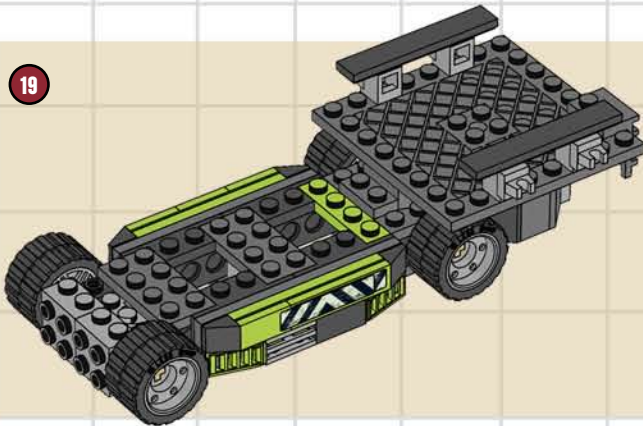
17



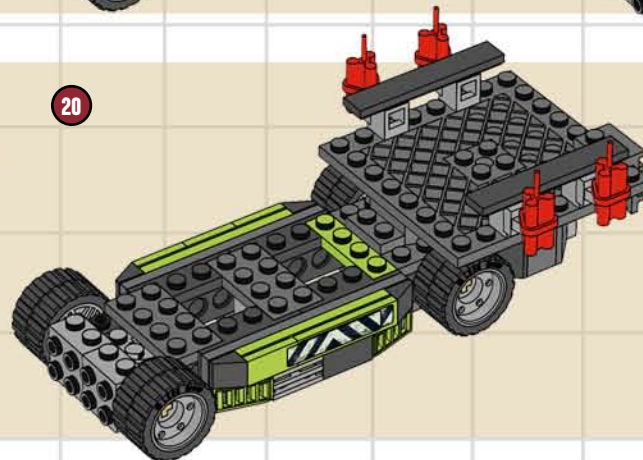
18



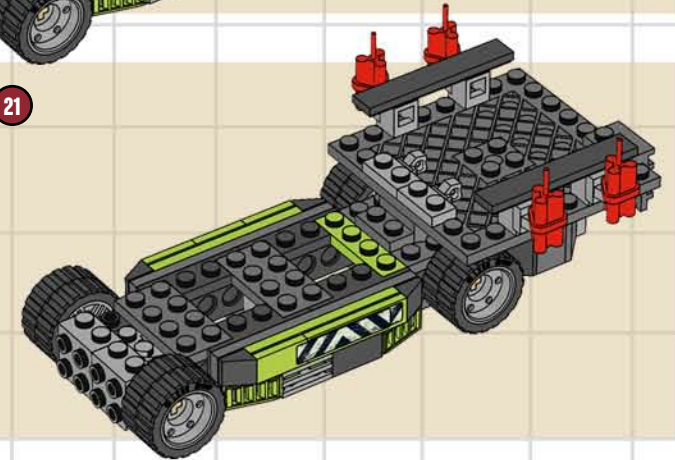
19



20



21

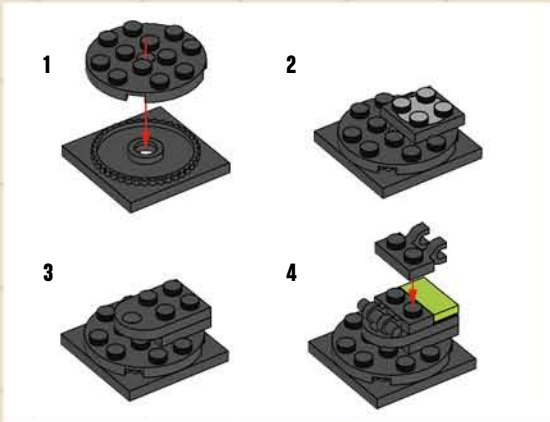


RUBBLE RESCUE ROVER!

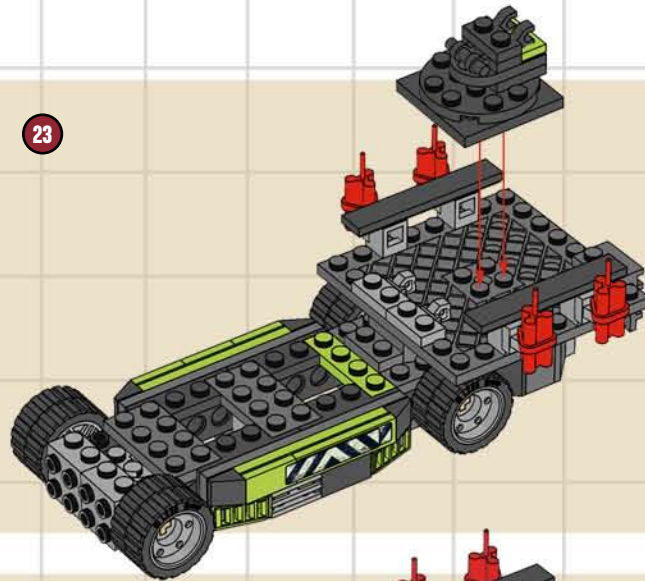
BUILDING STEPS



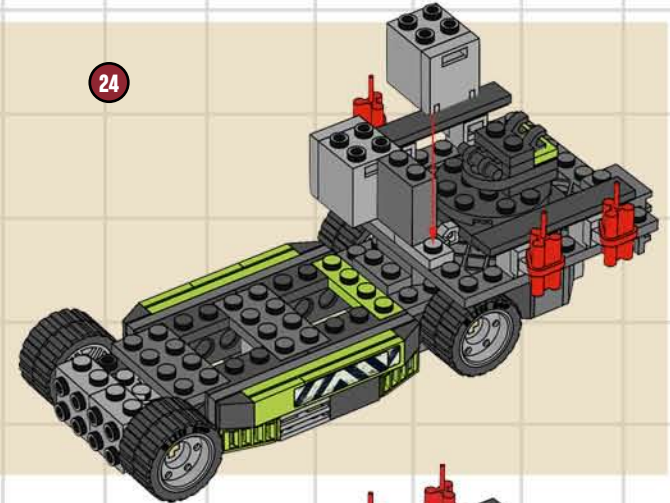
22



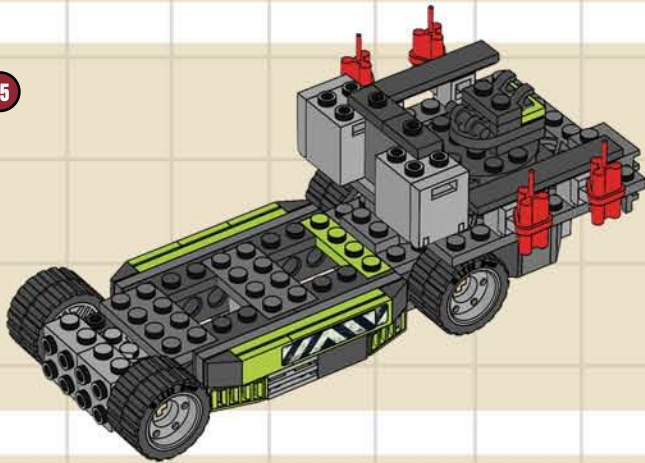
23



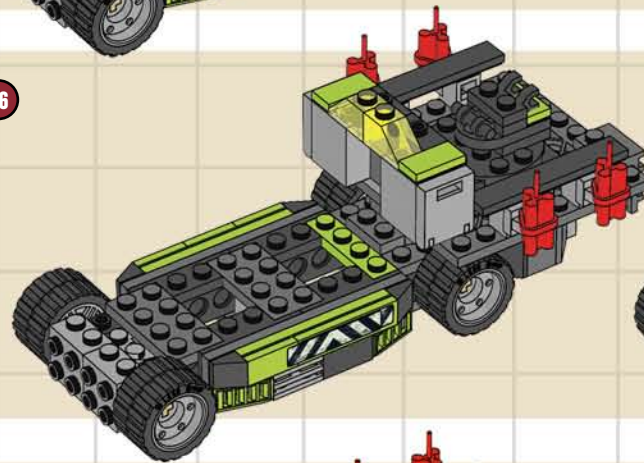
24



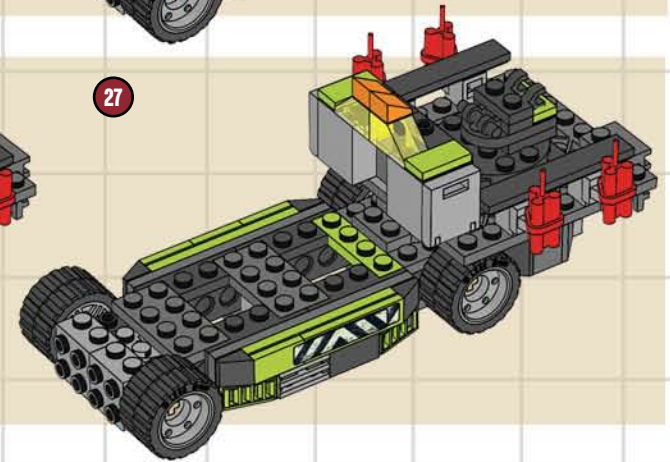
25



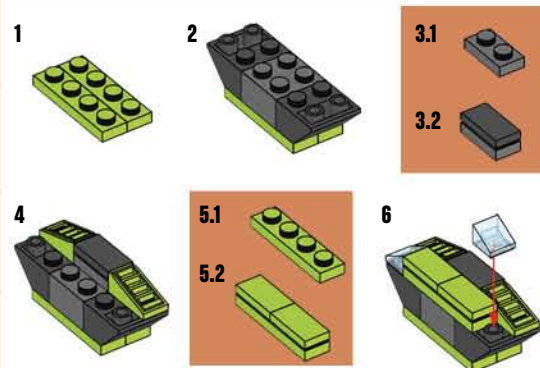
26



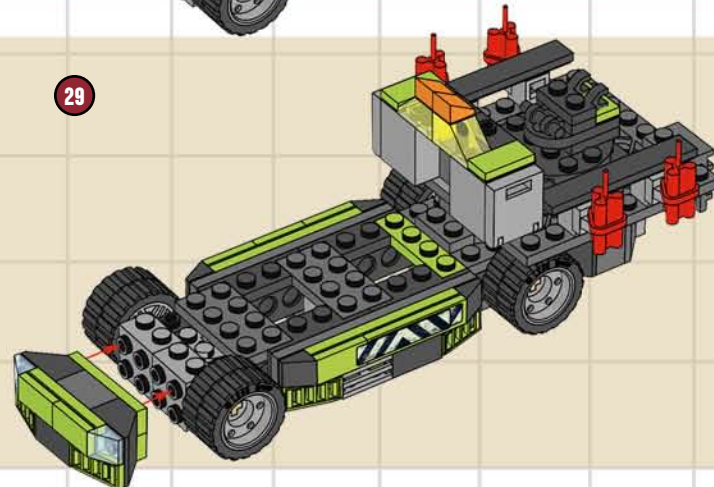
27



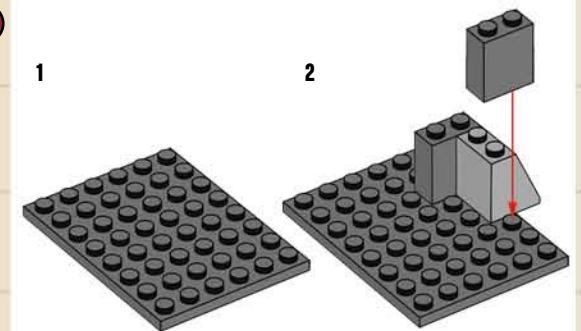
28



29



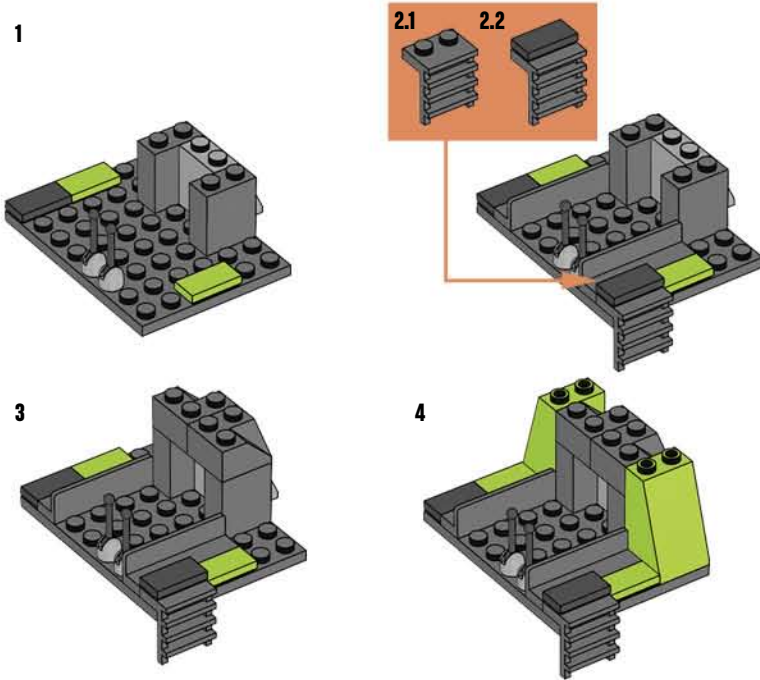
30



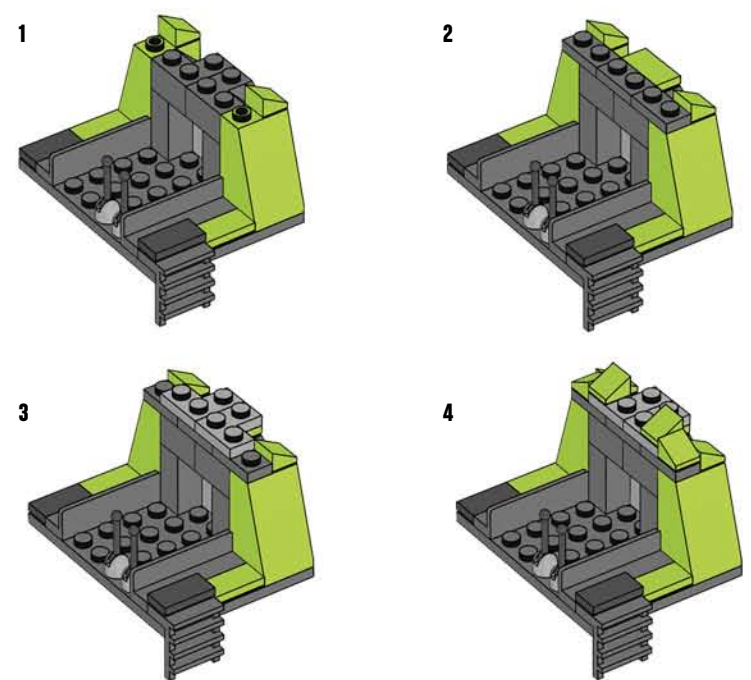
RUBBLE RESCUE ROVER!

BUILDING STEPS

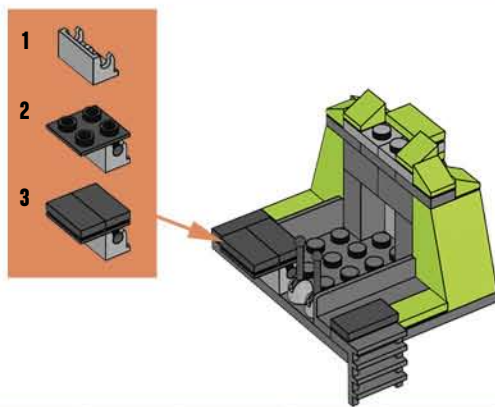
31



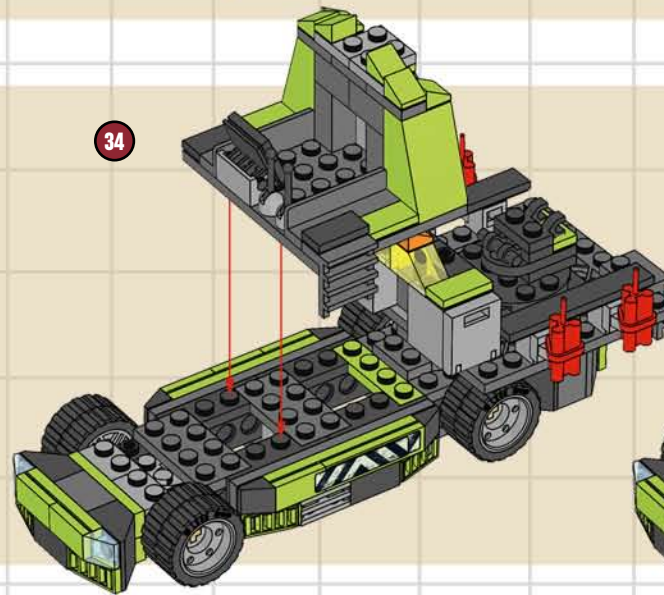
32



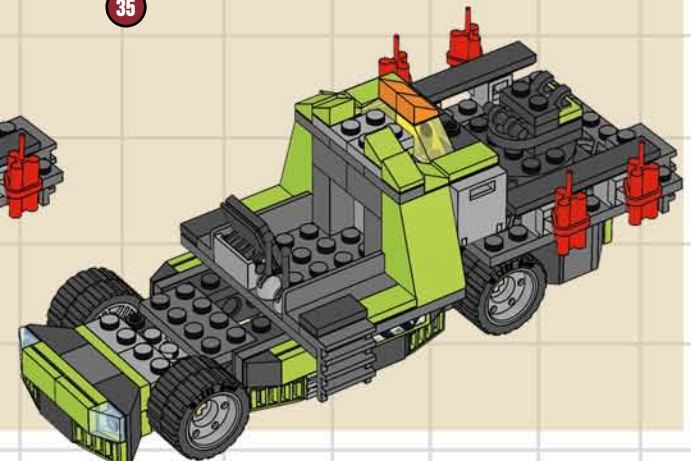
33



34



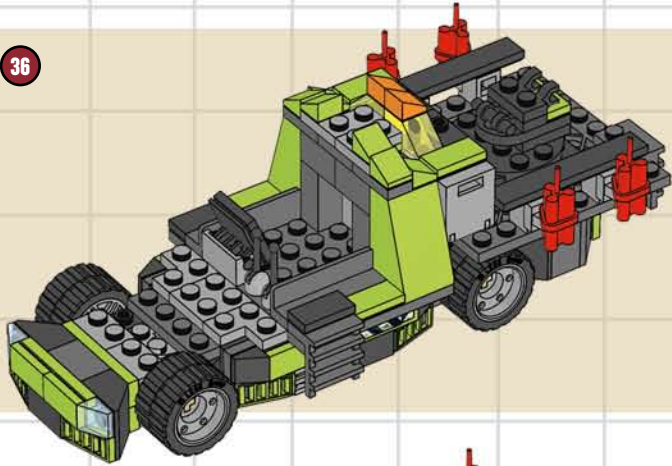
35



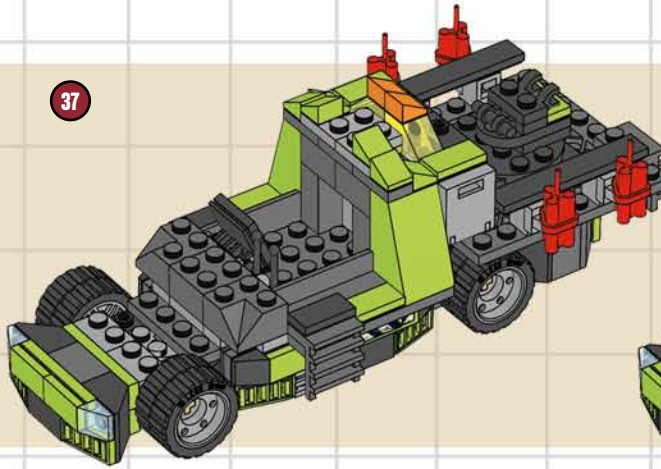
RUBBLE RESCUE ROVER!

BUILDING STEPS

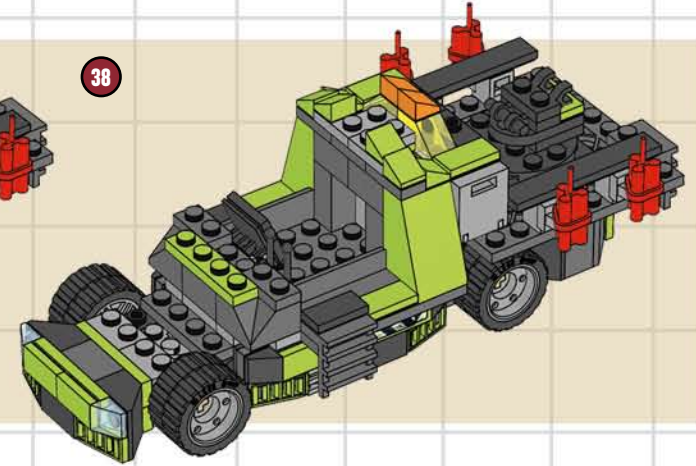
36



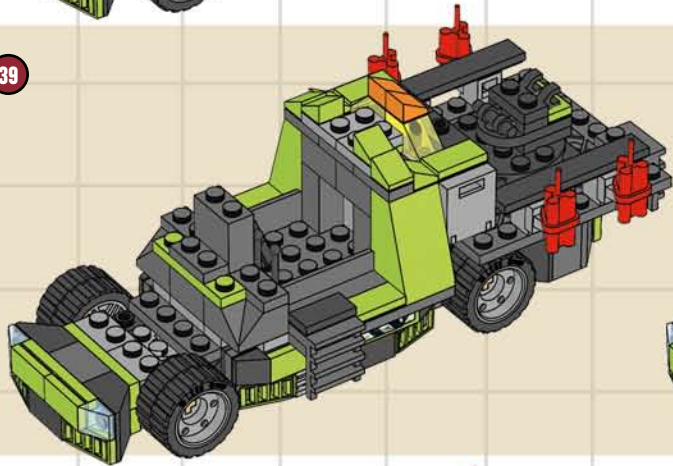
37



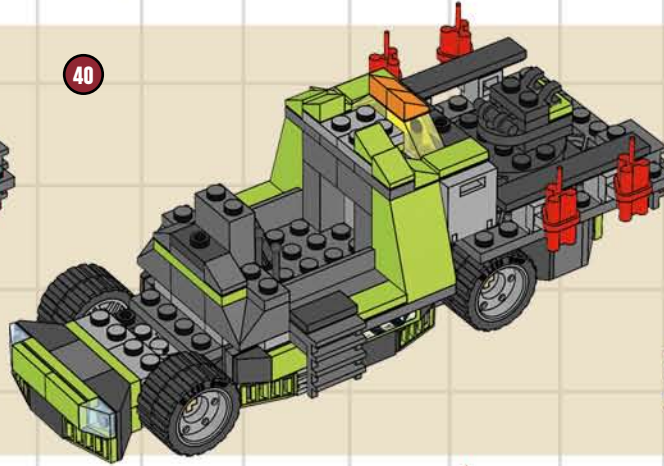
38



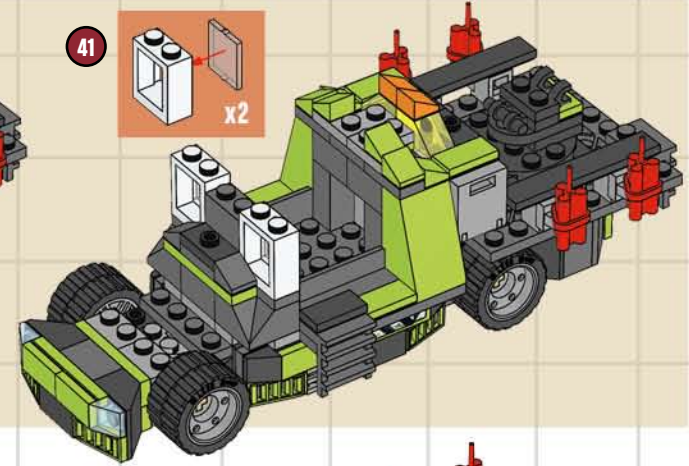
39



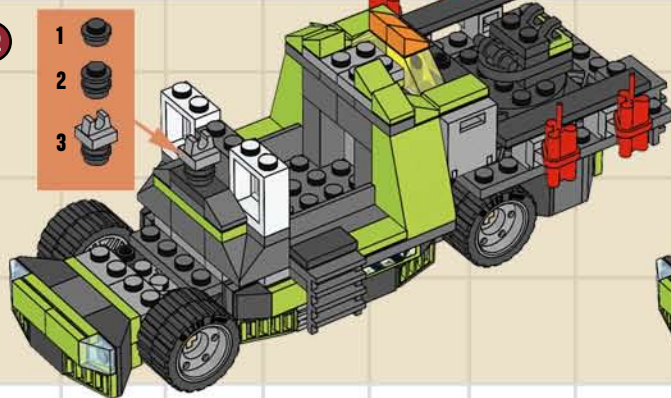
40



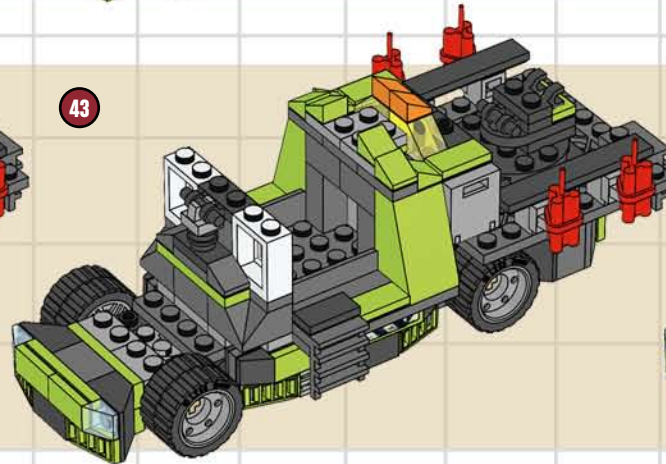
41



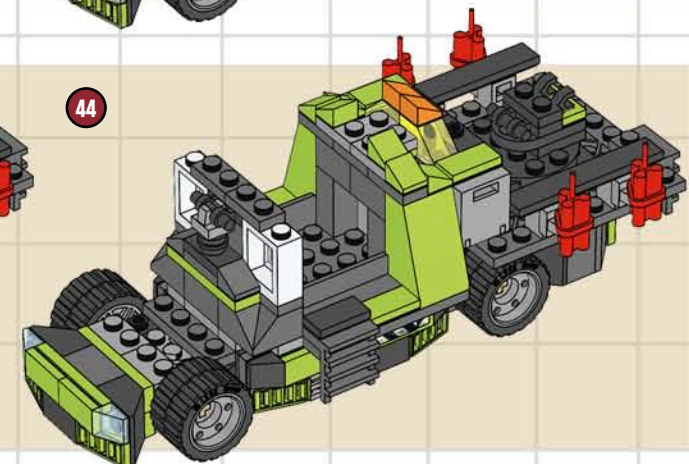
42



43



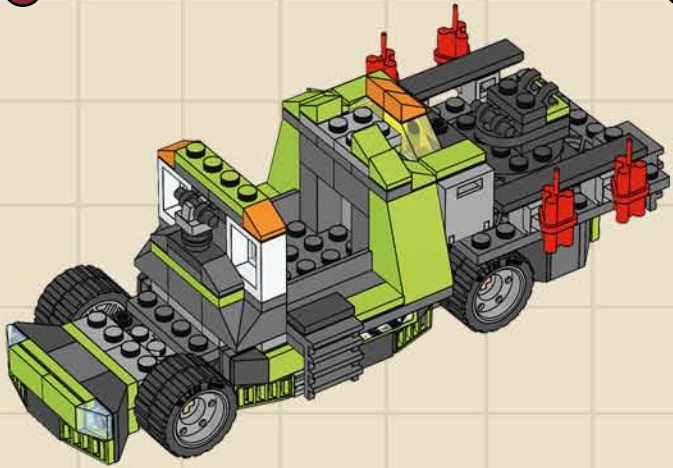
44



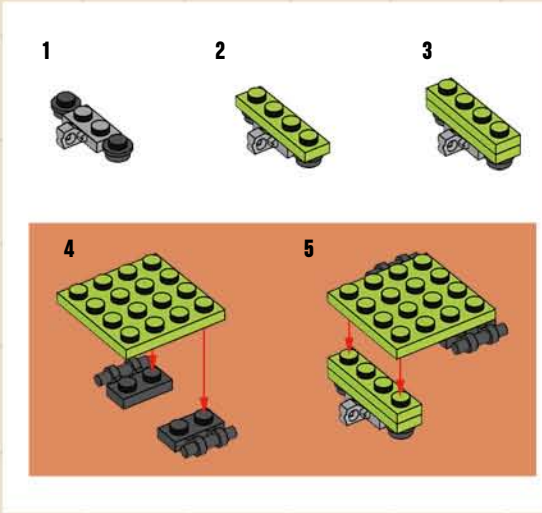
RUBBLE RESCUE ROVER!

BUILDING STEPS

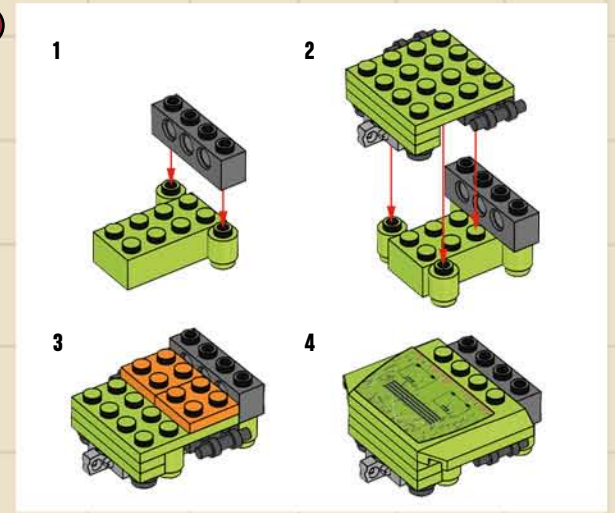
45



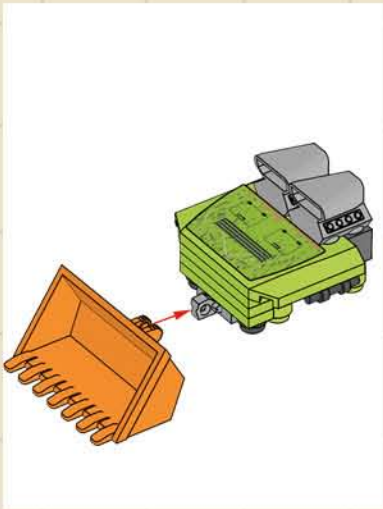
46



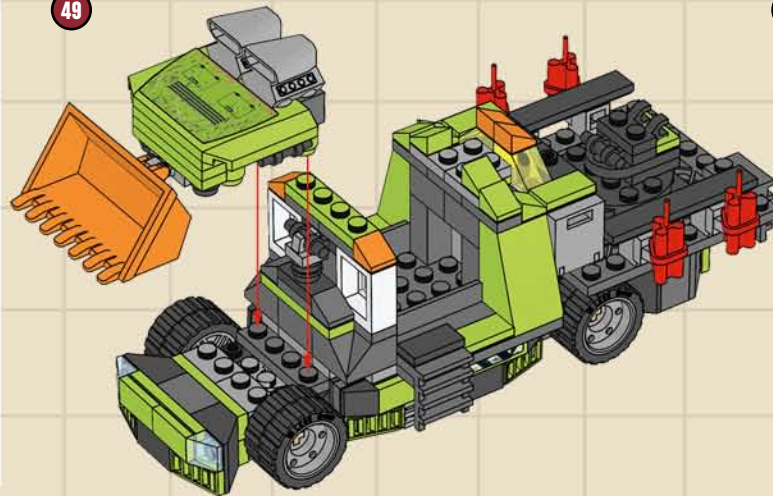
47



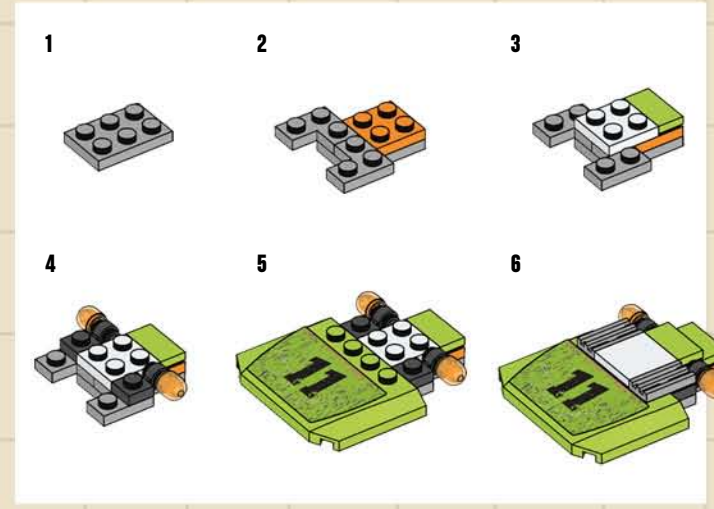
48



49



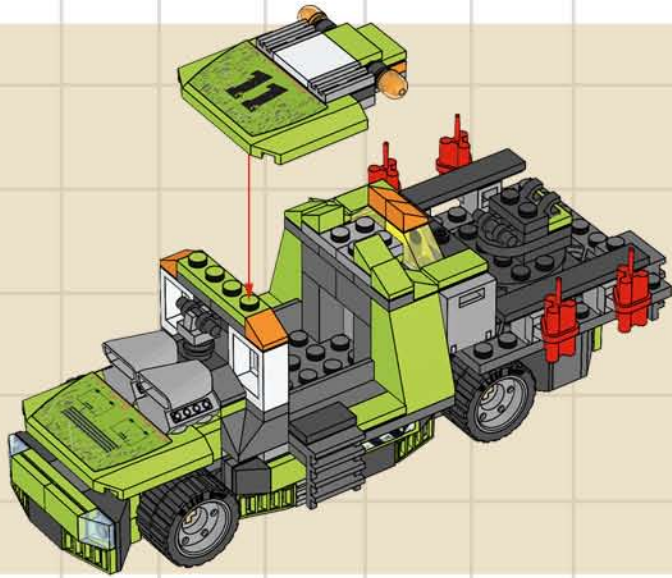
50



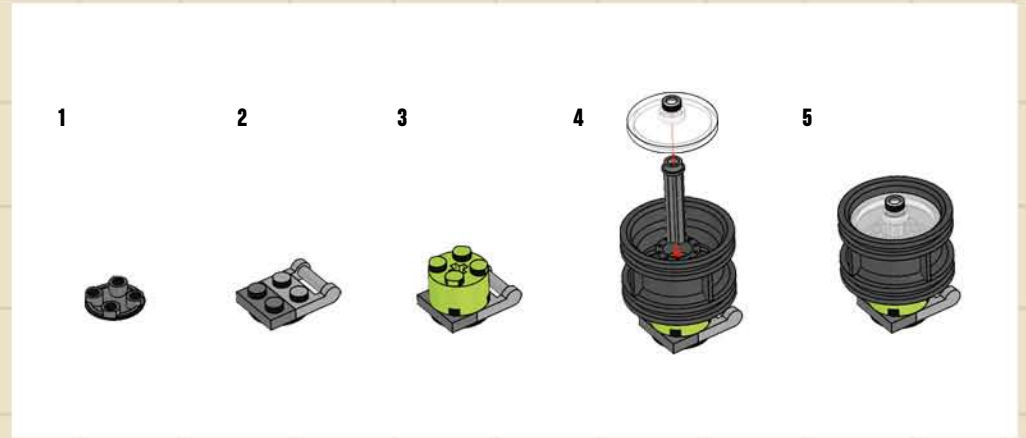
RUBBLE RESCUE ROVER!

BUILDING STEPS

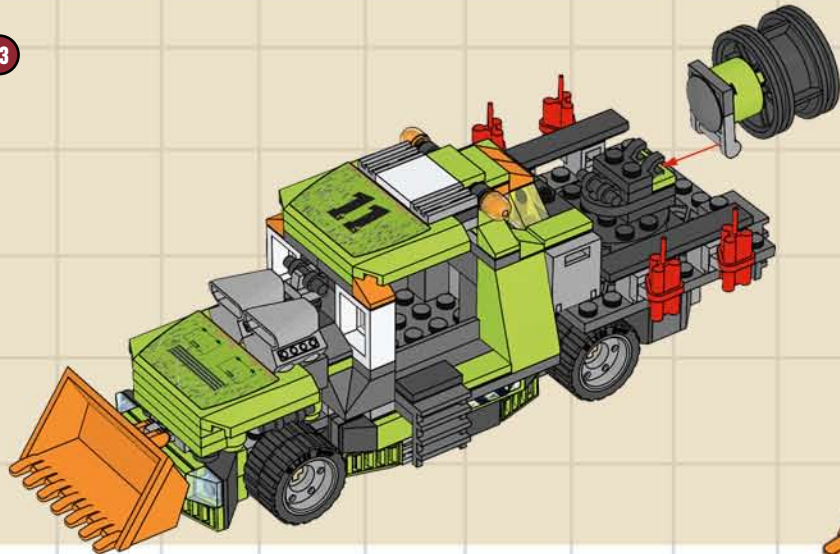
51



52



53



Final

