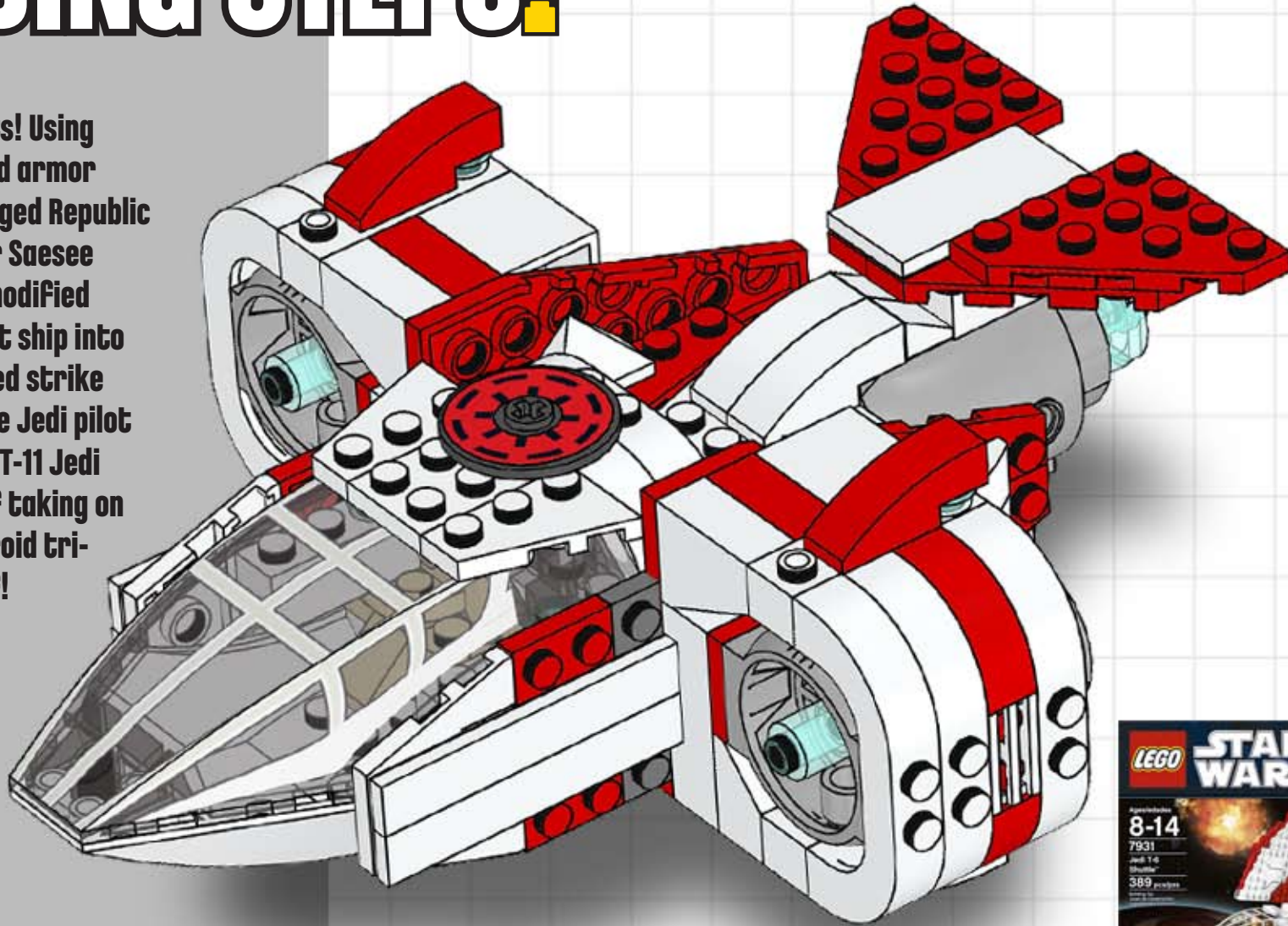


# T-11 JEDI STRIKER BUILDING STEPS!



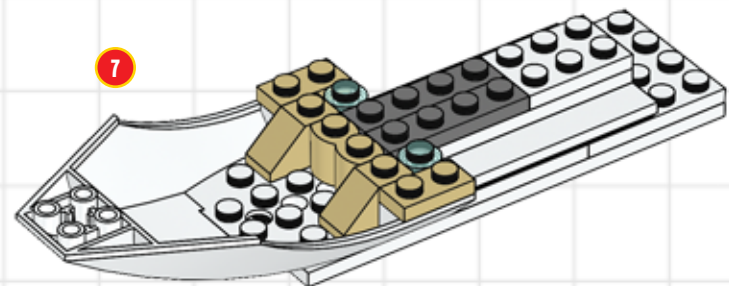
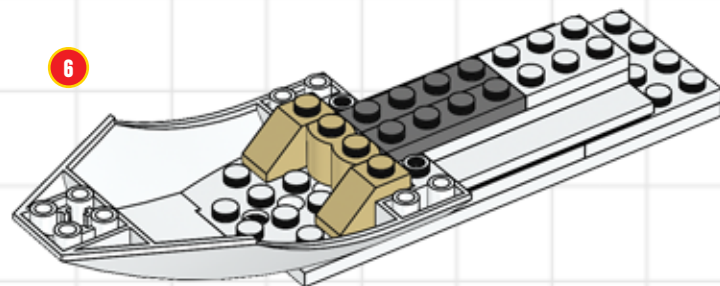
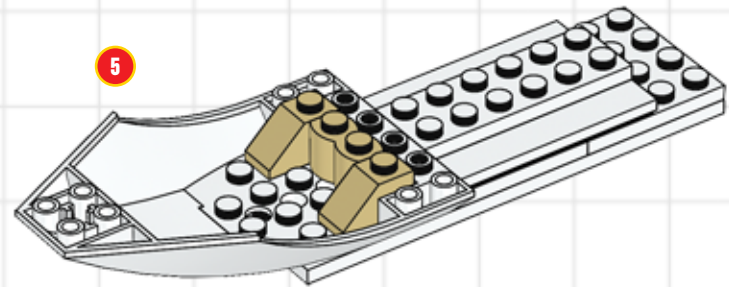
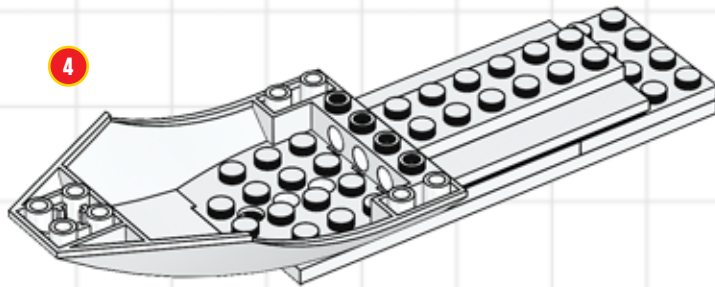
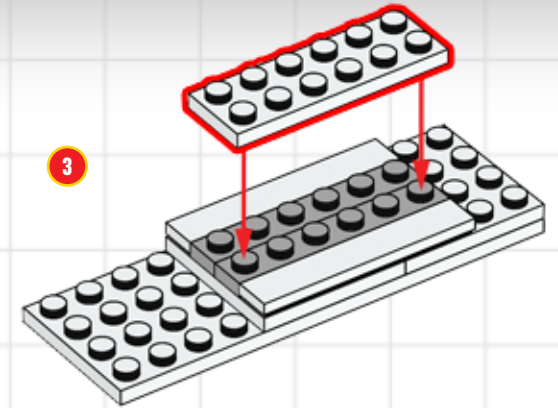
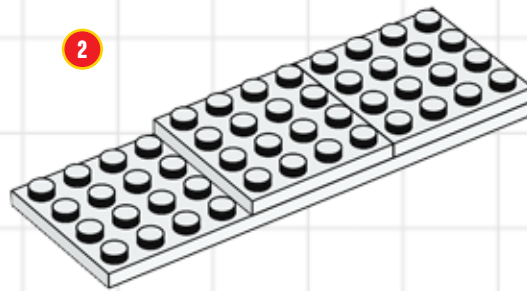
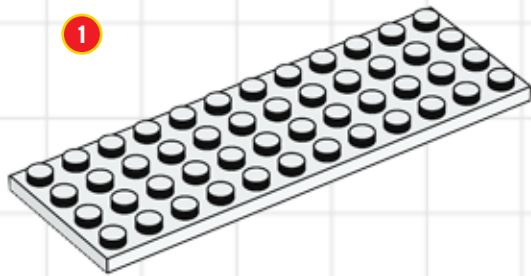
Look out, Separatists! Using hyperdrive parts and armor plating from a damaged Republic shuttle, Jedi Master Saesee Tiin has personally modified this high-speed scout ship into a powerfully armored strike fighter. With the ace Jedi pilot at the controls, the T-11 Jedi Striker is capable of taking on entire swarms of droid tri-fighters all by itself!



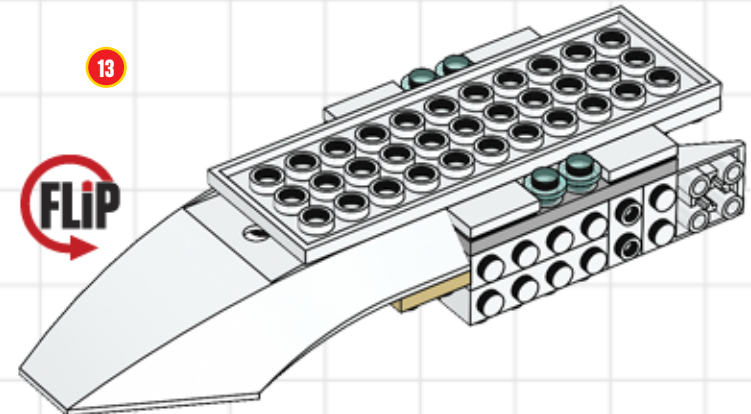
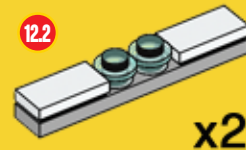
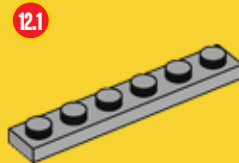
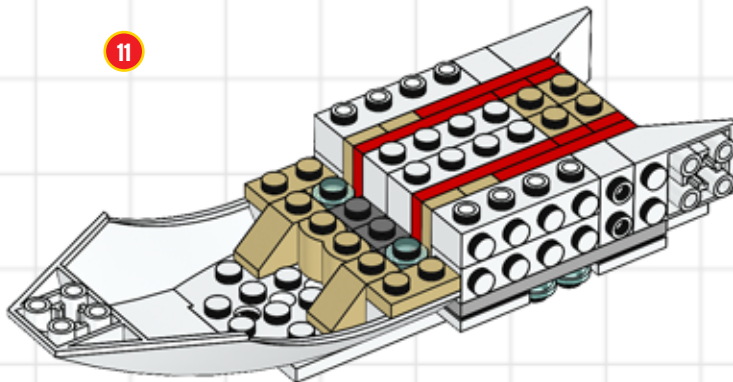
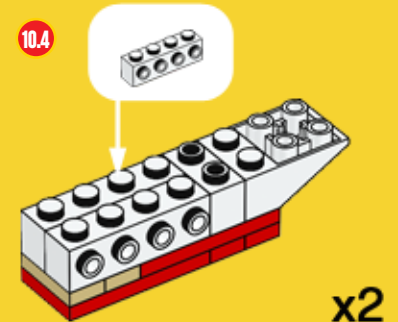
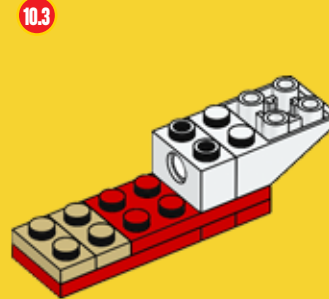
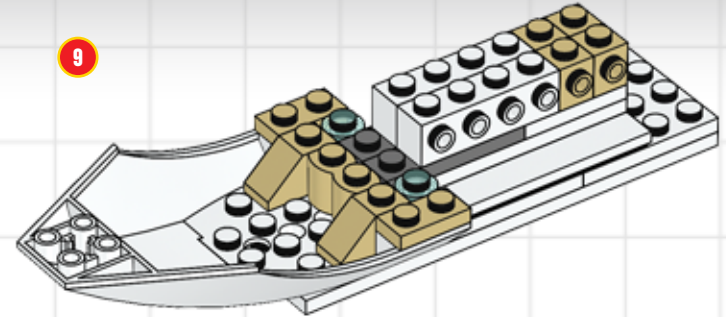
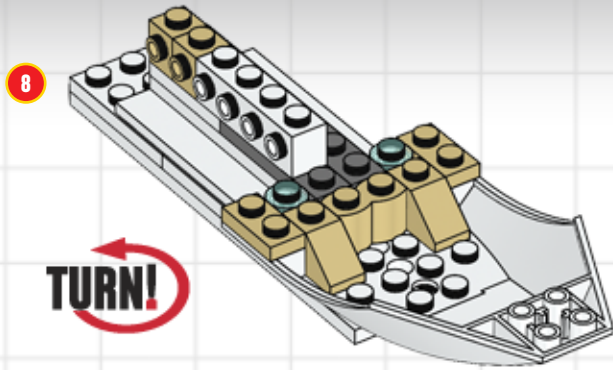
You can build the T-11 Jedi Striker using pieces from 7931 T-6 Jedi Shuttle.



# T-11 JEDI STRIKER BUILDING STEPS!

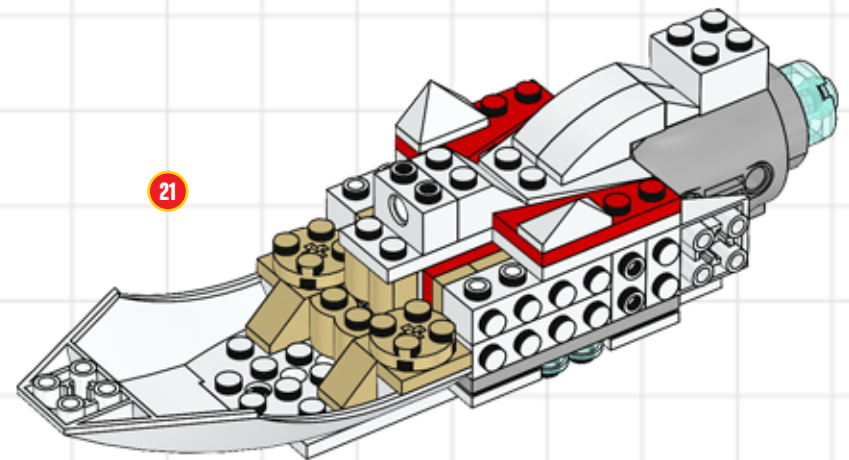
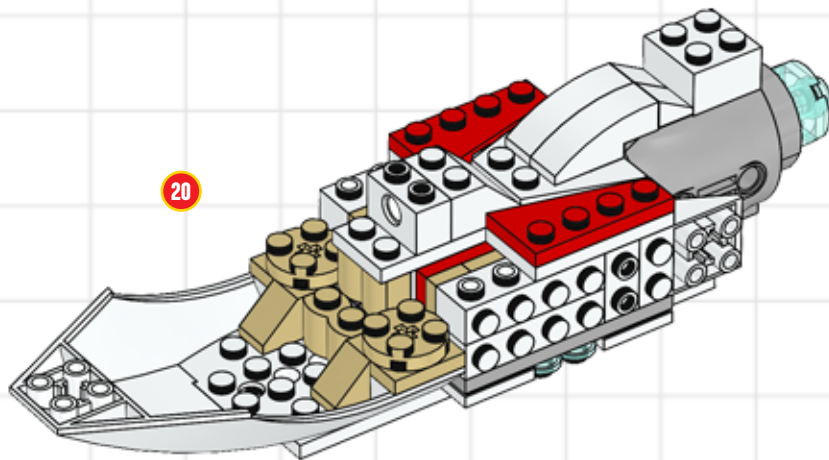
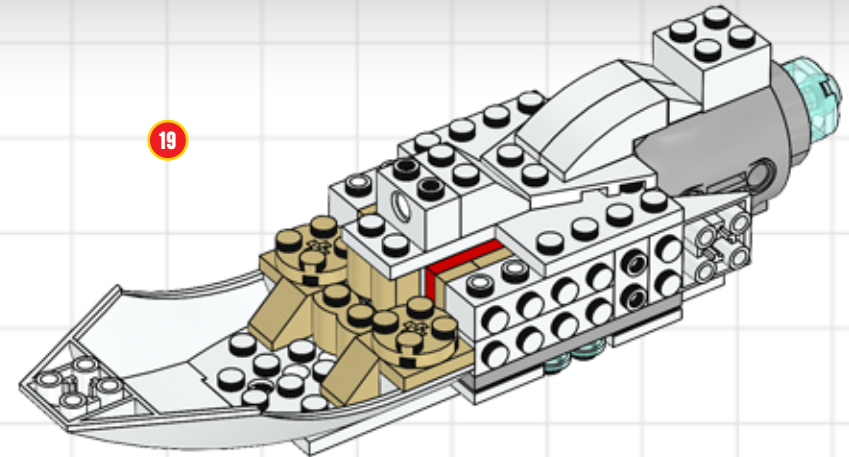
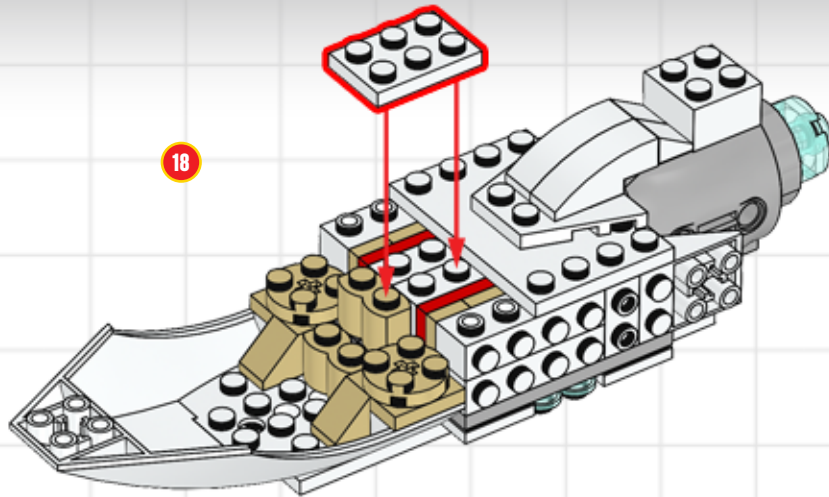


# T-11 JEDI STRIKER BUILDING STEPS!

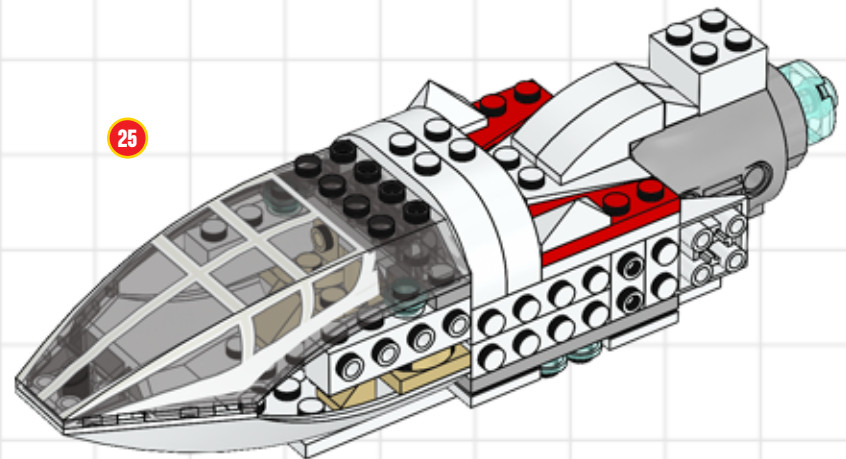
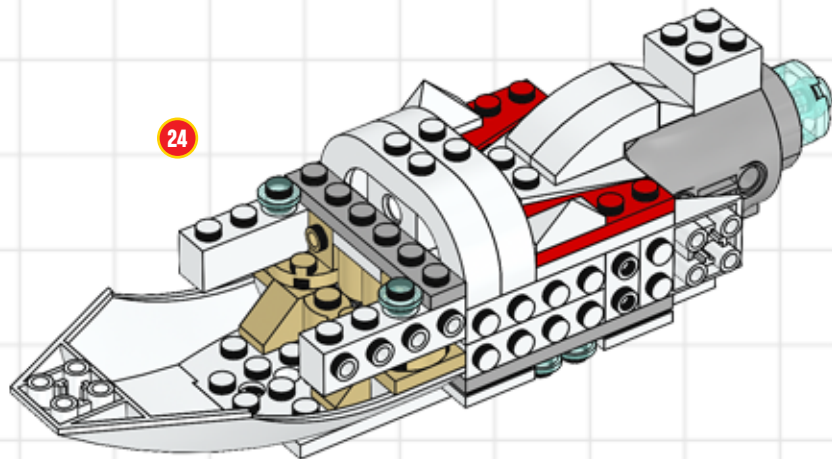
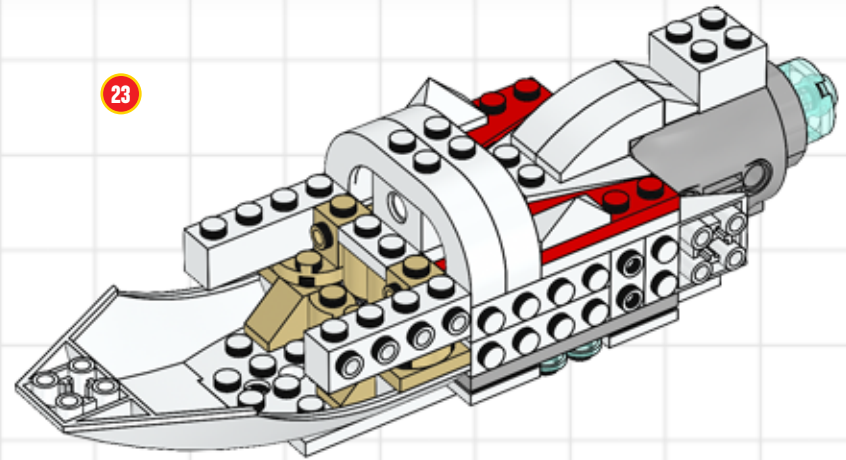
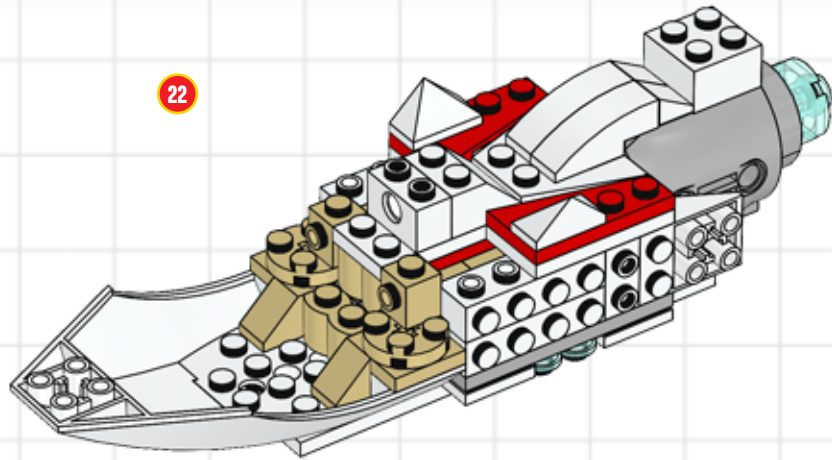




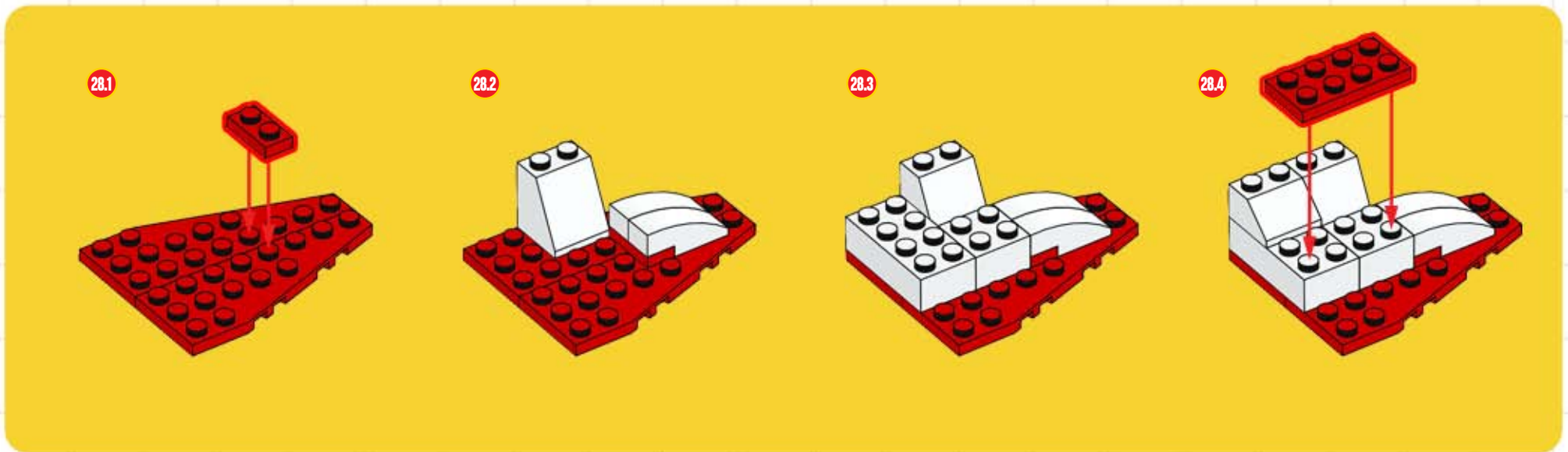
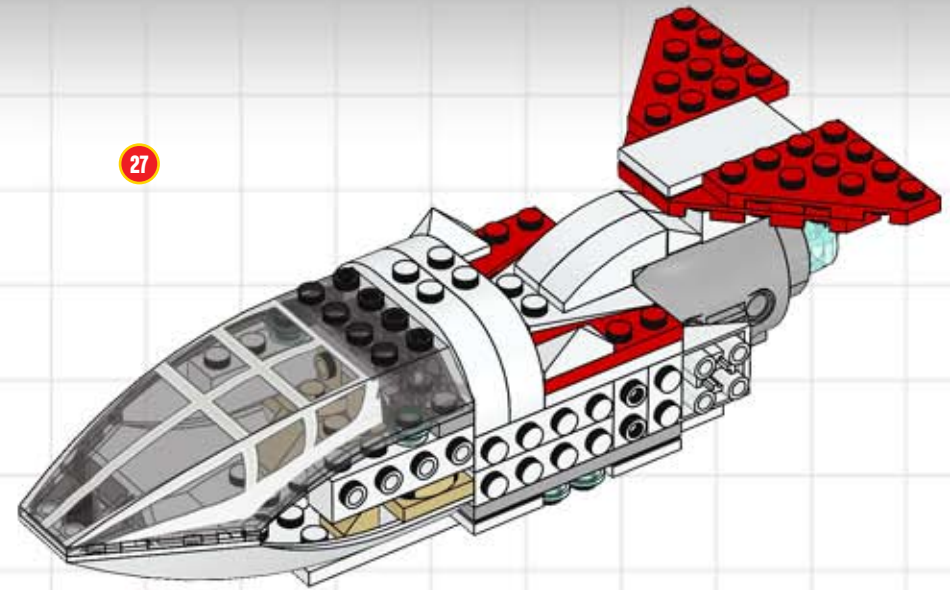
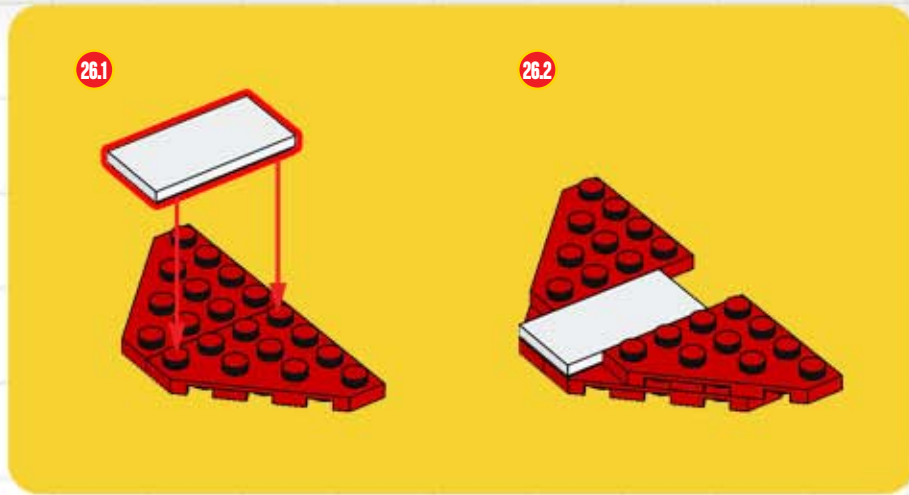
# T-11 JEDI STRIKER BUILDING STEPS!



# T-11 JEDI STRIKER BUILDING STEPS!

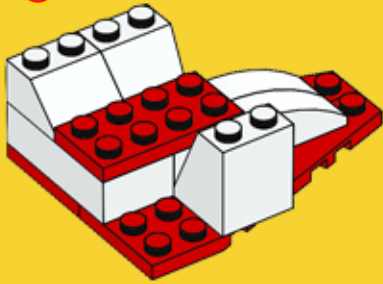


# T-11 JEDI STRIKER BUILDING STEPS!

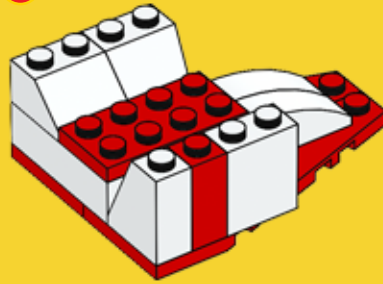


# T-11 JEDI STRIKER BUILDING STEPS!

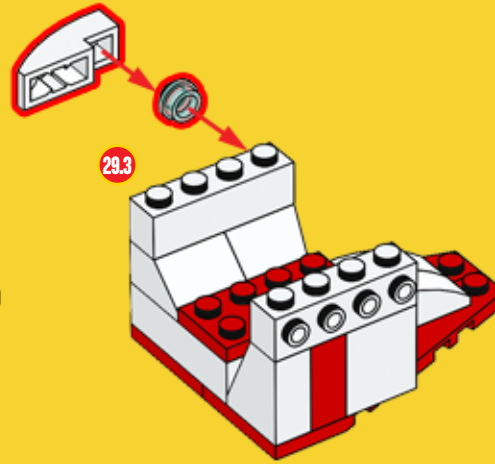
29.1



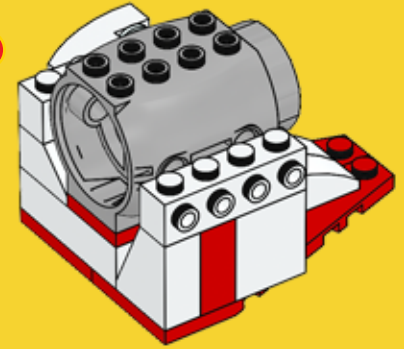
29.2



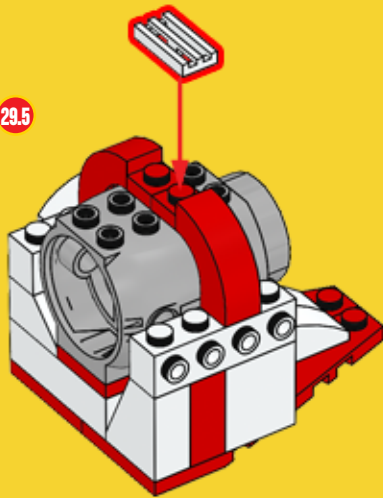
29.3



29.4



29.5



29.6



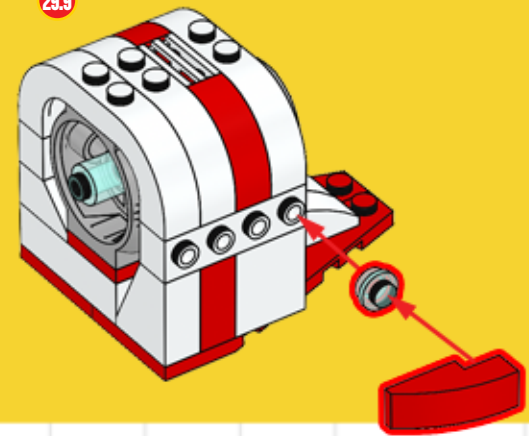
29.7



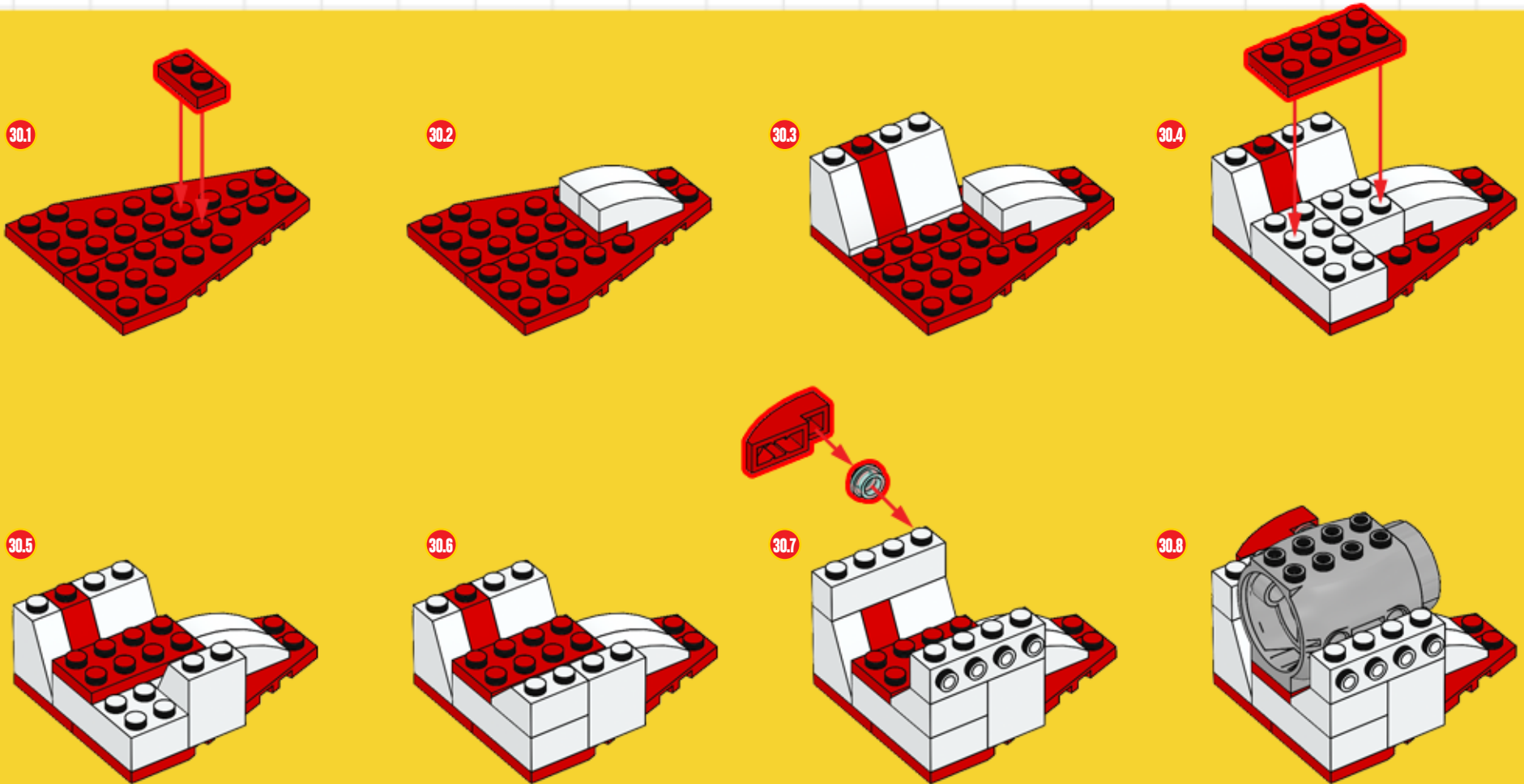
29.8



29.9

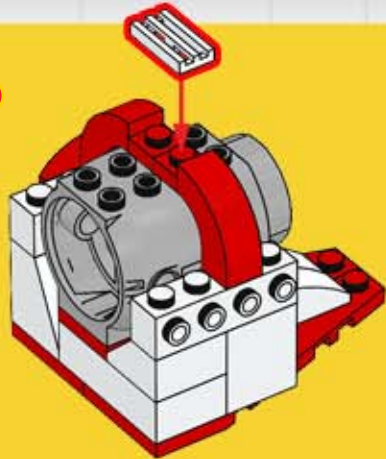


# T-11 JEDI STRIKER BUILDING STEPS!



# T-11 JEDI STRIKER BUILDING STEPS!

31.1



31.2



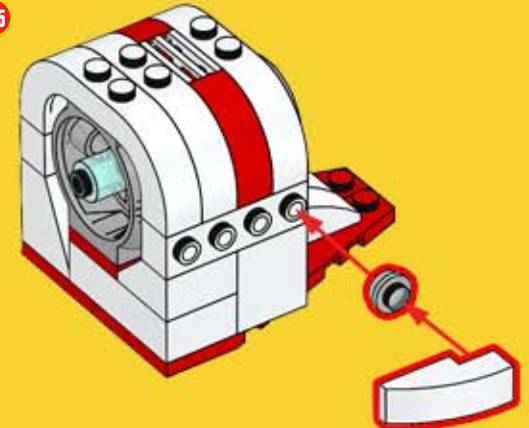
31.3



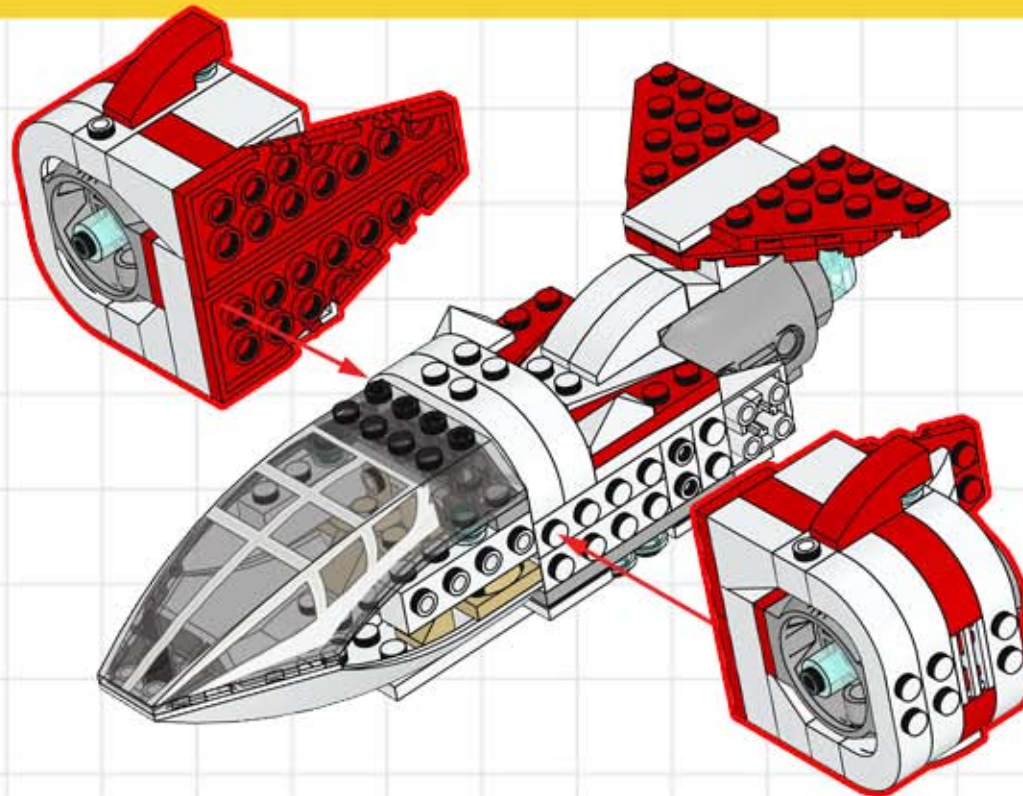
31.4



31.5



32



# T-11 JEDI STRIKER BUILDING STEPS!

