

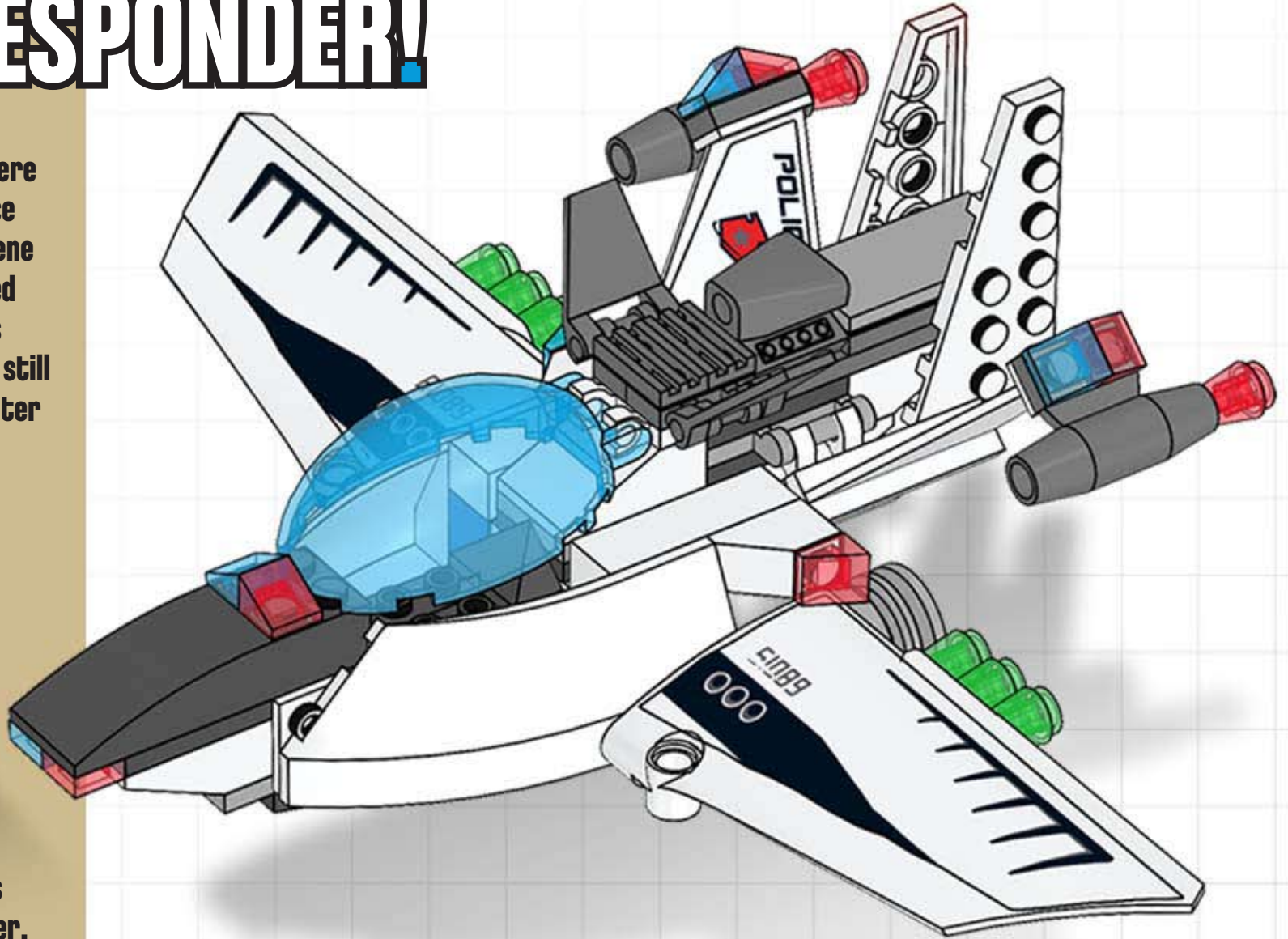
BUILD THE SPACE POLICE RAPID RESPONDER!



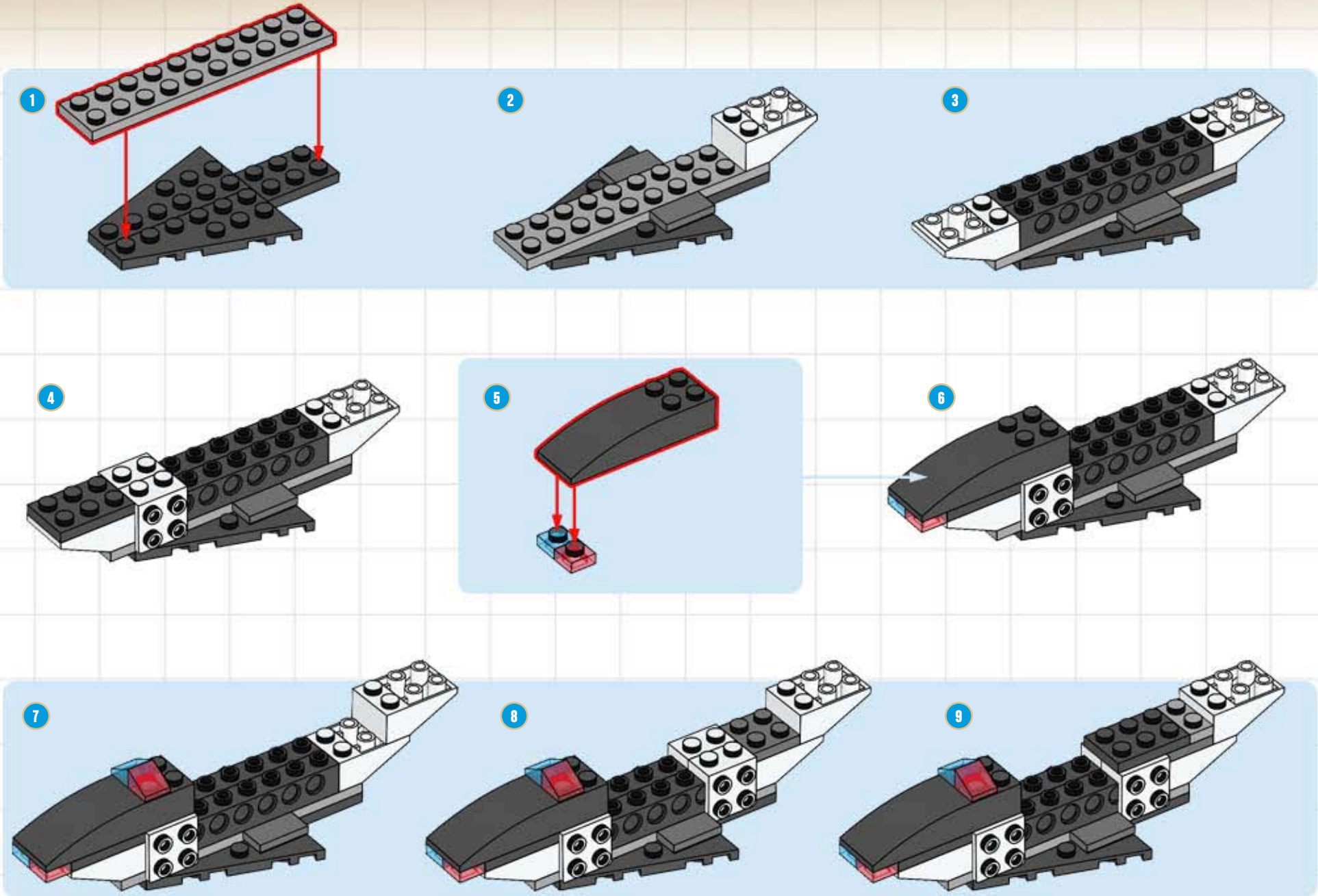
When there's trouble anywhere in the galaxy, the Space Police Rapid Responder is on the scene in a hurry. With supercharged engines and light armor, this ship is built for speed. But it still packs a powerful punch if outer space villains get in its way!



Build the Space Police Rapid Responder using pieces from 5983 Undercover Cruiser.

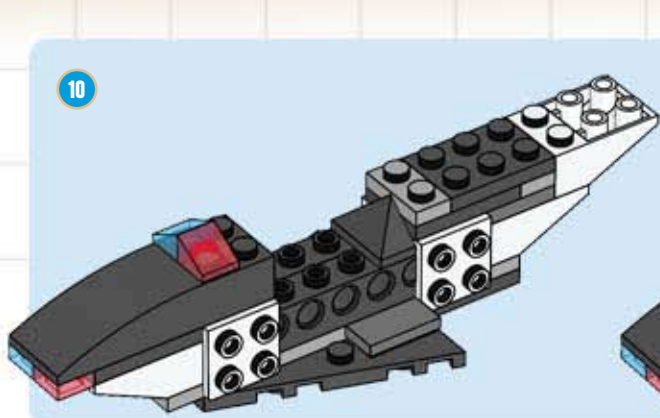


RAPID RESPONDER BUILDING STEPS!

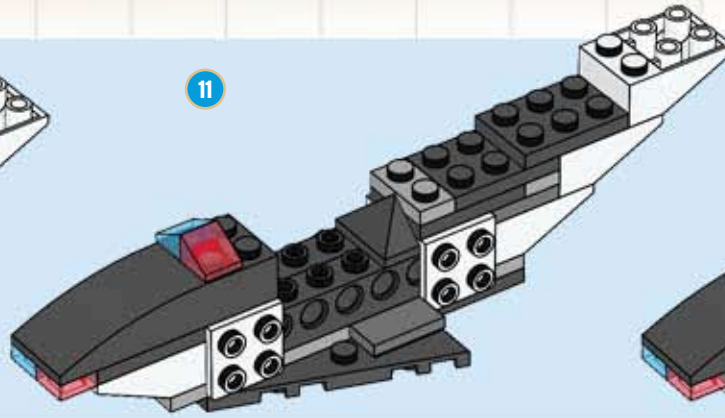


RAPID RESPONDER BUILDING STEPS!

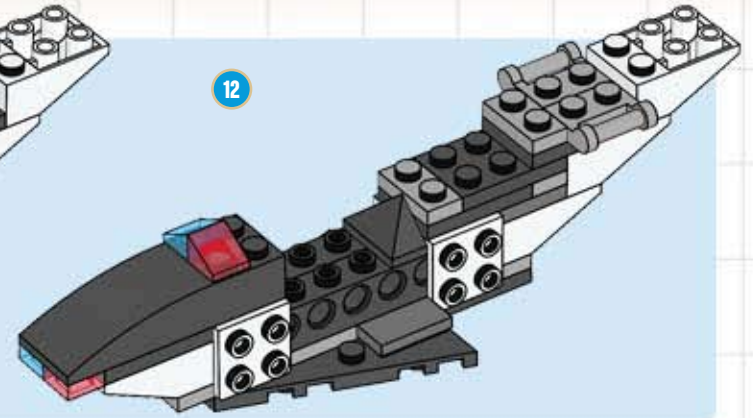
10



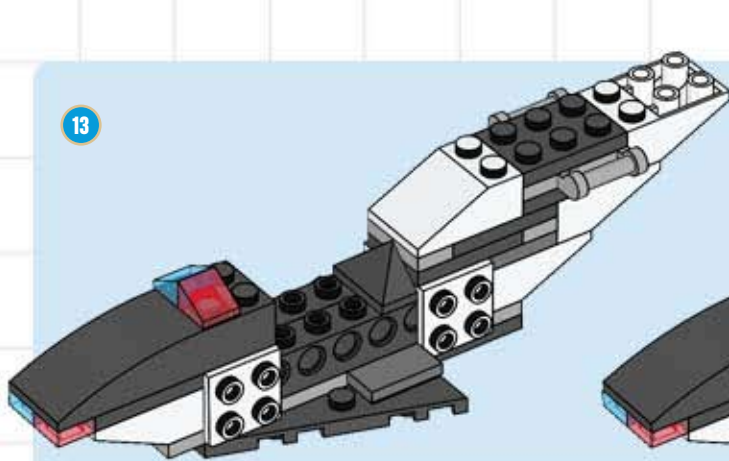
11



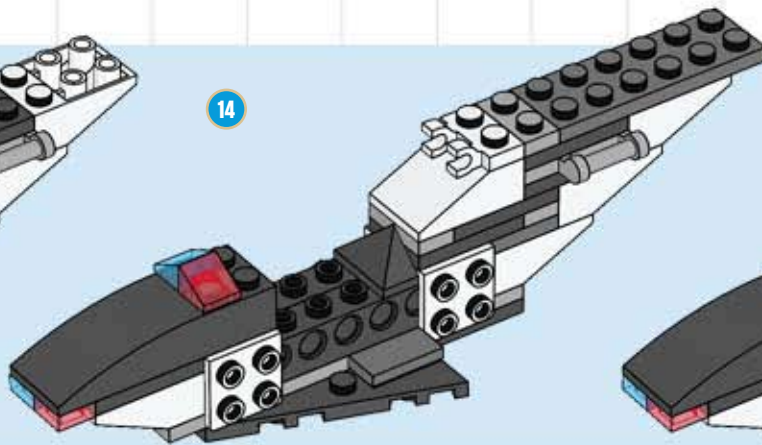
12



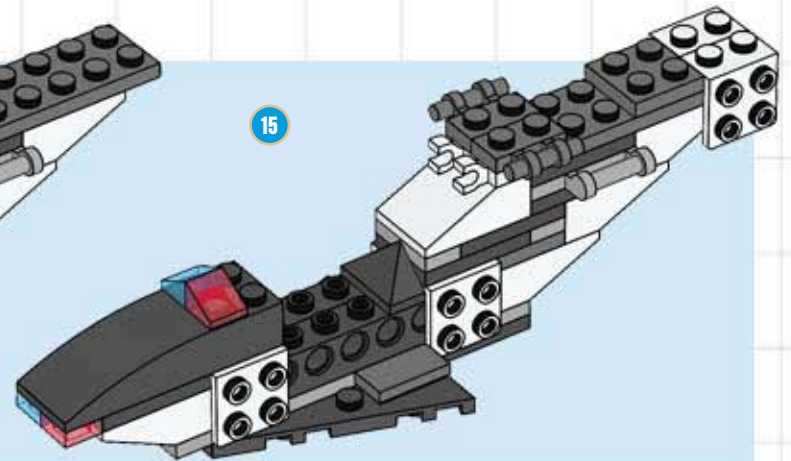
13



14

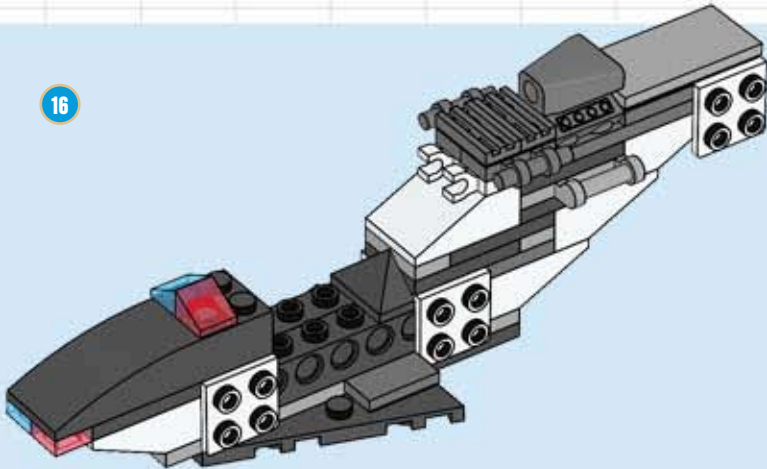


15

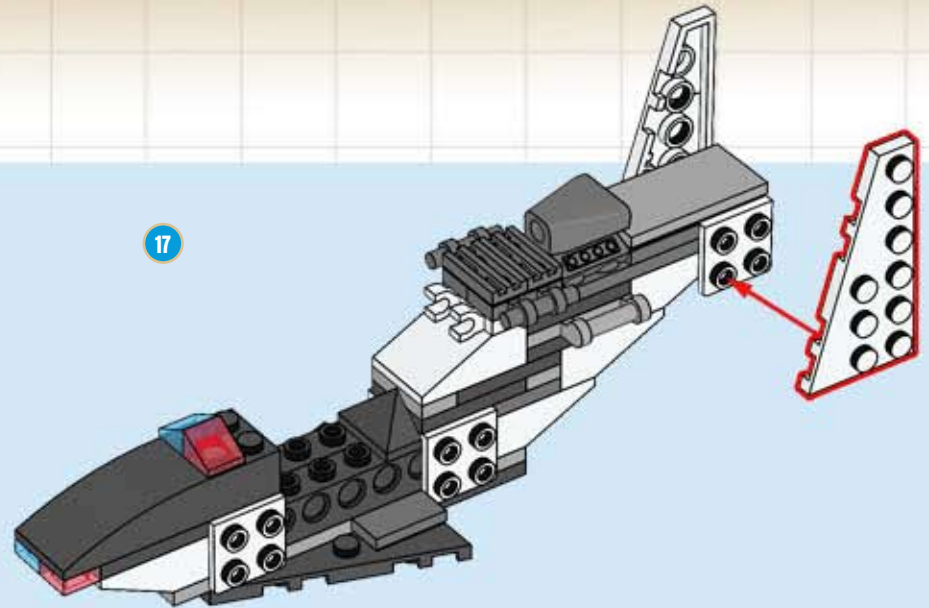


RAPID RESPONDER BUILDING STEPS!

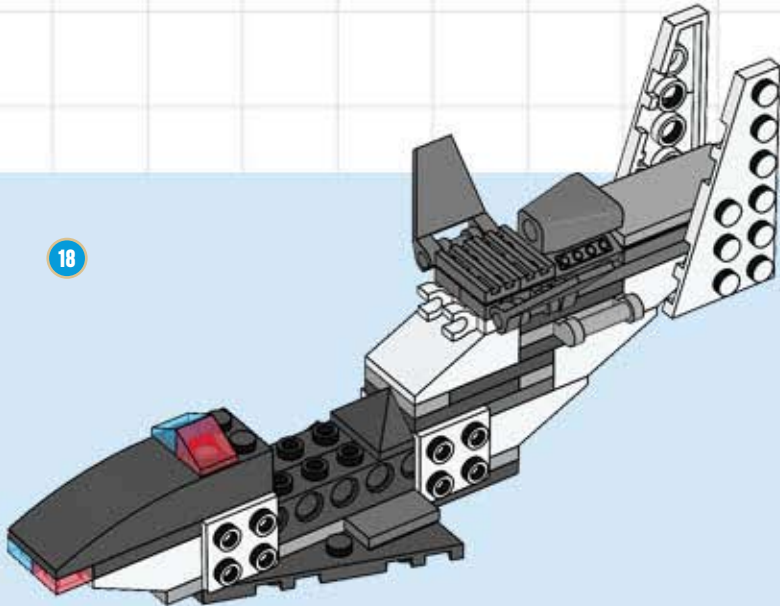
16



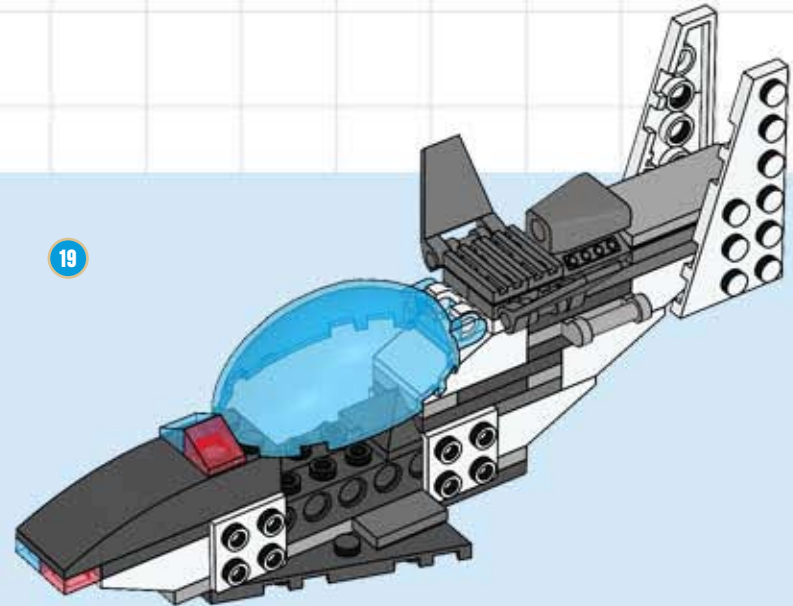
17



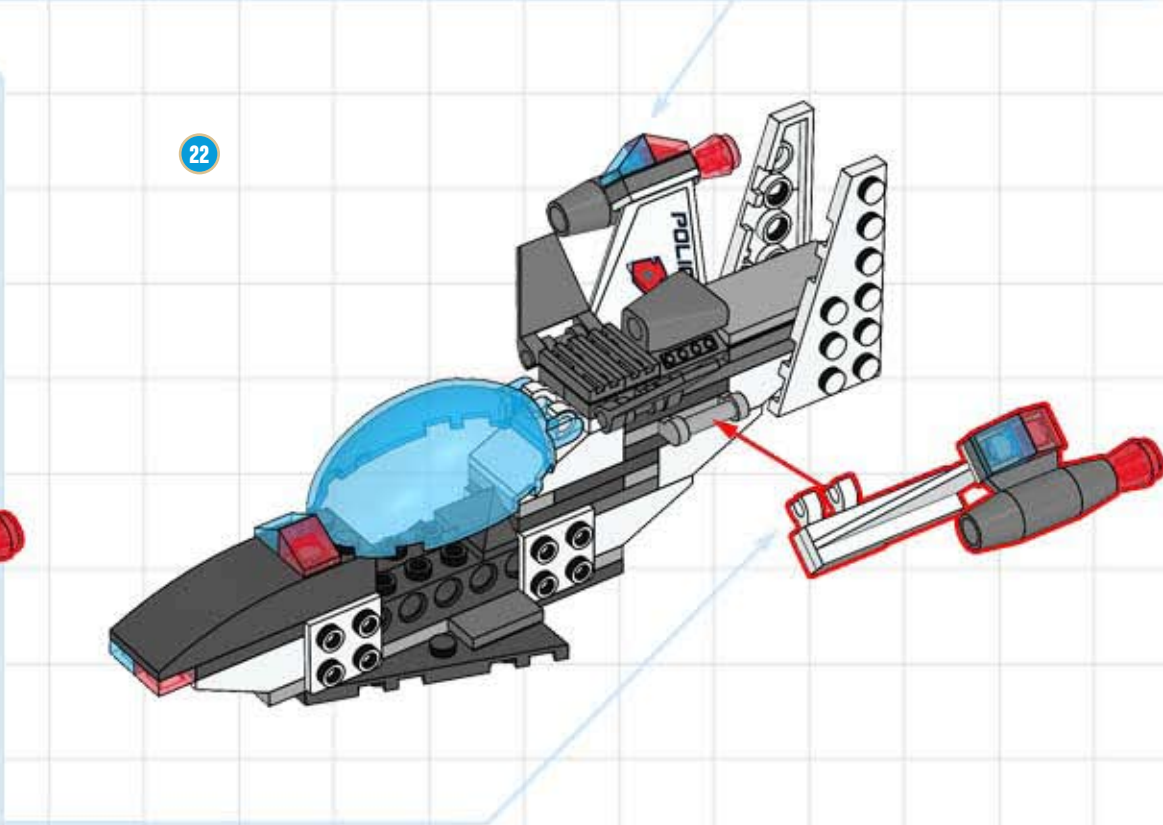
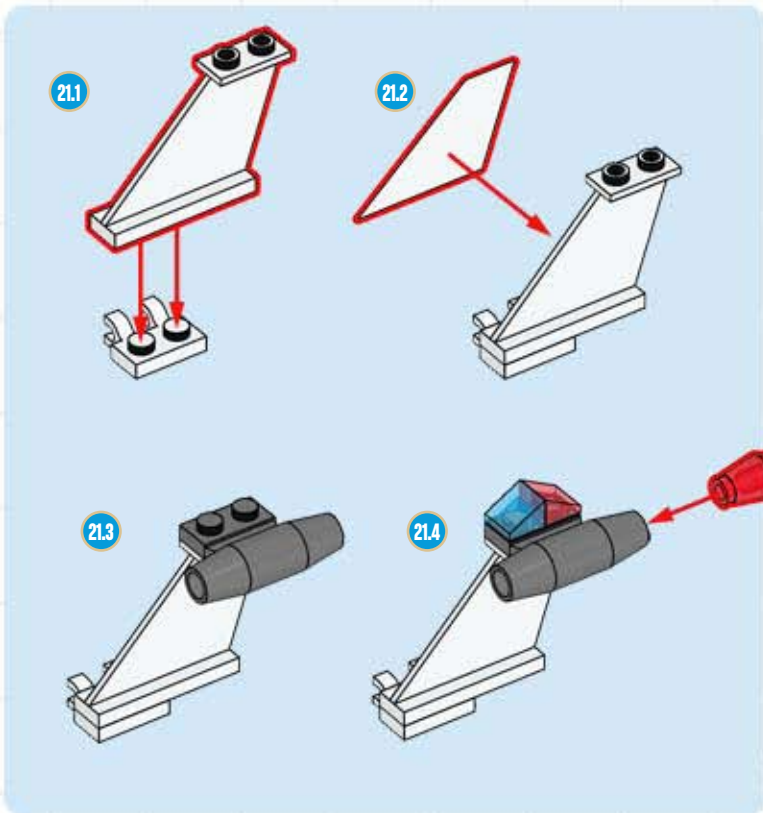
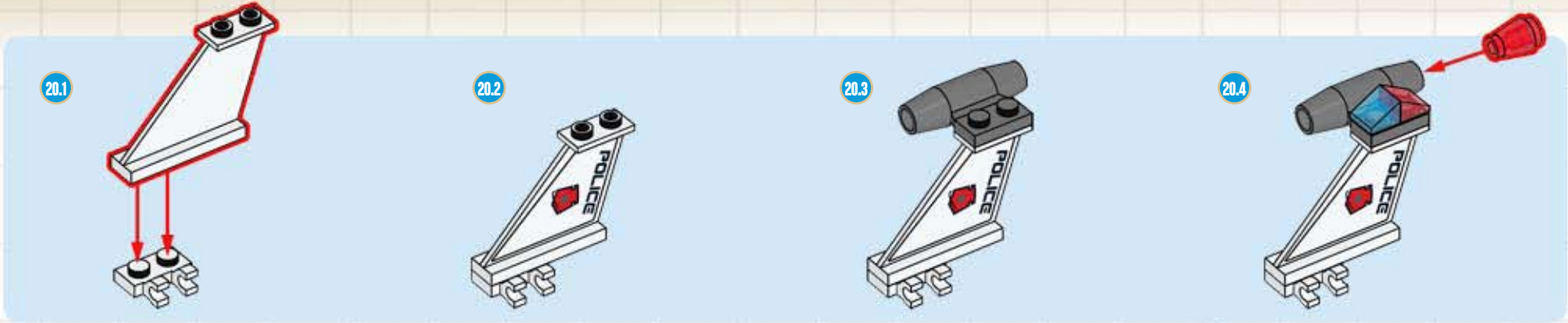
18



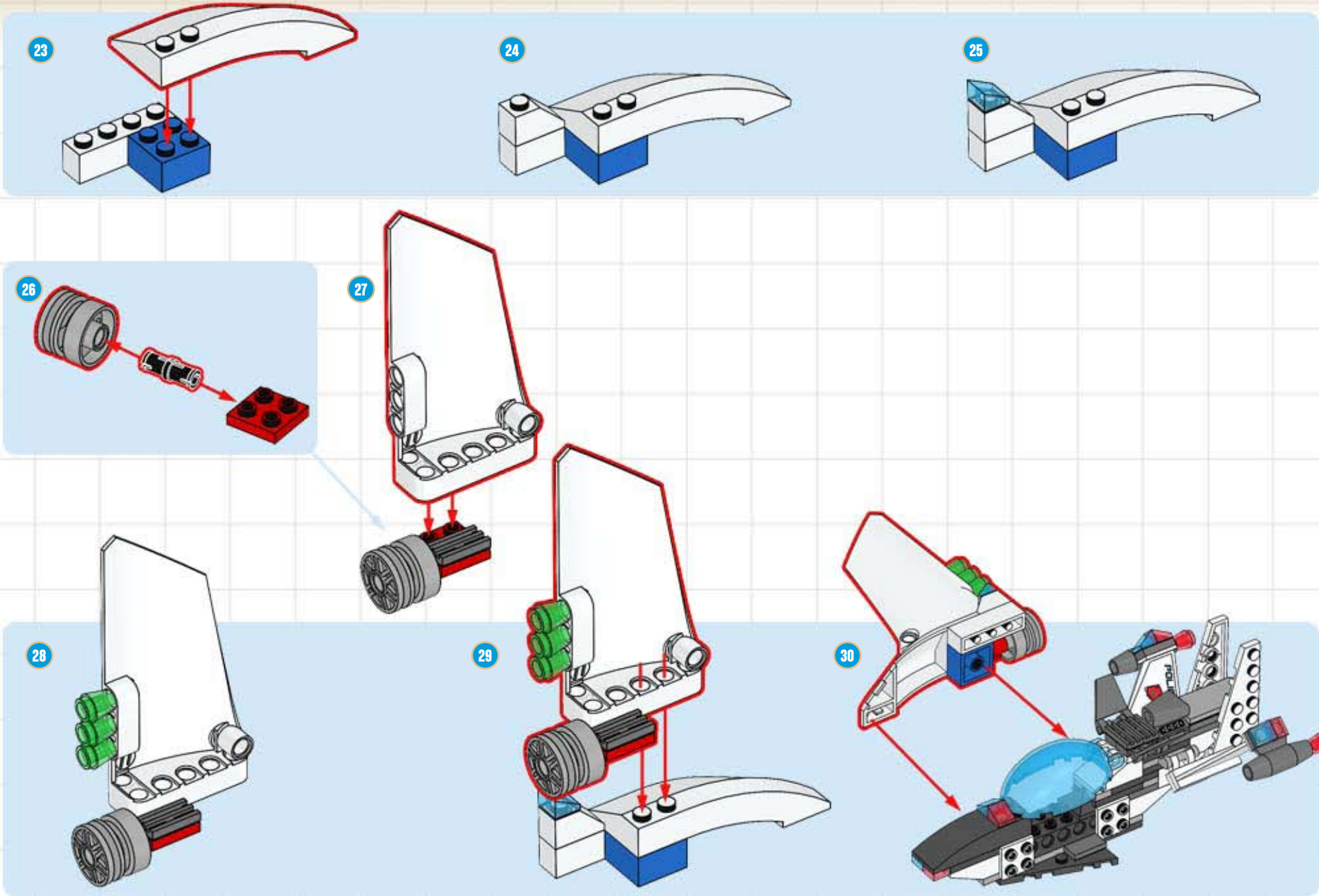
19



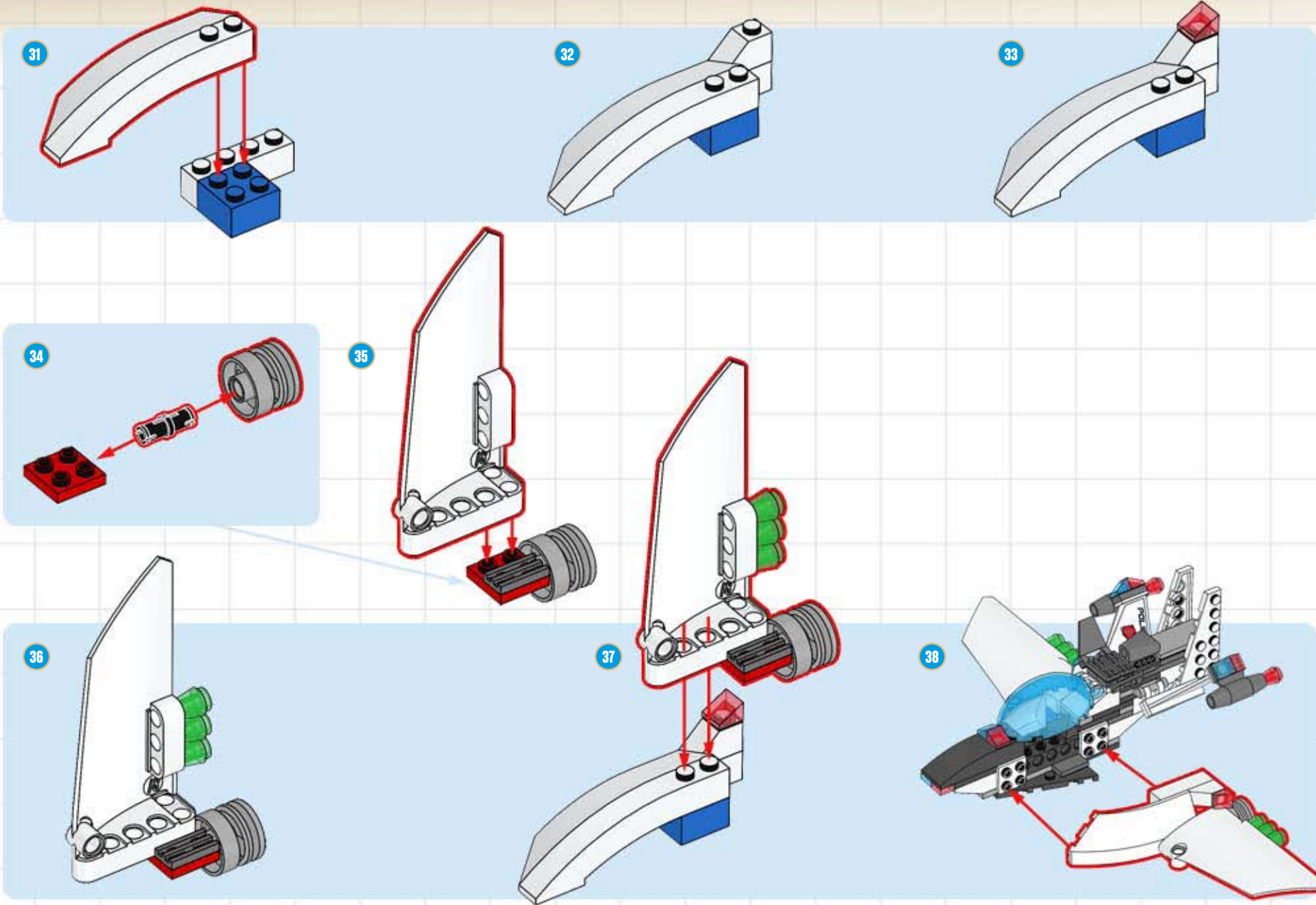
RAPID RESPONDER BUILDING STEPS!



RAPID RESPONDER BUILDING STEPS!



RAPID RESPONDER BUILDING STEPS!



RAPID RESPONDER BUILDING STEPS!

